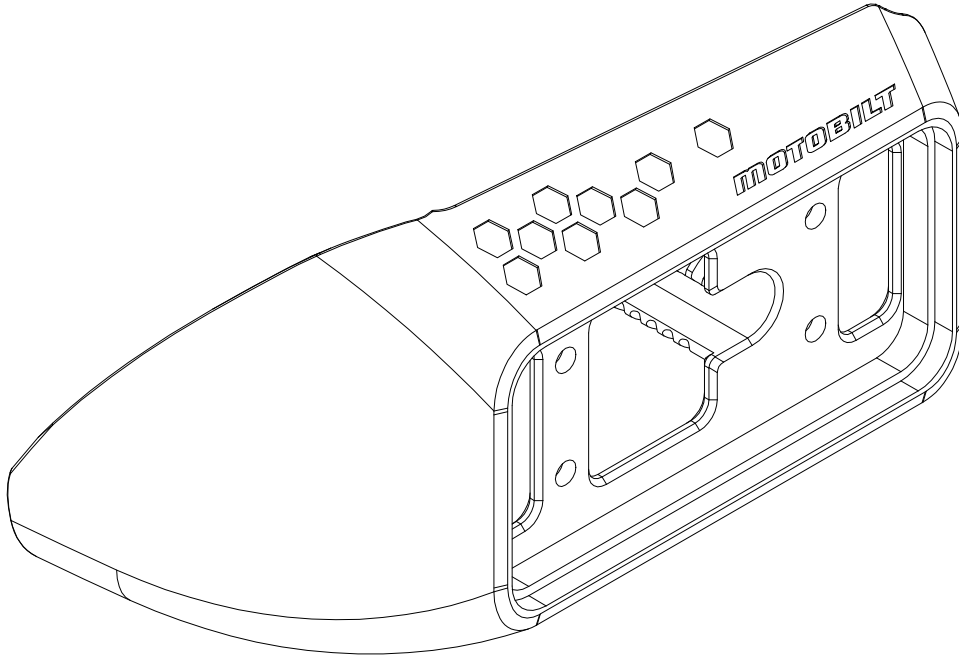


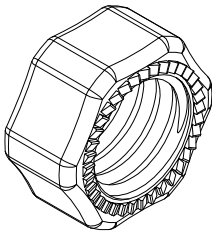
MB8012 - Assembly Instructions Switch Pros Dash Mount for JL/JLU/JT**MB8012 - SWITCH PROS DASH MOUNT FOR JL/JLU/JT**
COMPATIBLE WITH SWITCH PROS SP9100**ASSEMBLY INSTRUCTIONS**

MB8012 - Shipping Switch Pros Dash Mount for JL/JLU/JT

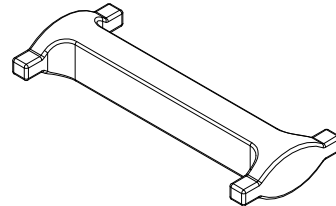
CONTENTS



MB8012-01
Qty 1



MB8012-02
Qty 1

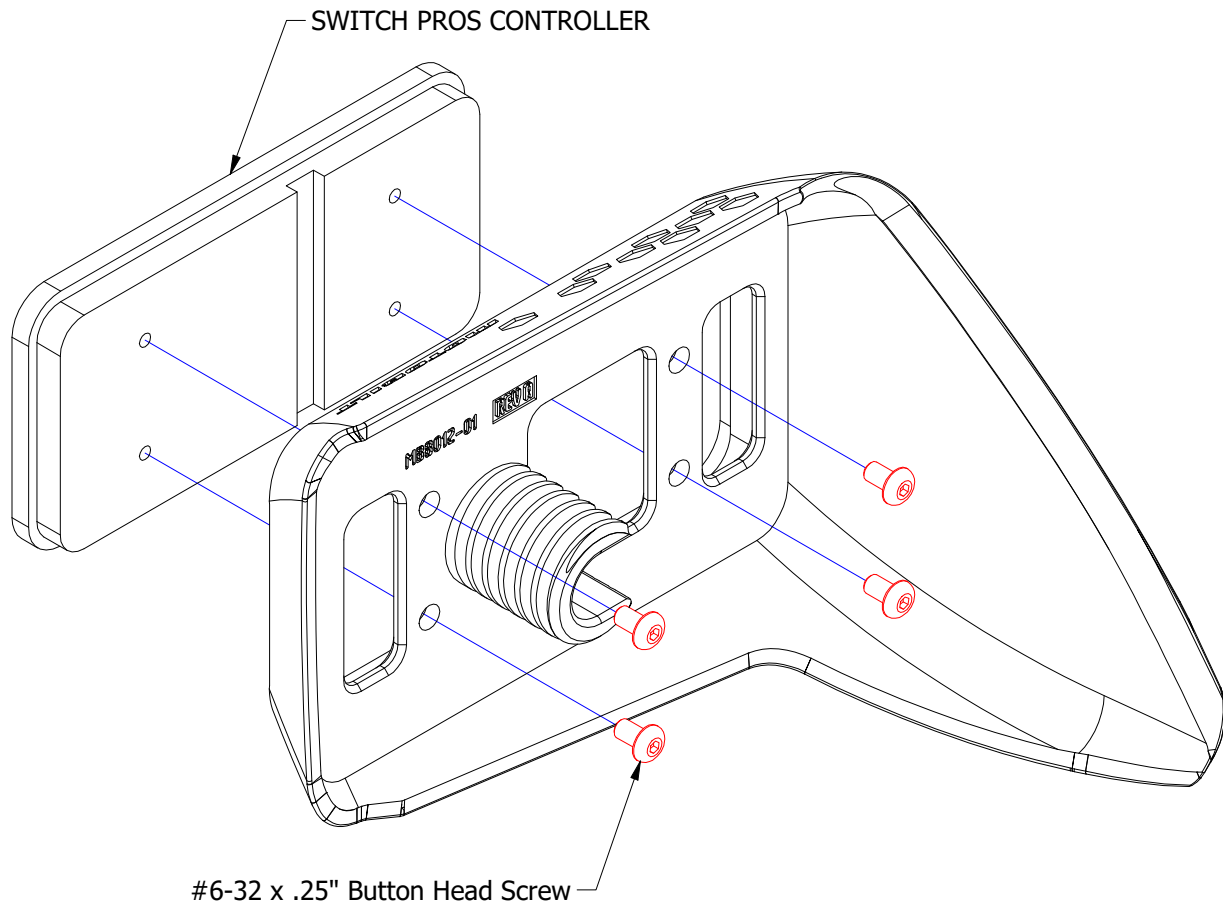


MB8012-03
Qty 1



#6-32 x .25" Button Head Screw
Qty 4

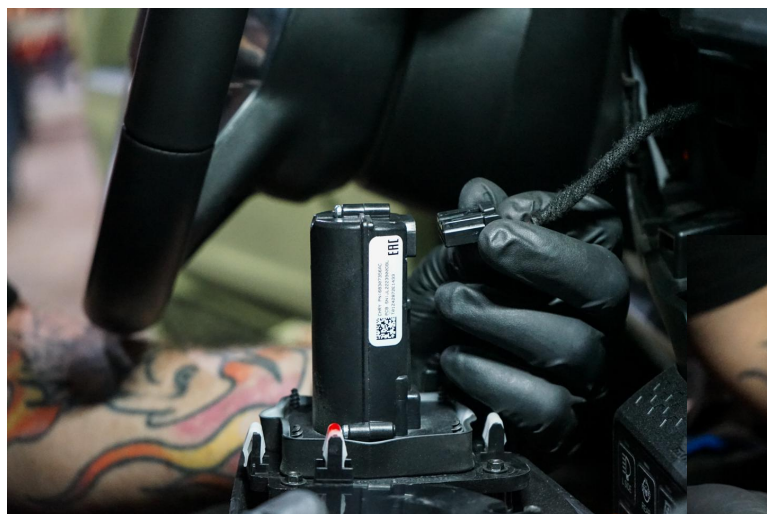
MB8012 - Assembly Instructions Switch Pros Dash Mount for JL/JLU/JT



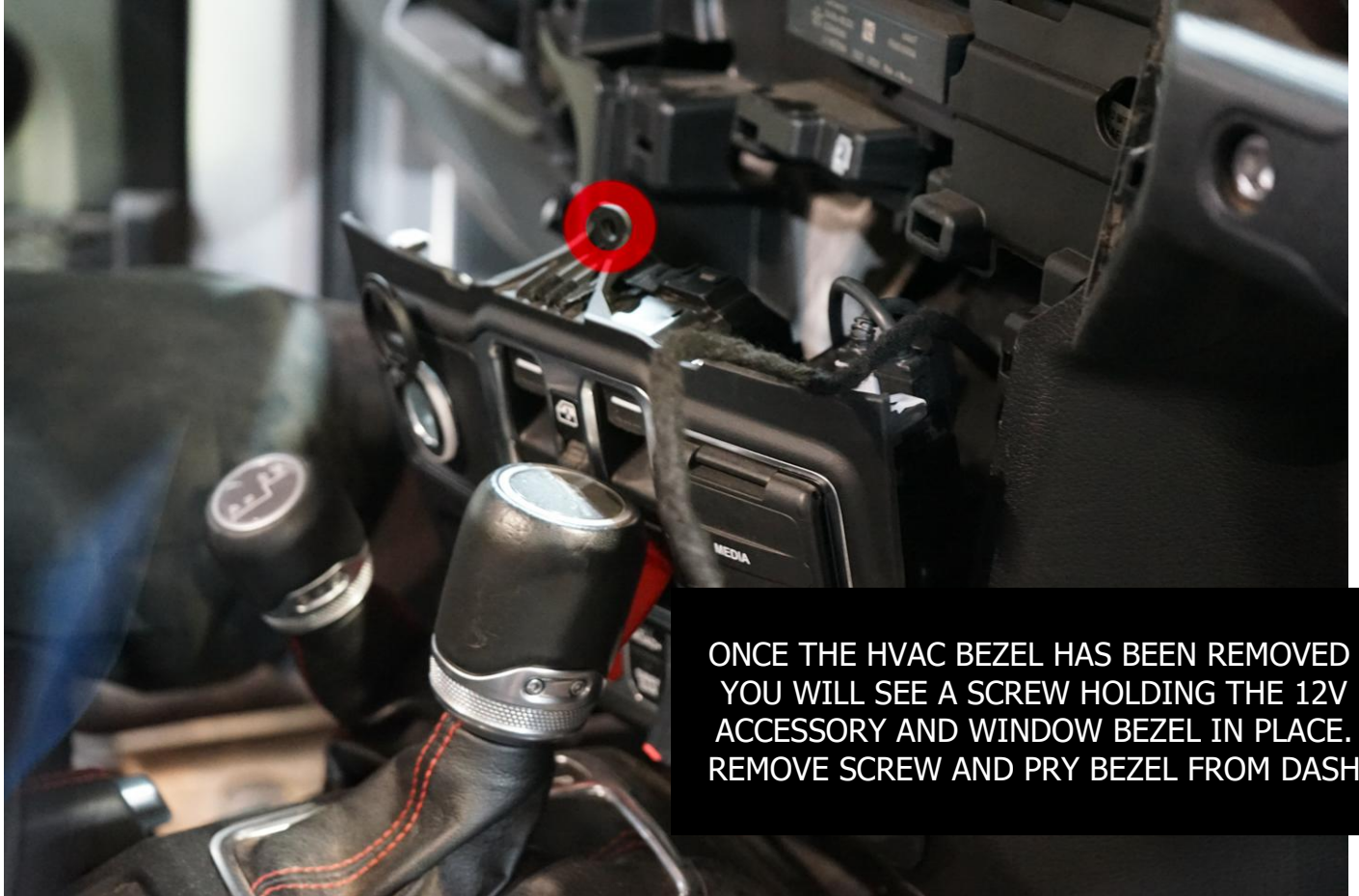
MB8012 - Assembly Instructions Switch Pros Dash Mount for JL/JLU/JT

USING A PLASTIC PRY TOOL AROUND THE OUTSIDE EDGE OF THE BEZEL, RELEASE CLIPS SECURING HVAC BEZEL TO DASH.

DISCONNECT WIRING HARNESSES FROM BEZEL.



MB8012 - Assembly Instructions Switch Pros Dash Mount for JL/JLU/JT



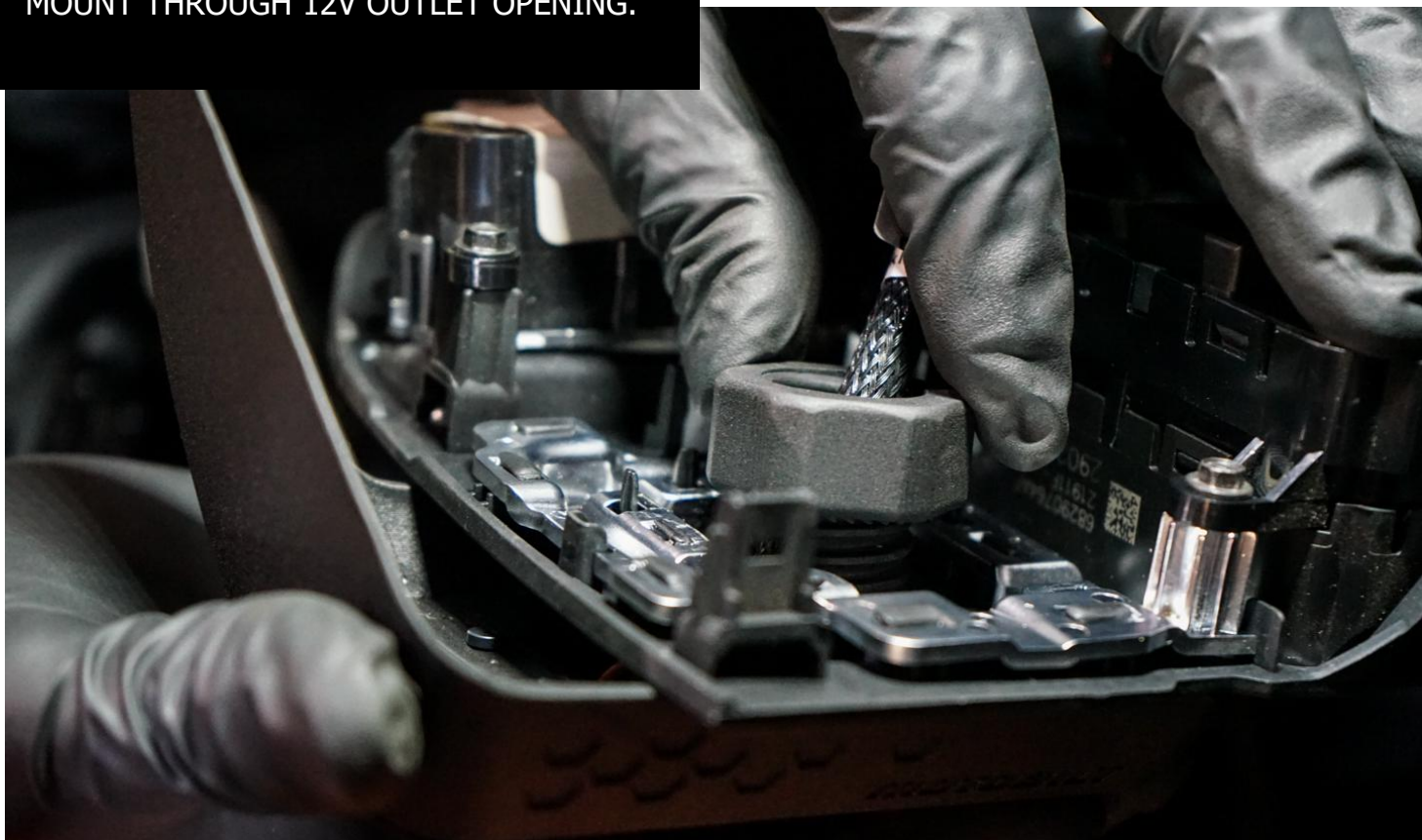
ONCE THE HVAC BEZEL HAS BEEN REMOVED YOU WILL SEE A SCREW HOLDING THE 12V ACCESSORY AND WINDOW BEZEL IN PLACE. REMOVE SCREW AND PRY BEZEL FROM DASH

INSERT MB8012-03 INTO 12V OUTLET. ALIGN TOOL TO THE 1/8" TH NOTCH, THEN LEVER INTO POSITION TO UNCLIP THE INTERNAL METAL HOUSING.
DO NOT PULL ON TOOL, PUSH OUT METAL HOUSING



MB8012 - Assembly Instructions Switch Pros Dash Mount for JL/JLU/JT

ROUTE WIRES THROUGH 12V OUTLET OPENING AND MOUNTING NUT. TIGHTEN NUT SECURING MOUNT THROUGH 12V OUTLET OPENING.



MB8012 - Assembly Instructions Switch Pros Dash Mount for JL/JLU/JT

**REINSTALL DASH AND RECONNECT
ALL HARNESS PLUGS**