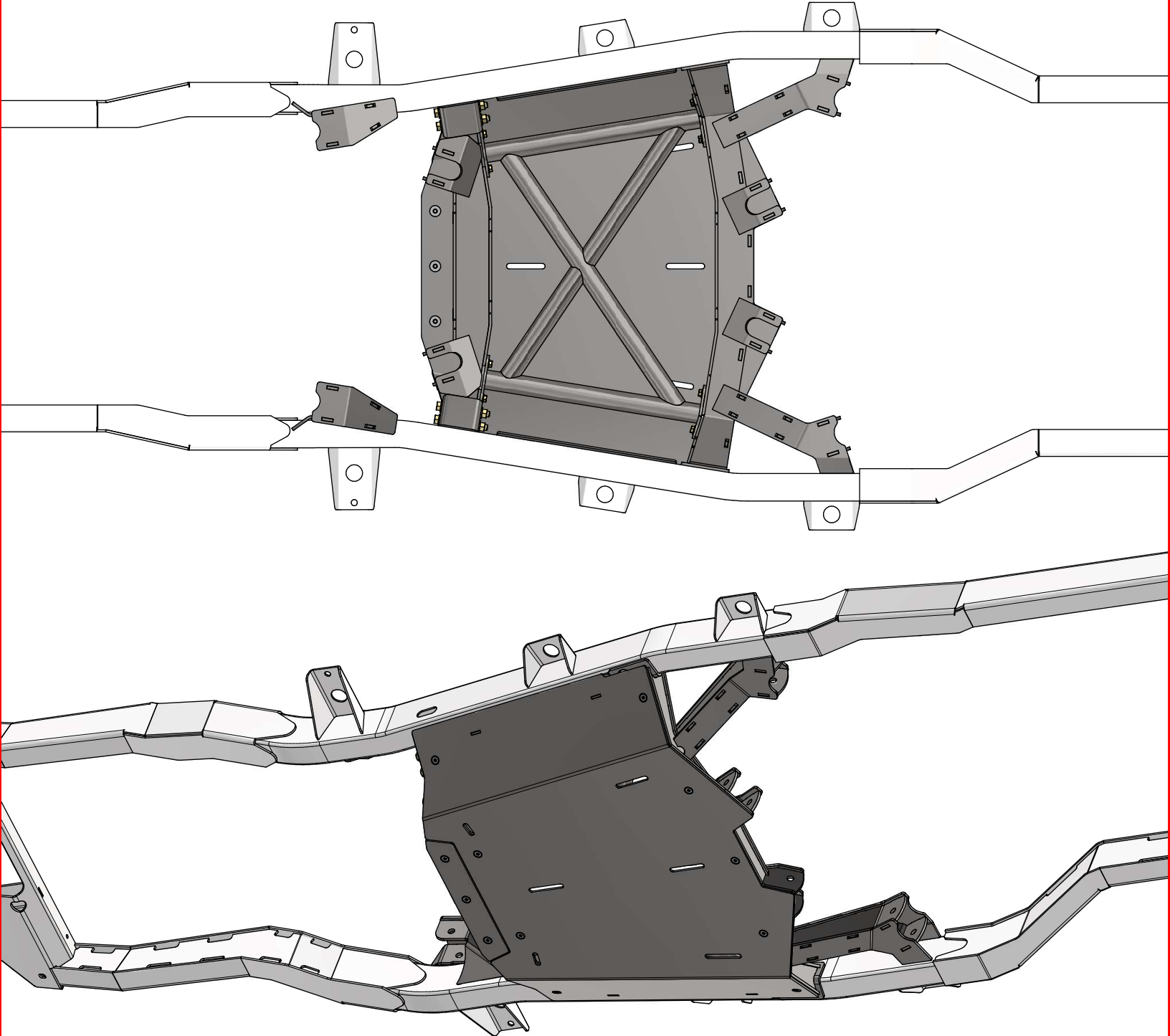


MB7009 - Assembly Instructions YJ/TJ/LJ 4 Link Suspension Mounts

MB7009 - DOUBLE TRIANGULATED 4 LINK SUSPENSION MOUNTS

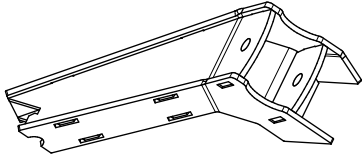
COMPATIBLE WITH JEEP YJ/TJ/LJ



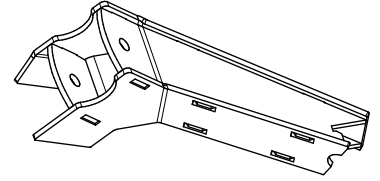
ASSEMBLY INSTRUCTIONS

MB7009 - Assembly Instructions YJ/TJ/LJ 4 Link Suspension Mounts

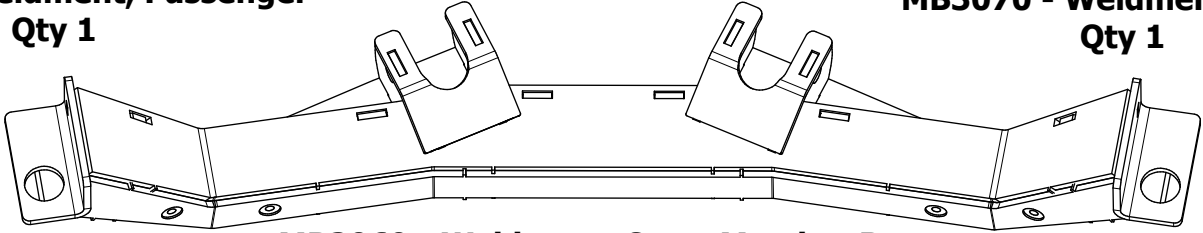
CONTENTS



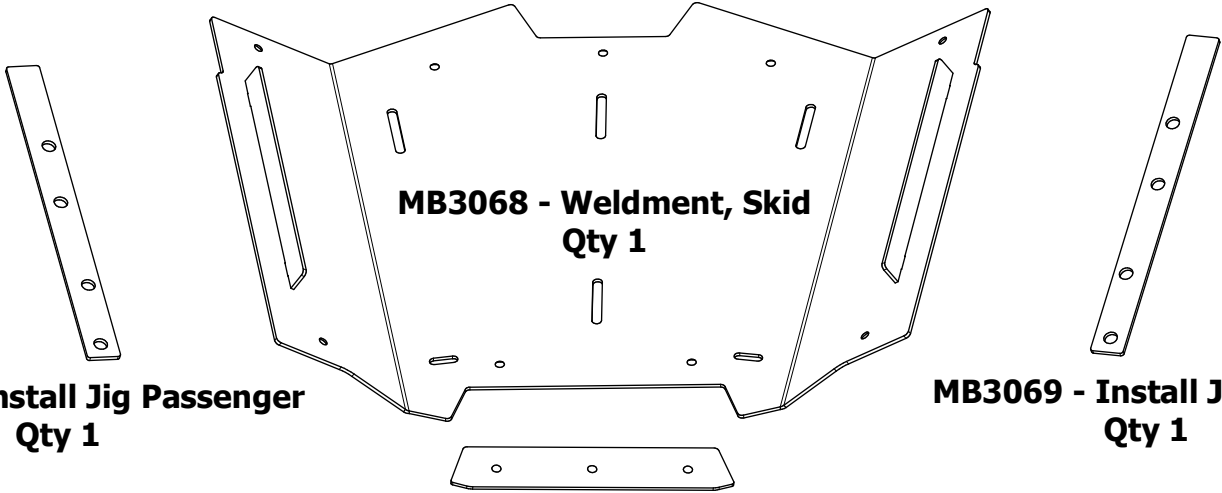
MB3070 - Weldment, Passenger
Qty 1



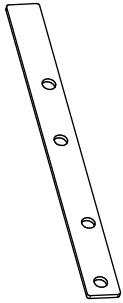
MB3070 - Weldment, Driver
Qty 1



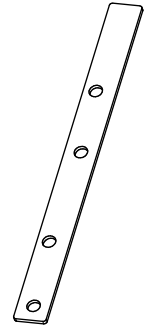
MB3069 - Weldment, Cross Member Rear
Qty 1



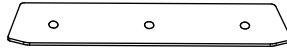
MB3068 - Weldment, Skid
Qty 1



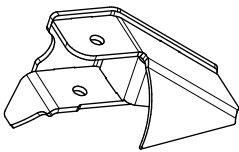
MB3069 - Install Jig Passenger
Qty 1



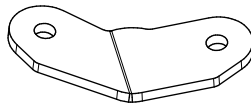
MB3069 - Install Jig Driver
Qty 1



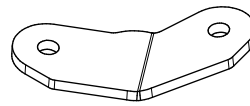
MB3068-03
Qty 1



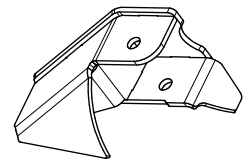
MB3072 - Weldment, Passenger
Qty 1



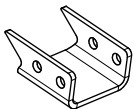
MB3073-01_MIR
Qty 1



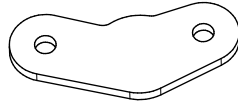
MB3073-01
Qty 1



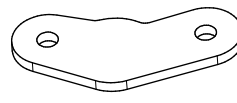
MB3072 - Weldment, Driver
Qty 1



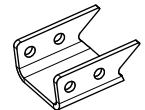
MB3071-10_MIR
Qty 1



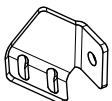
MB3073-02_MIR
Qty 1



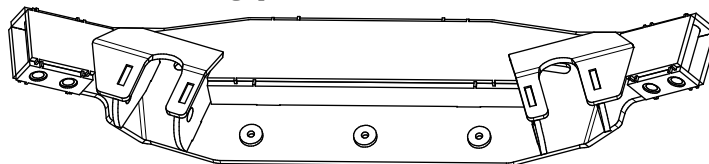
MB3073-02
Qty 1



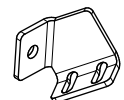
MB3071-10
Qty 1



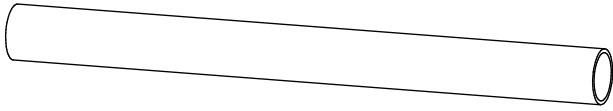
MB3071-11
Qty 1



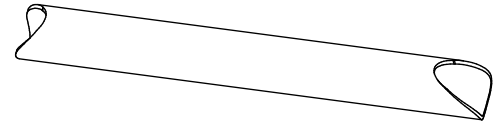
MB3071 - Weldment, Cross Member Front
Qty 1



MB3071-11_MIR
Qty 1

MB7009 - Assembly Instructions YJ/TJ/LJ 4 Link Suspension Mounts**CONTENTS**

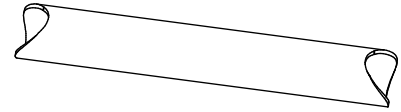
MB3073 - Tube 01
Qty 2



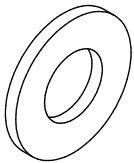
MB3073 - Tube 03
Qty 1



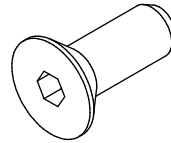
MB3073 - Tube 02
Qty 1



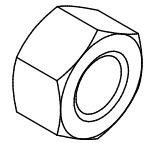
MB3073 - Tube 04
Qty 1



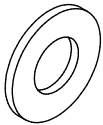
Flat Washer
1/2"
Qty 8



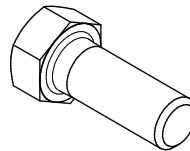
Countersunk Screw, Stainless
3/8"-16 UNC x 1.00" Long
Qty 12



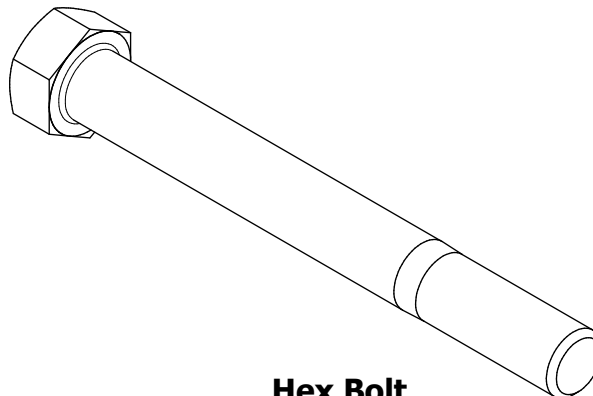
Nylock Nut
1/2"-13 UNC
Qty 4



Flat Washer
3/8"
Qty 8



Hex Bolt
3/8"-16 UNC x 1.00" Long
Qty 8

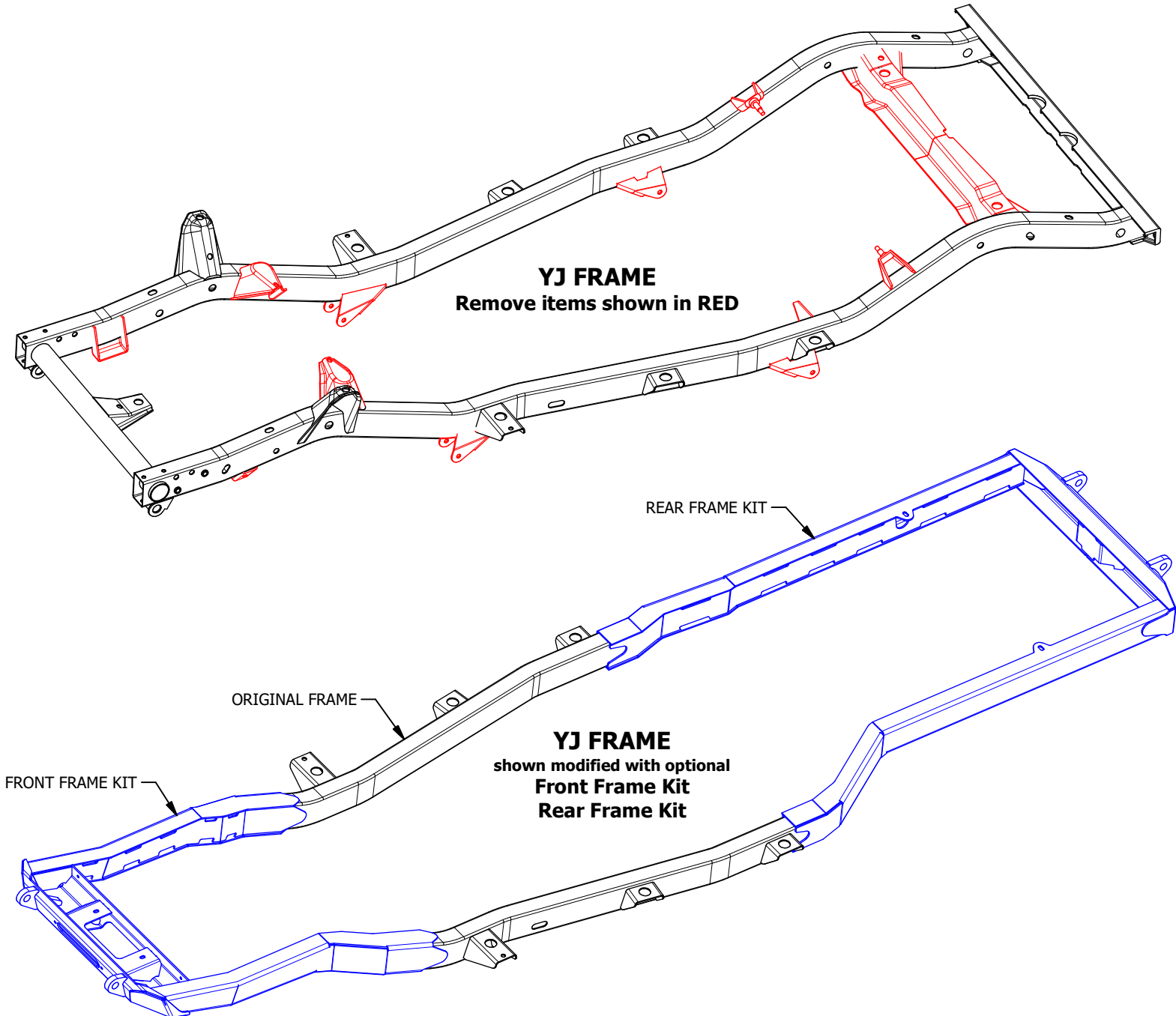


Hex Bolt
1/2"-13 UNC x 4.50" Long
Qty 4

MB7009 - Assembly Instructions YJ/TJ/LJ 4 Link Suspension Mounts**ASSEMBLY - STEP 1****NOTE:**

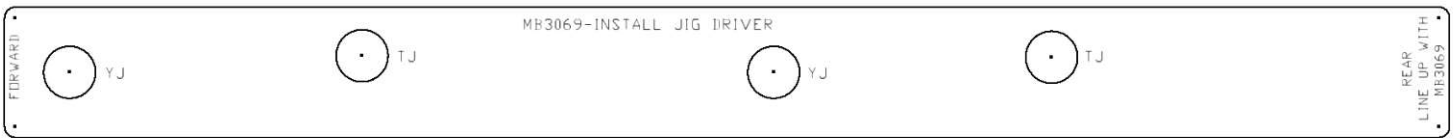
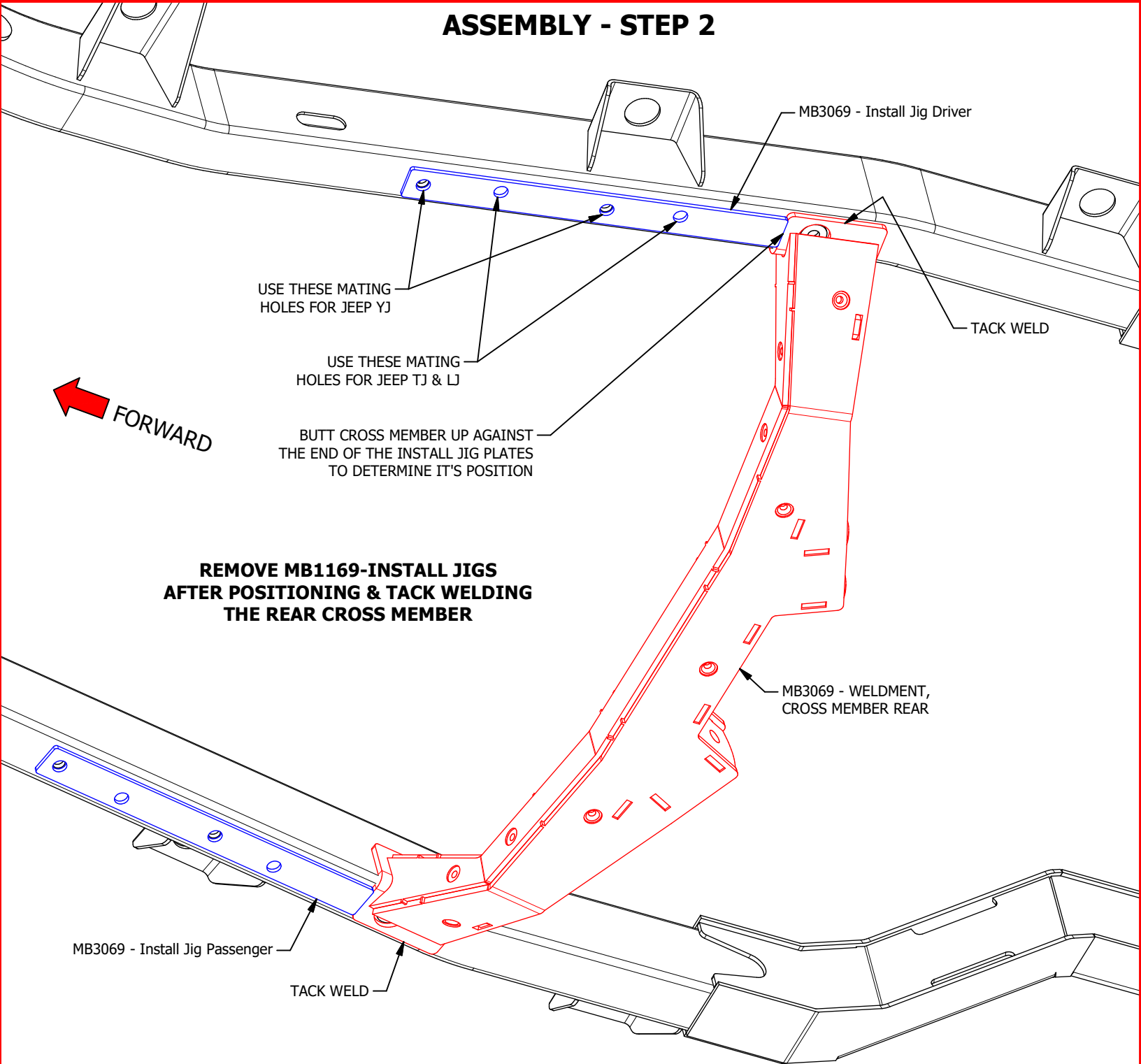
The factory frames of Jeep YJ, TJ & LJ are very similar. This MB7009 works with Jeep YJ, TJ & LJ.

For the purposes of these assembly instructions, we show views with a YJ frame that has been modified with the addition of front & rear half frame kits. You do NOT have to install the Motobilt front & rear half frame kits in order to install the MB7009 kit, however, the function of installing a triangulated 4 link suspension system is typically to stretch the front axle forward & the rear axle rearward thereby increasing your wheelbase, which is what our front & rear frame kits provide. Our optional front & rear frame kits are available for Jeep YJ, TJ & LJ with various stretch options.



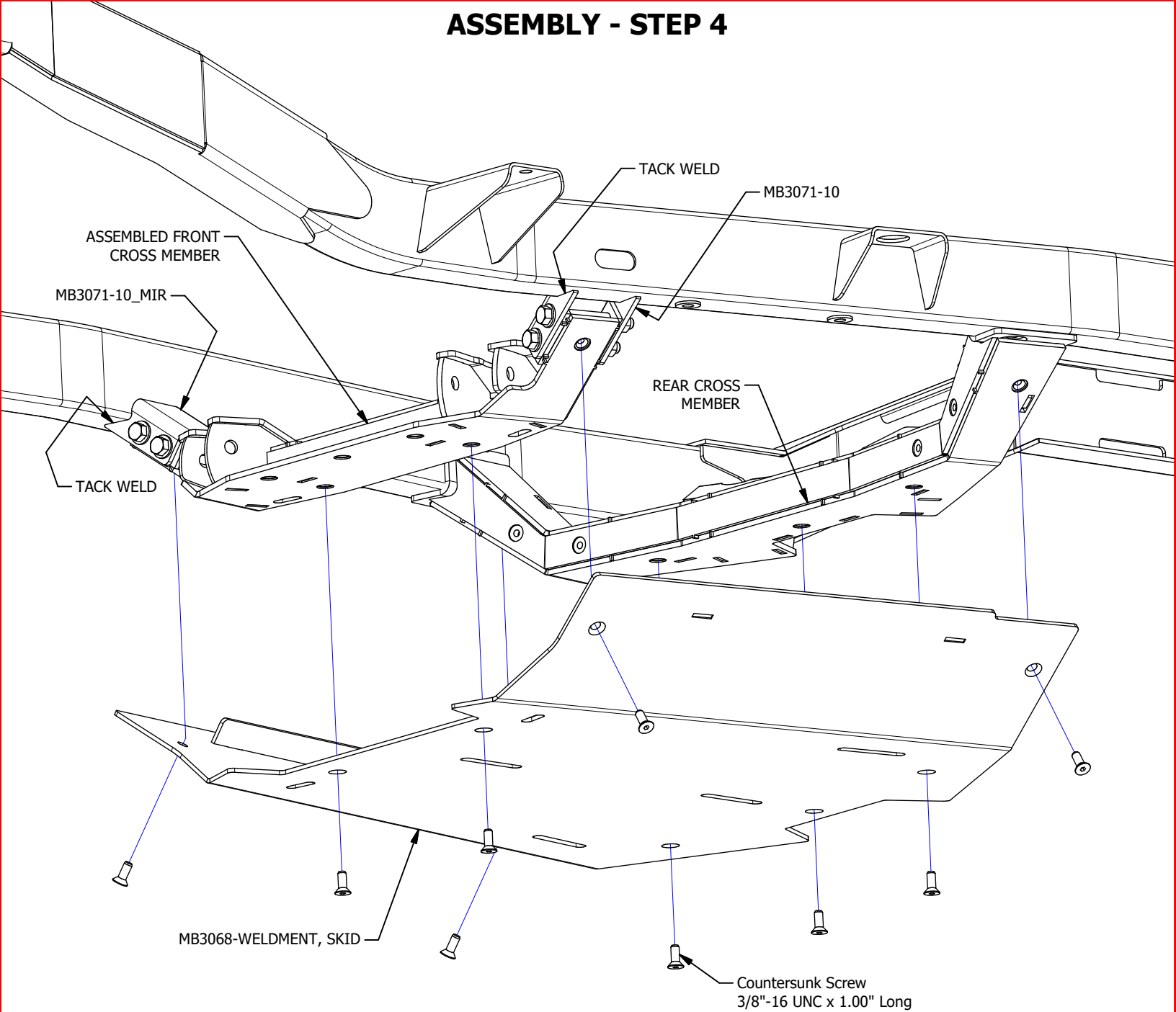
MB7009 - Assembly Instructions YJ/TJ/LJ 4 Link Suspension Mounts

ASSEMBLY - STEP 2



MB7009 - Assembly Instructions YJ/TJ/LJ 4 Link Suspension Mounts

ASSEMBLY - STEP 4

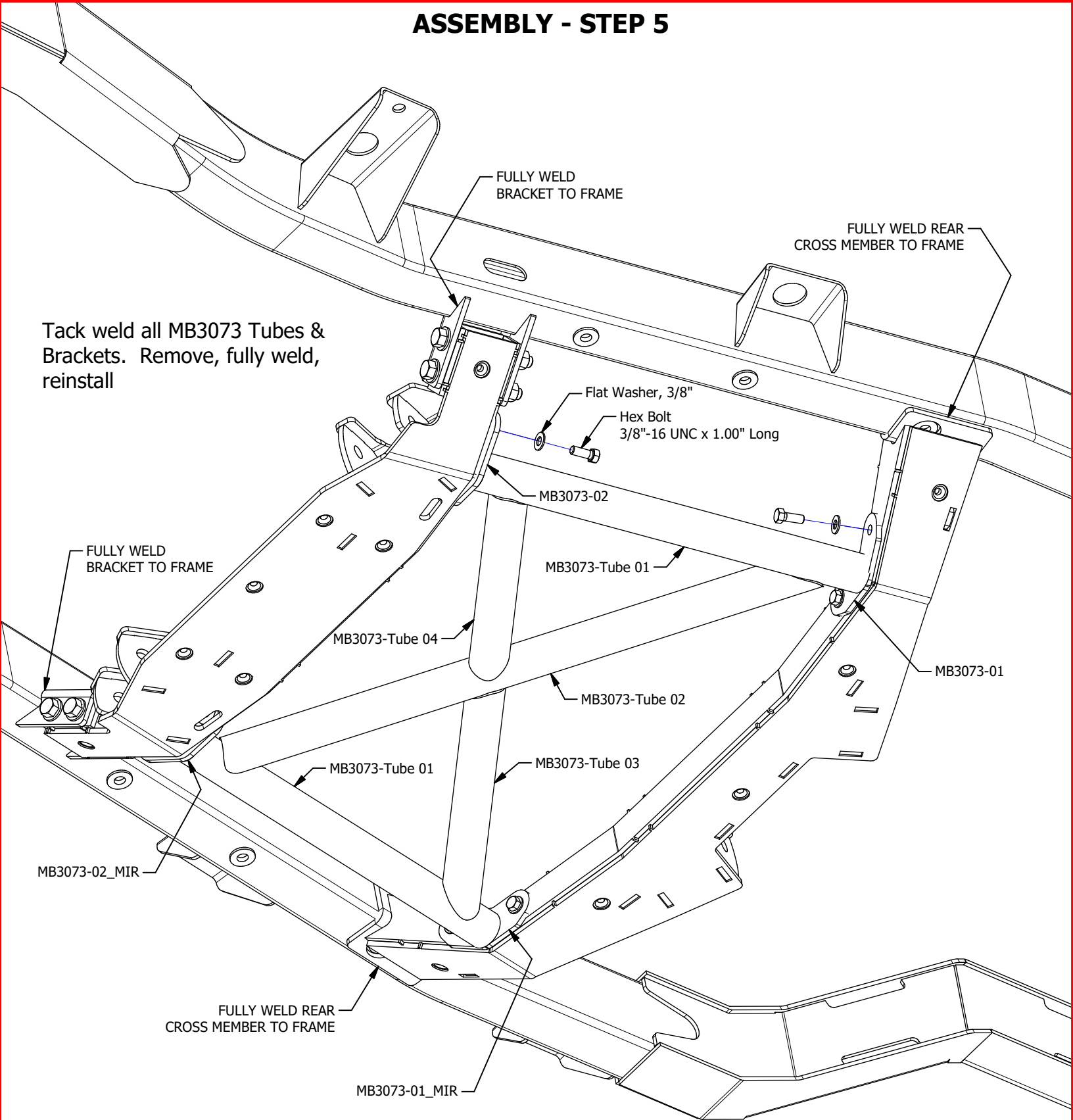


1. Bolt the assembled front cross member to the skid.
2. Raise the skid with the assembled front cross member & bolt to the rear cross member.
3. Ensure Brackets MB3071-10 & MB3071-10_MIR wrap around the shape of the underside of the frame.
2. Tack weld brackets MB3071-10 & MB3071-10_MIR to vehicle frame.
3. Remove skid. Keep Front Cross Member bolted into position.

MB7009 - Assembly Instructions YJ/TJ/LJ 4 Link Suspension Mounts

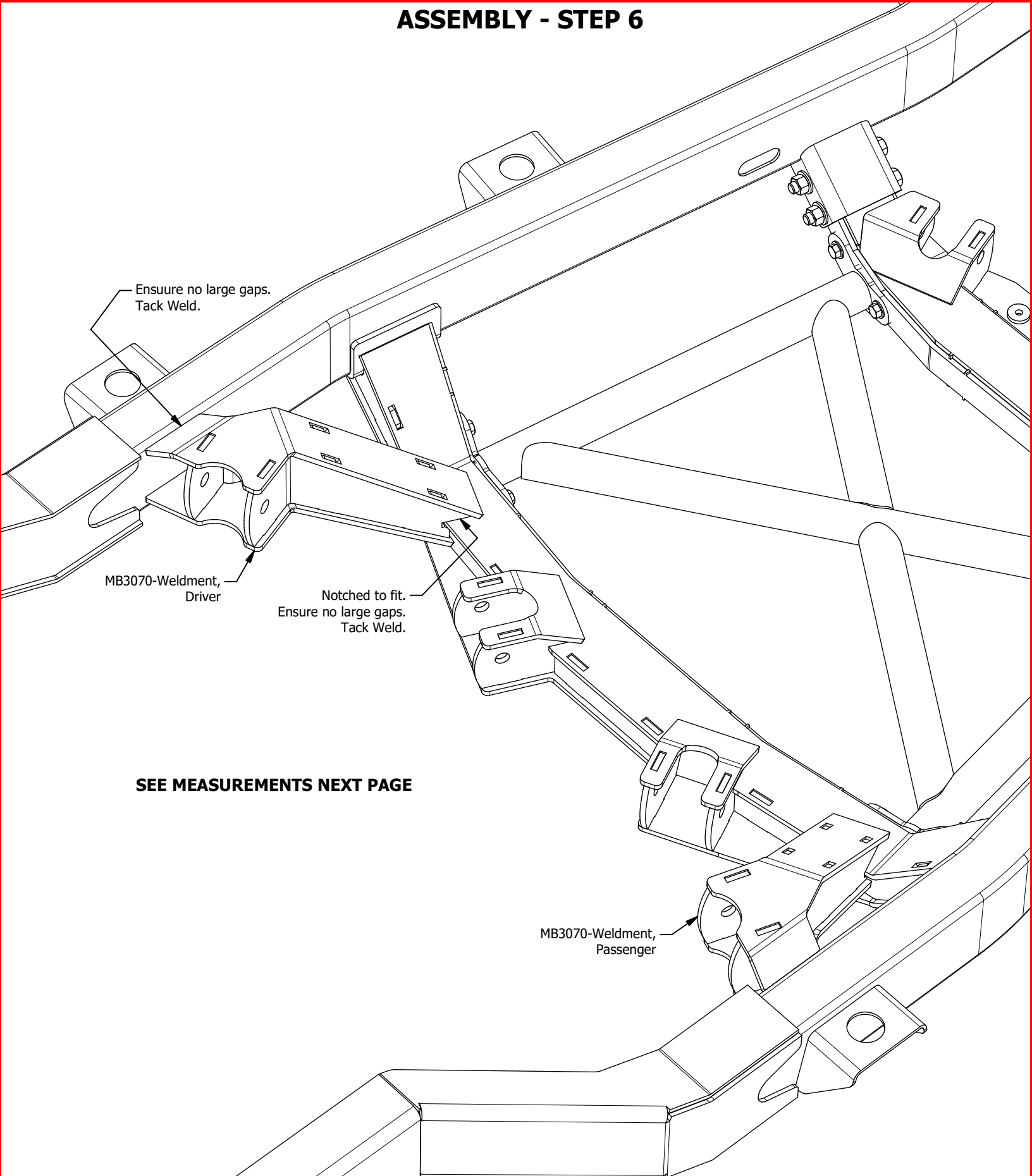
ASSEMBLY - STEP 5

Tack weld all MB3073 Tubes & Brackets. Remove, fully weld, reinstall



MB7009 - Assembly Instructions YJ/TJ/LJ 4 Link Suspension Mounts

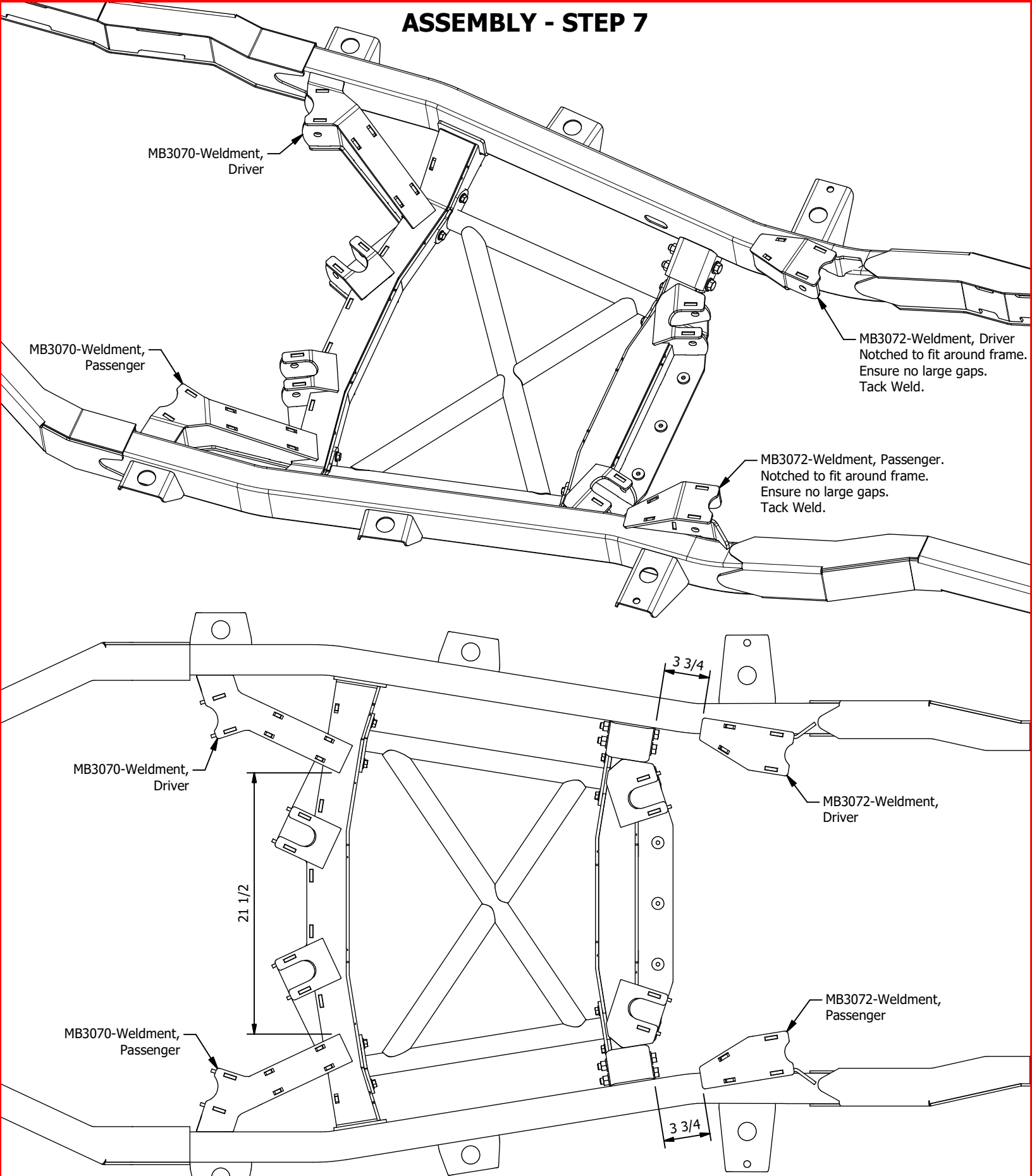
ASSEMBLY - STEP 6

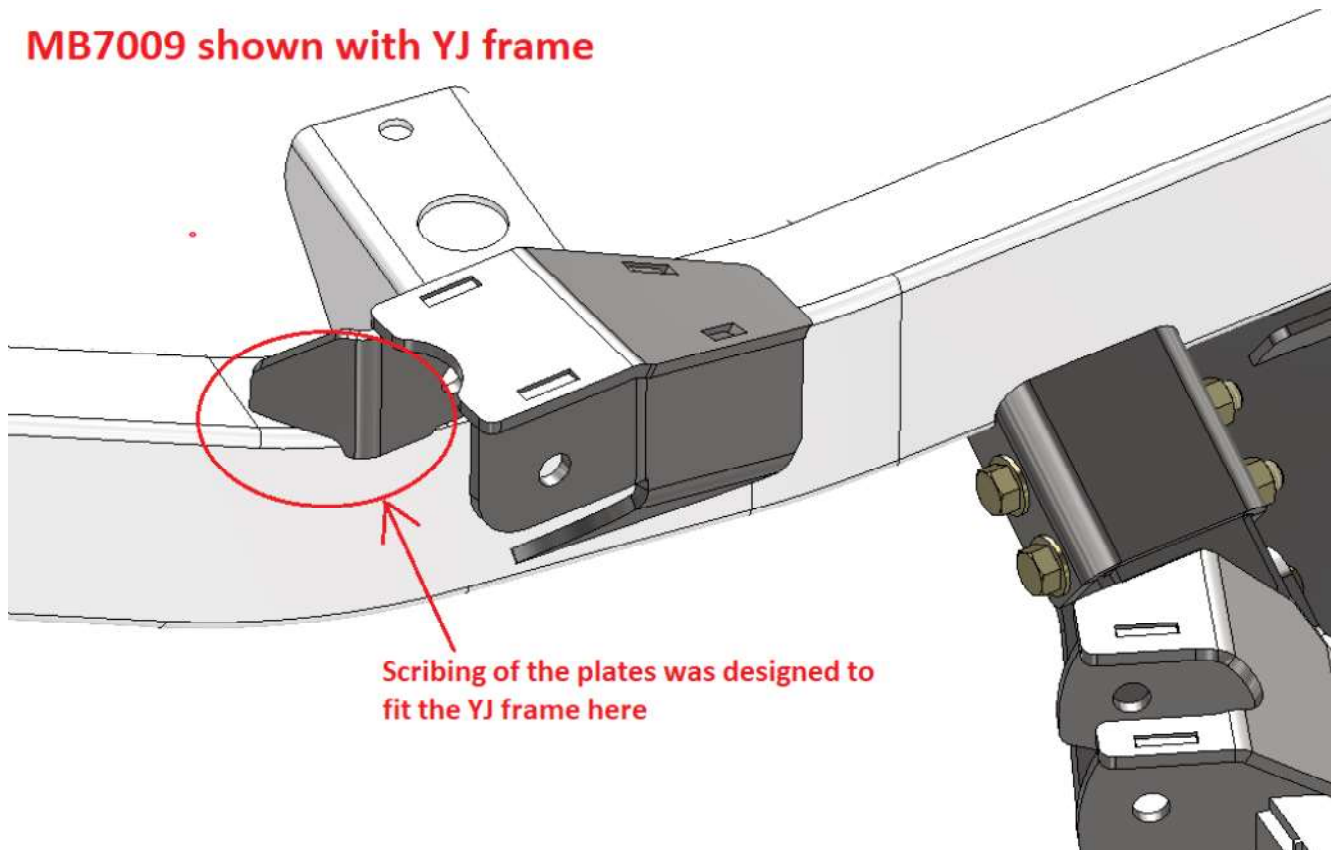


SEE MEASUREMENTS NEXT PAGE

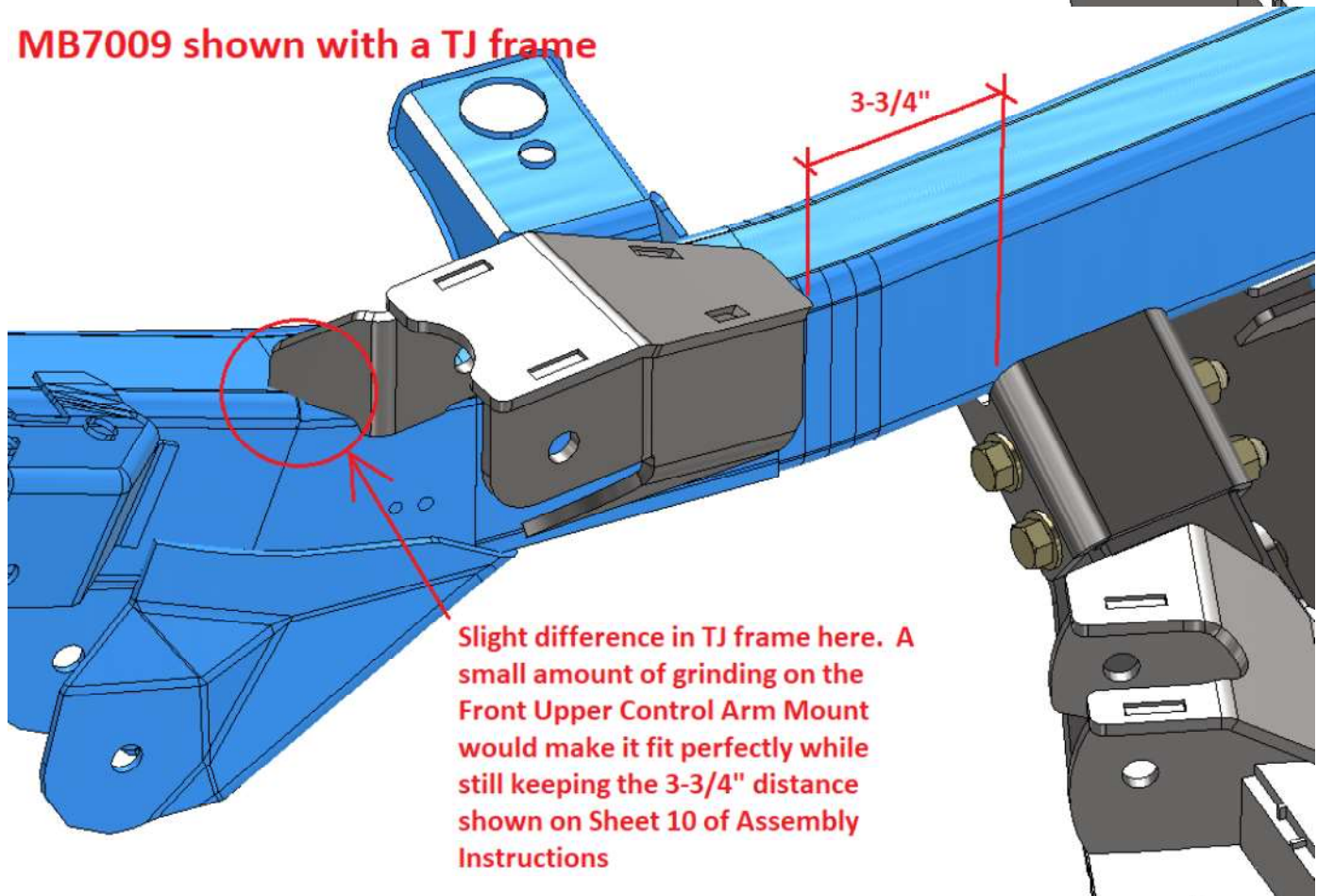
MB7009 - Assembly Instructions YJ/TJ/LJ 4 Link Suspension Mounts

ASSEMBLY - STEP 7

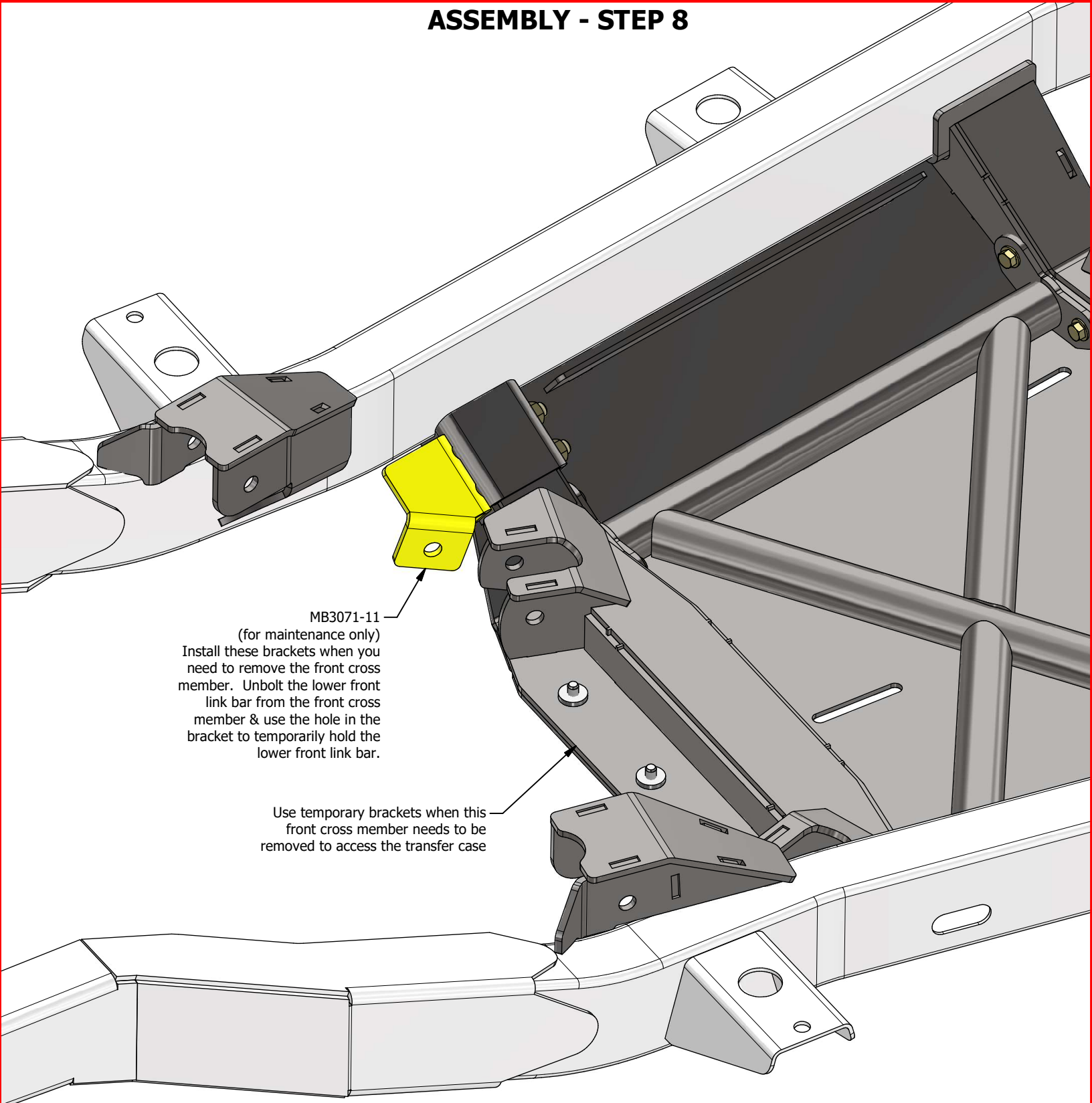


MB7009 - Assembly Instructions YJ/TJ/LJ 4 Link Suspension Mounts**DIFFERENCES IN YJ & TJ FRAMES****MB7009 shown with YJ frame**

Scribing of the plates was designed to fit the YJ frame here

MB7009 shown with a TJ frame

Slight difference in TJ frame here. A small amount of grinding on the Front Upper Control Arm Mount would make it fit perfectly while still keeping the 3-3/4" distance shown on Sheet 10 of Assembly Instructions

MB7009 - Assembly Instructions YJ/TJ/LJ 4 Link Suspension Mounts**ASSEMBLY - STEP 8**

MB3071-11
(for maintenance only)
Install these brackets when you
need to remove the front cross
member. Unbolt the lower front
link bar from the front cross
member & use the hole in the
bracket to temporarily hold the
lower front link bar.

Use temporary brackets when this
front cross member needs to be
removed to access the transfer case