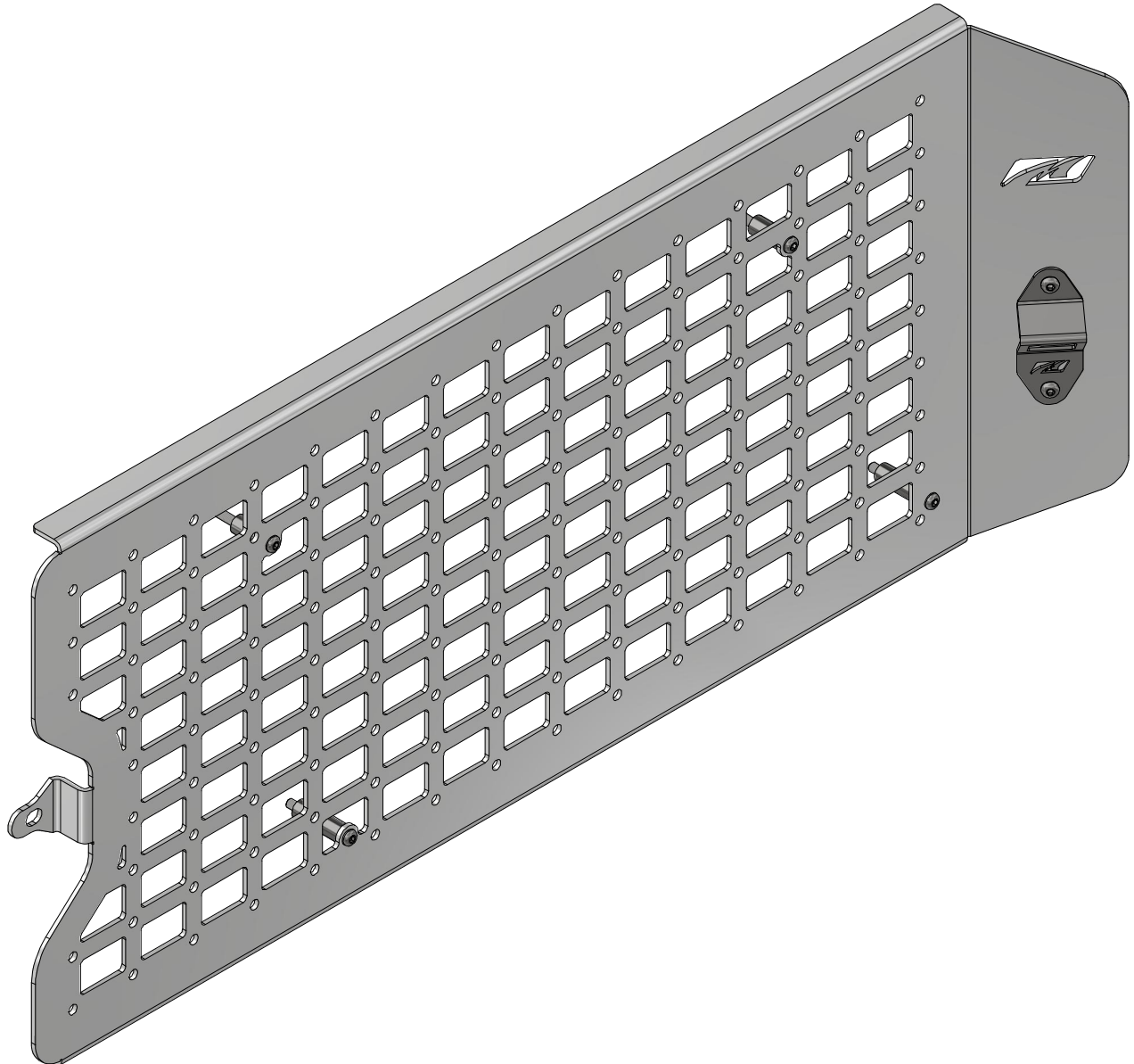


**MB5554 - Assembly Instructions Rear Swing Door Molle Panel For JL / JLU**

**MB5554 - REAR SWING DOOR  
MOLLE PANEL FOR JL/JLU**

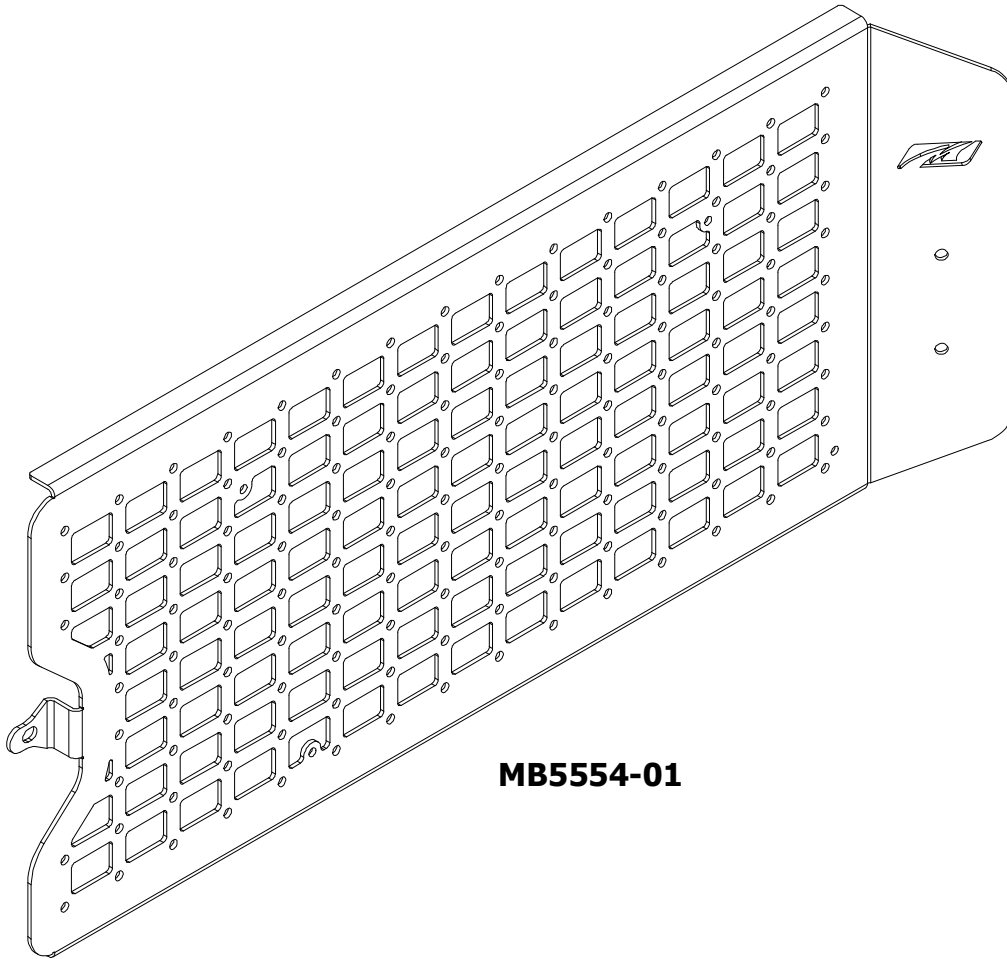
**FITS 2018 - PRESENT  
MOTOMOUNT SERIES**



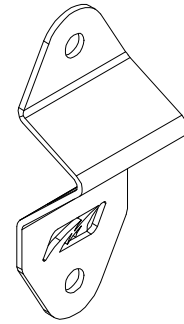
**ASSEMBLY INSTRUCTIONS**

**MB5554 - Shipping Rear Swing Door Molle Panel For JL / JLU**

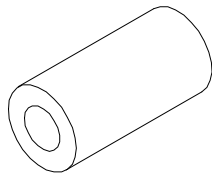
**CONTENTS**



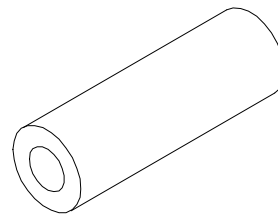
**MB5554-01**



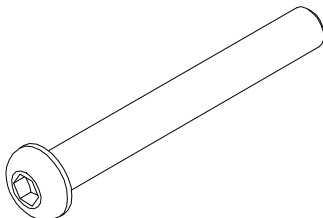
**MB5090-01**



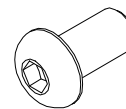
**1" Spacer  
Qty 2**



**1 1/2" Spacer  
Qty 2**



**M6 x 1 x 50 BHCS  
Qty 4**

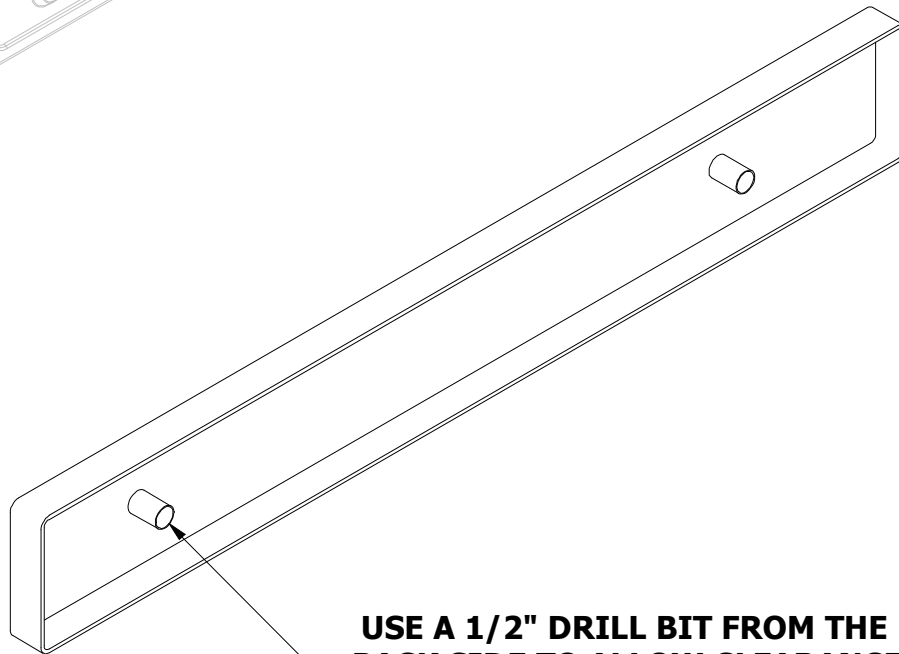
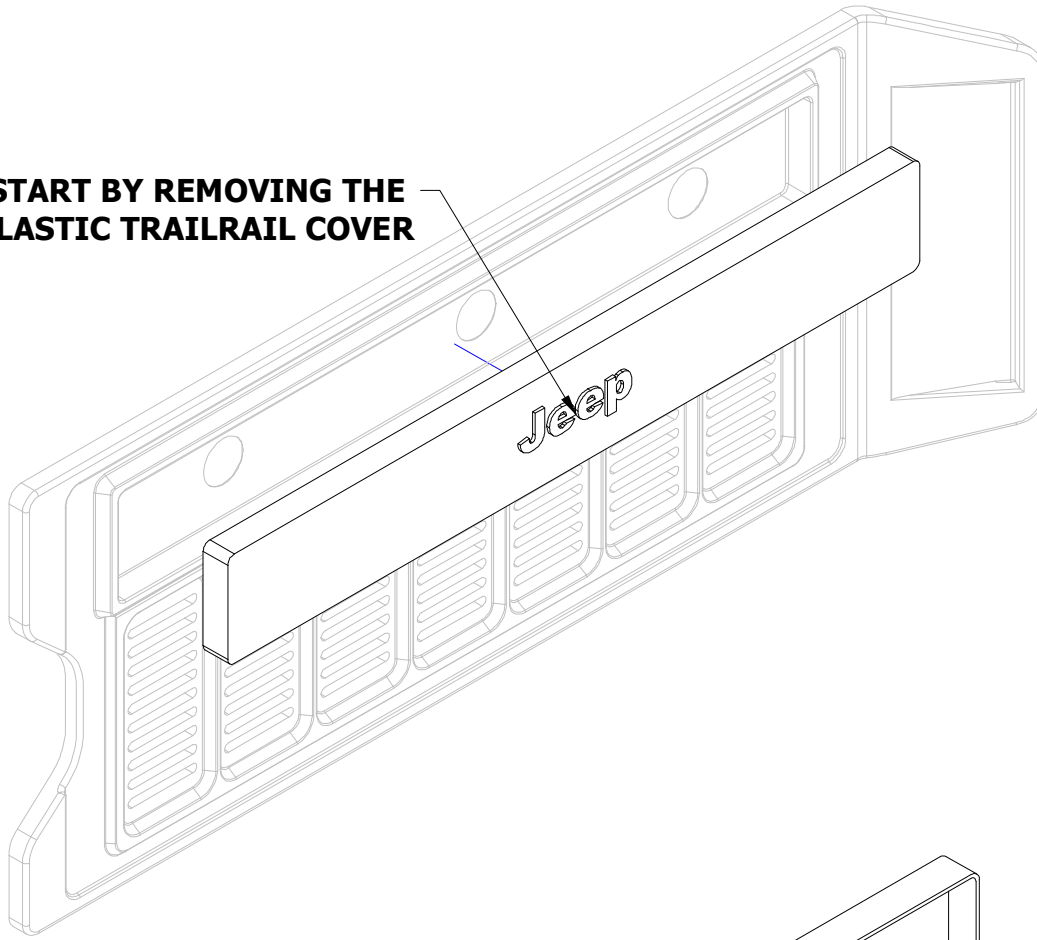


**1/4-20 x 1/2" BHCS  
Qty 2**

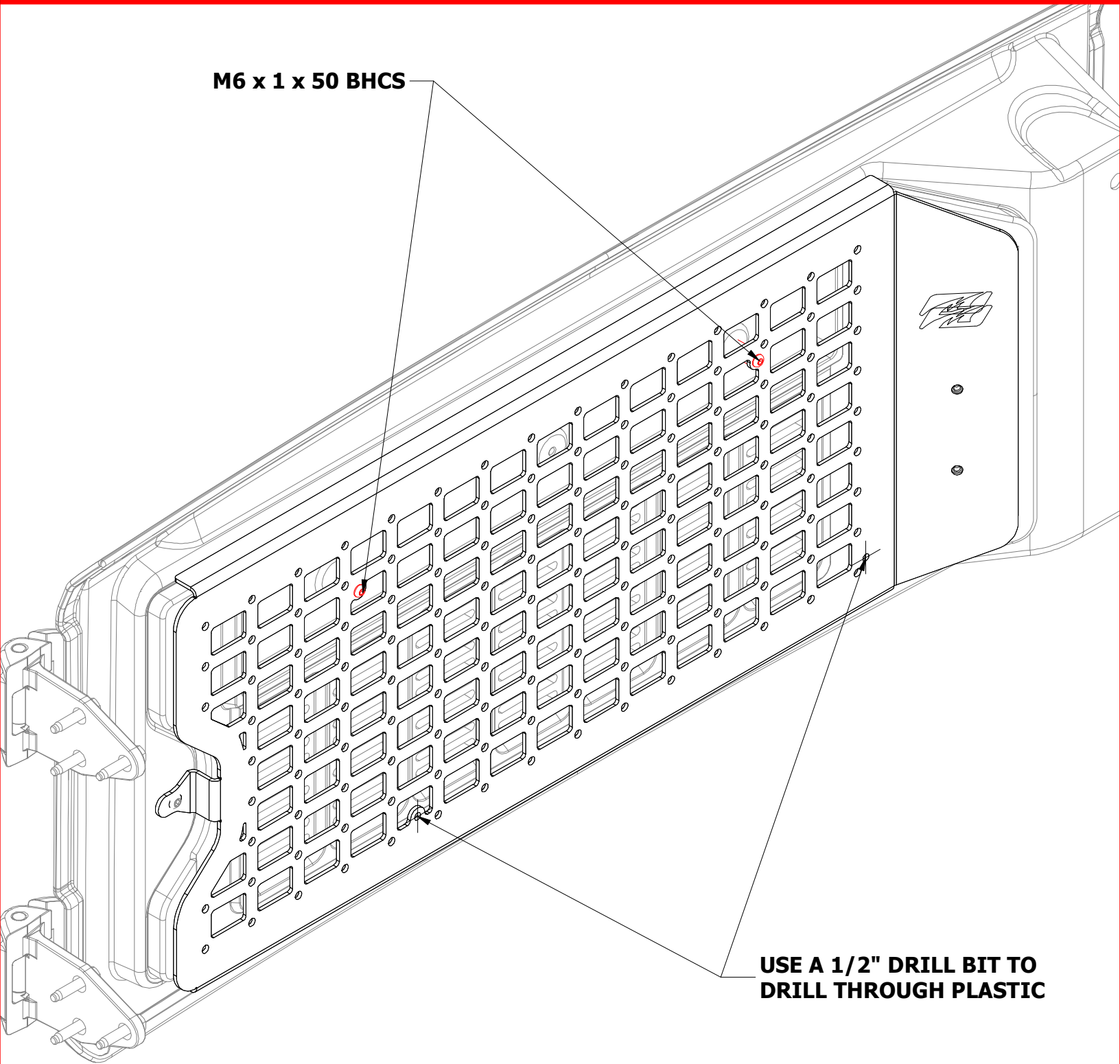
**MB5554 - Assembly Instructions Rear Swing Door Molle Panel For JL / JLU**

THIS STEP IS OPTIONAL YOU CAN ALSO USE THE MOLLE PANEL BY JUST REMOVING THE TRAILRAIL COVER

**START BY REMOVING THE PLASTIC TRAILRAIL COVER**



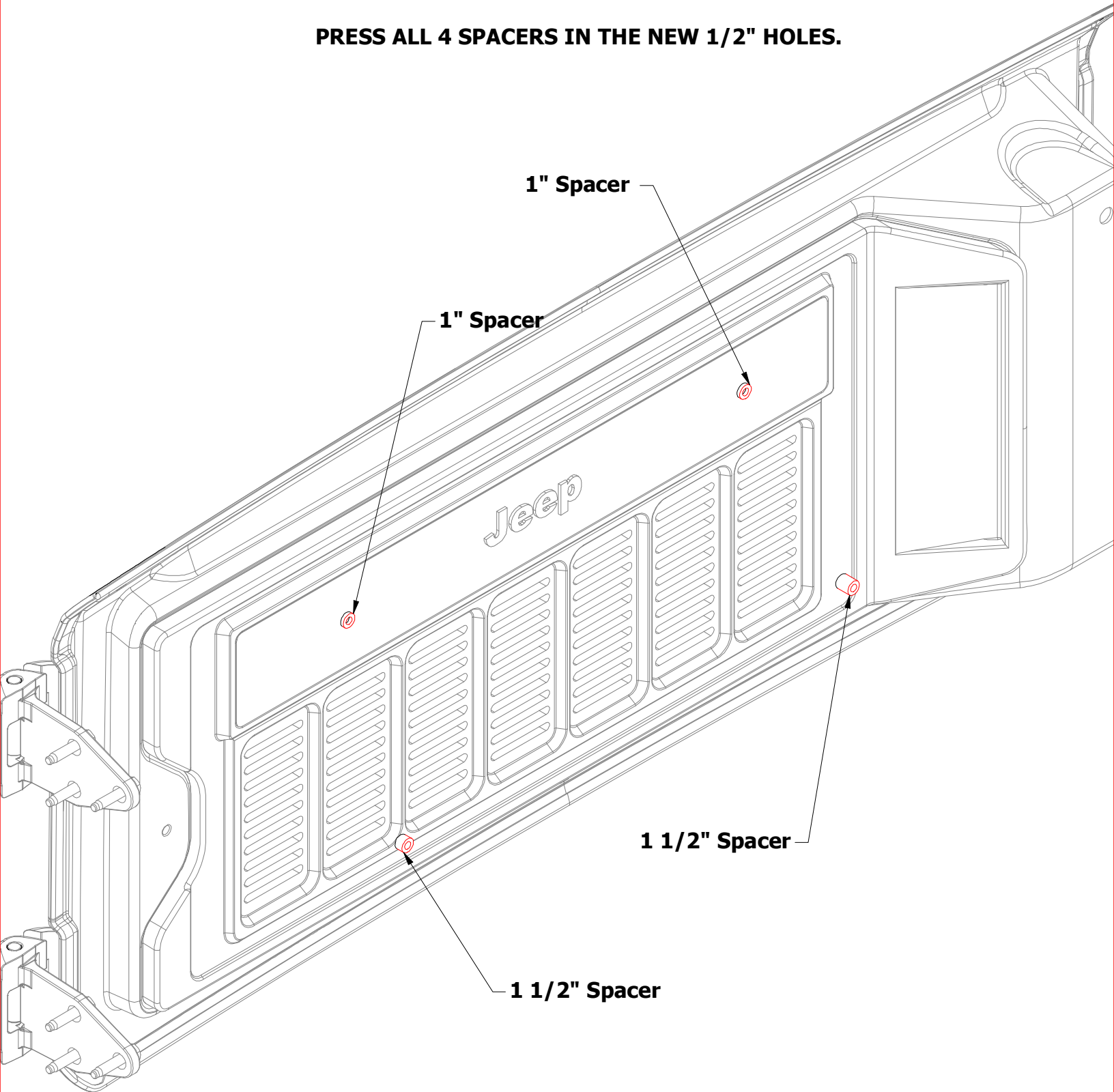
**USE A 1/2" DRILL BIT FROM THE BACK SIDE TO ALLOW CLEARANCE FOR SPACER AND FASTENER ACCESS.**

**MB5554 - Assembly Instructions Rear Swing Door Molle Panel For JL / JLU****M6 x 1 x 50 BHCS****USE A 1/2" DRILL BIT TO  
DRILL THROUGH PLASTIC**

**PROTIP: USE 1/4" DRILL BIT TO DRILL A PILOT HOLE  
WITH MOLLE PANEL ATTACHED TO ENSURE HOLE  
IS CENTERED OVER BOTH LOWER HIDDEN THREADED  
HOLES.**

**MB5554 - Assembly Instructions Rear Swing Door Molle Panel For JL / JLU**

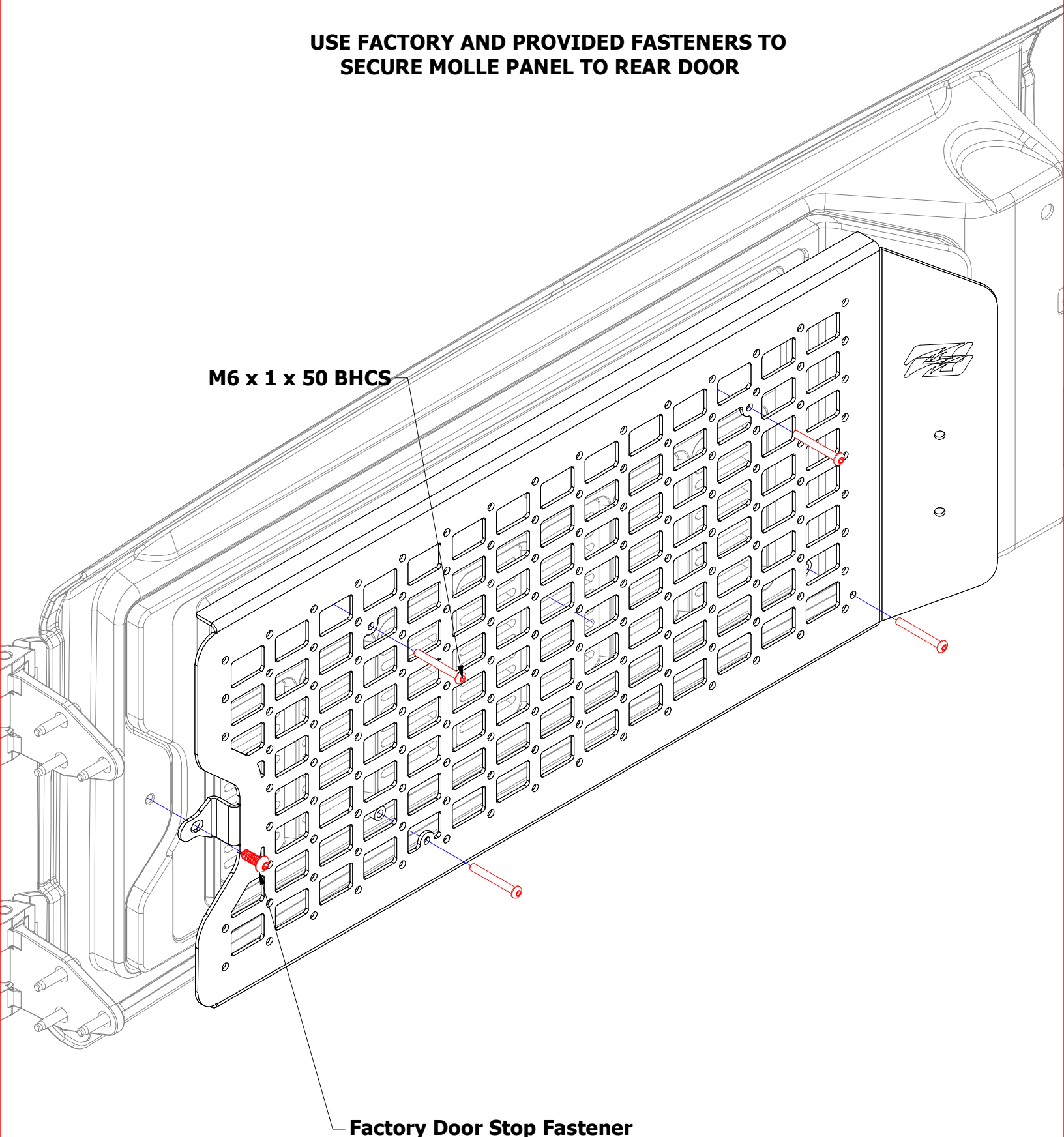
**PRESS ALL 4 SPACERS IN THE NEW 1/2" HOLES.**



**MB5554 - Assembly Instructions Rear Swing Door Molle Panel For JL / JLU**

**USE FACTORY AND PROVIDED FASTENERS TO SECURE MOLLE PANEL TO REAR DOOR**

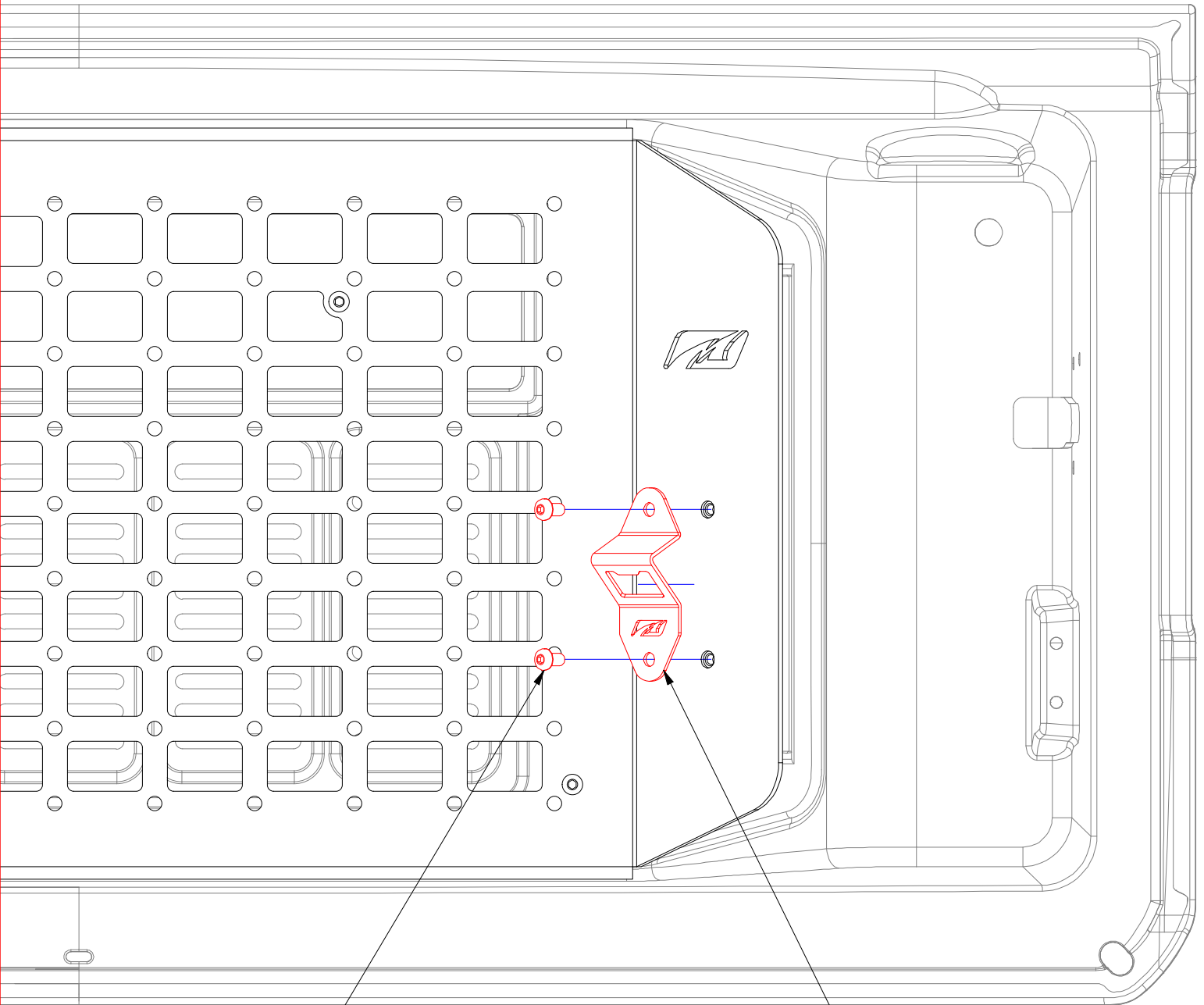
**M6 x 1 x 50 BHCS**



**Factory Door Stop Fastener**

**MB5554 - Assembly Instructions Rear Swing Door Mole Panel For JL / JLU**

**ATTACH BOTTLE OPENER TO MOLE PANEL**



**1/4-20 x 1/2" BHCS**

**MB5090-01**



**MB5554 - Assembly Instructions Rear Swing Door Molle Panel For JL / JLU**

