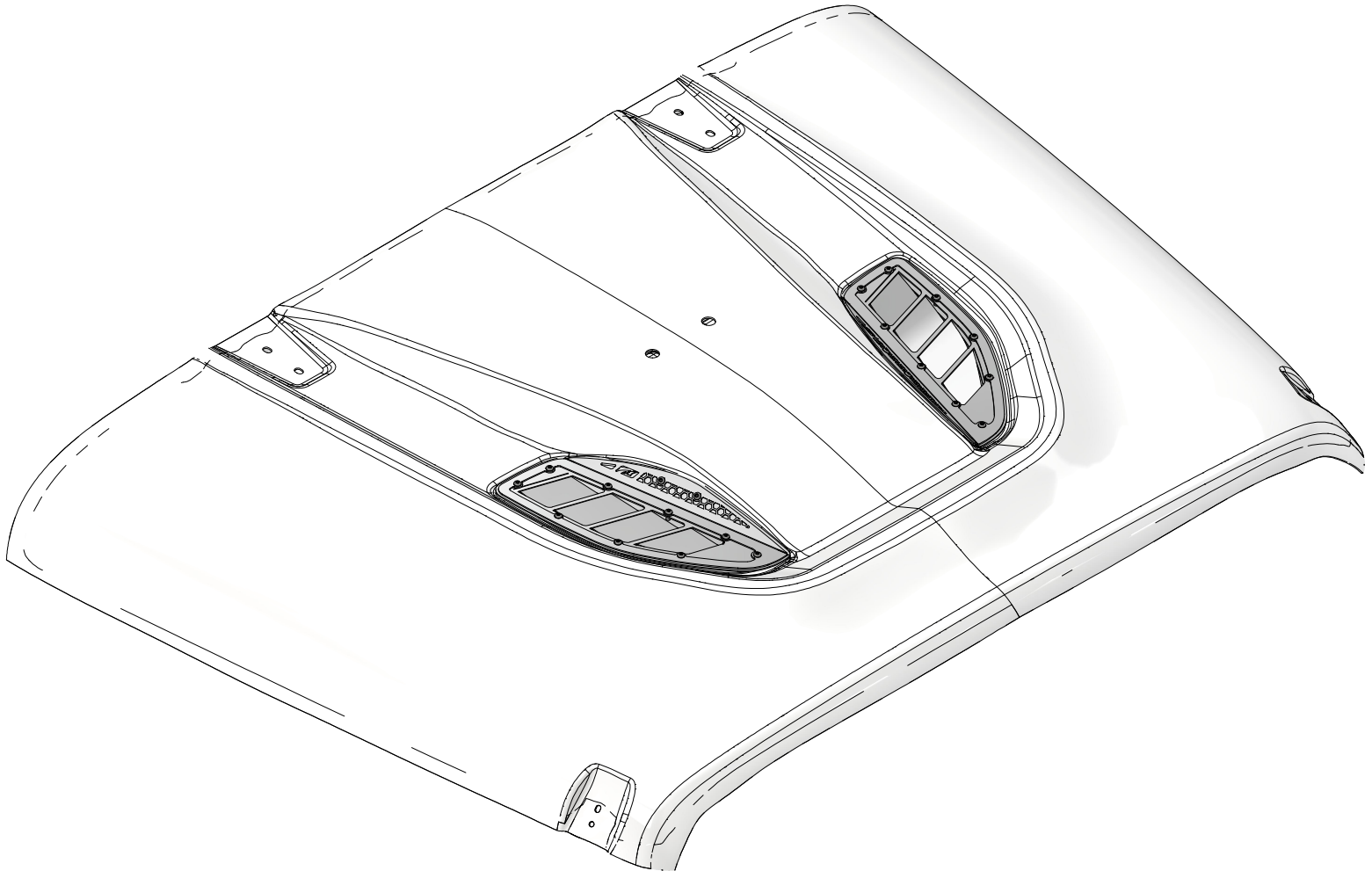


MB5541 - Assembly Instructions Rubicon 10A/HR Hood Vent Kit for JK/JKU

MB5541 - RUBICON 10A/HR HOOD VENT KIT

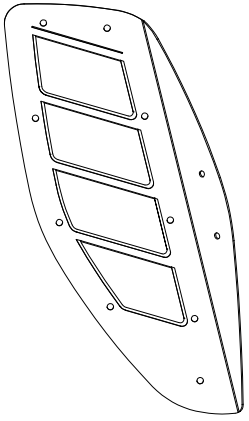
COMPATIBLE WITH JK / JKU



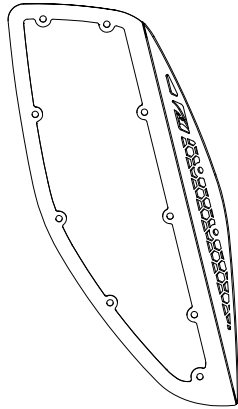
ASSEMBLY INSTRUCTIONS

MB5541 - Shipping Rubicon 10A/HR Hood Vent Kit for JK/JKU

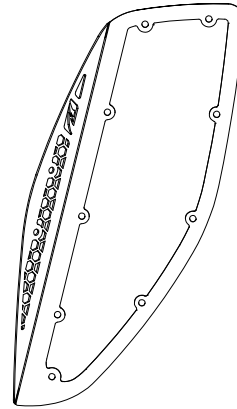
CONTENTS



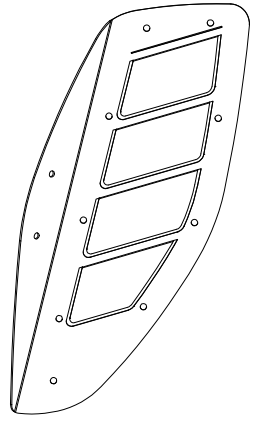
MB5541-01
Qty: 1



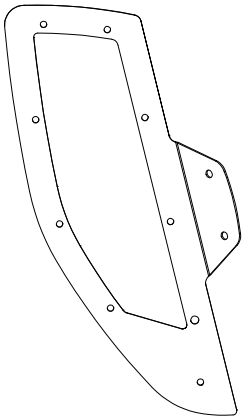
MB5541-03
Qty: 1



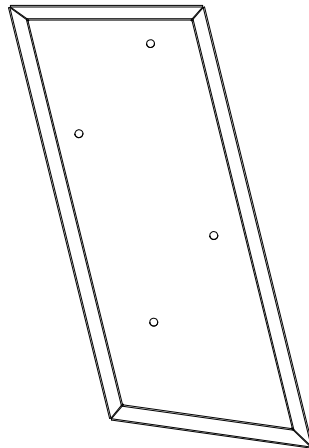
MB5541-04
Qty: 1



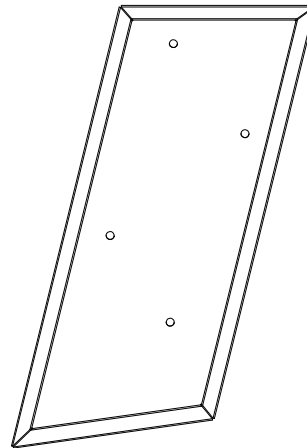
MB5541-02
Qty: 1



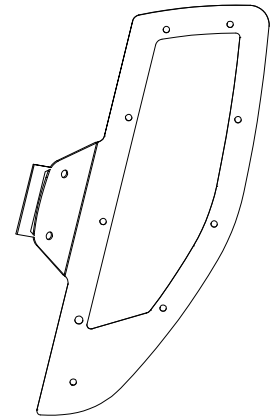
MB5541-05
Qty: 1



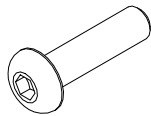
MB5541-07
Qty: 1



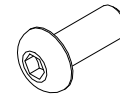
MB5541-08
Qty: 1



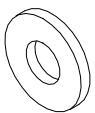
MB5541-06
Qty: 1



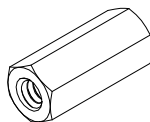
#10-24x3/4" Button Head Socket Screw
Qty: 22



#10-24x1/2" Button Head Socket Screw
Qty: 8



#10 Flat Washer
Qty: 8



#10-24x3/4" Coupling Nut
Qty: 8



#10-24 Nylon Insert Locknut
Qty: 8

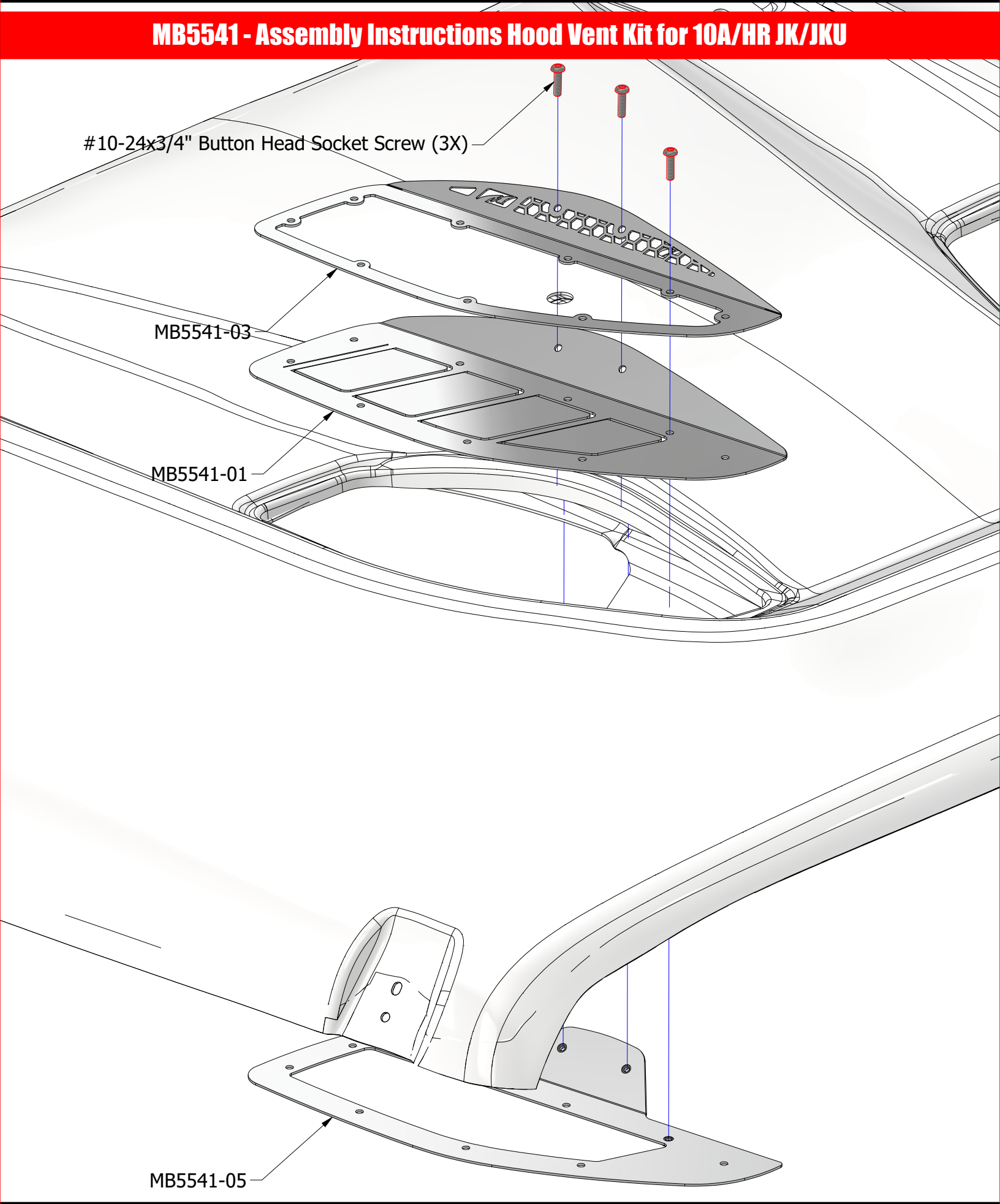
MB5541 - Assembly Instructions Hood Vent Kit for 10A/HR JK/JKU

#10-24x3/4" Button Head Socket Screw (3X)

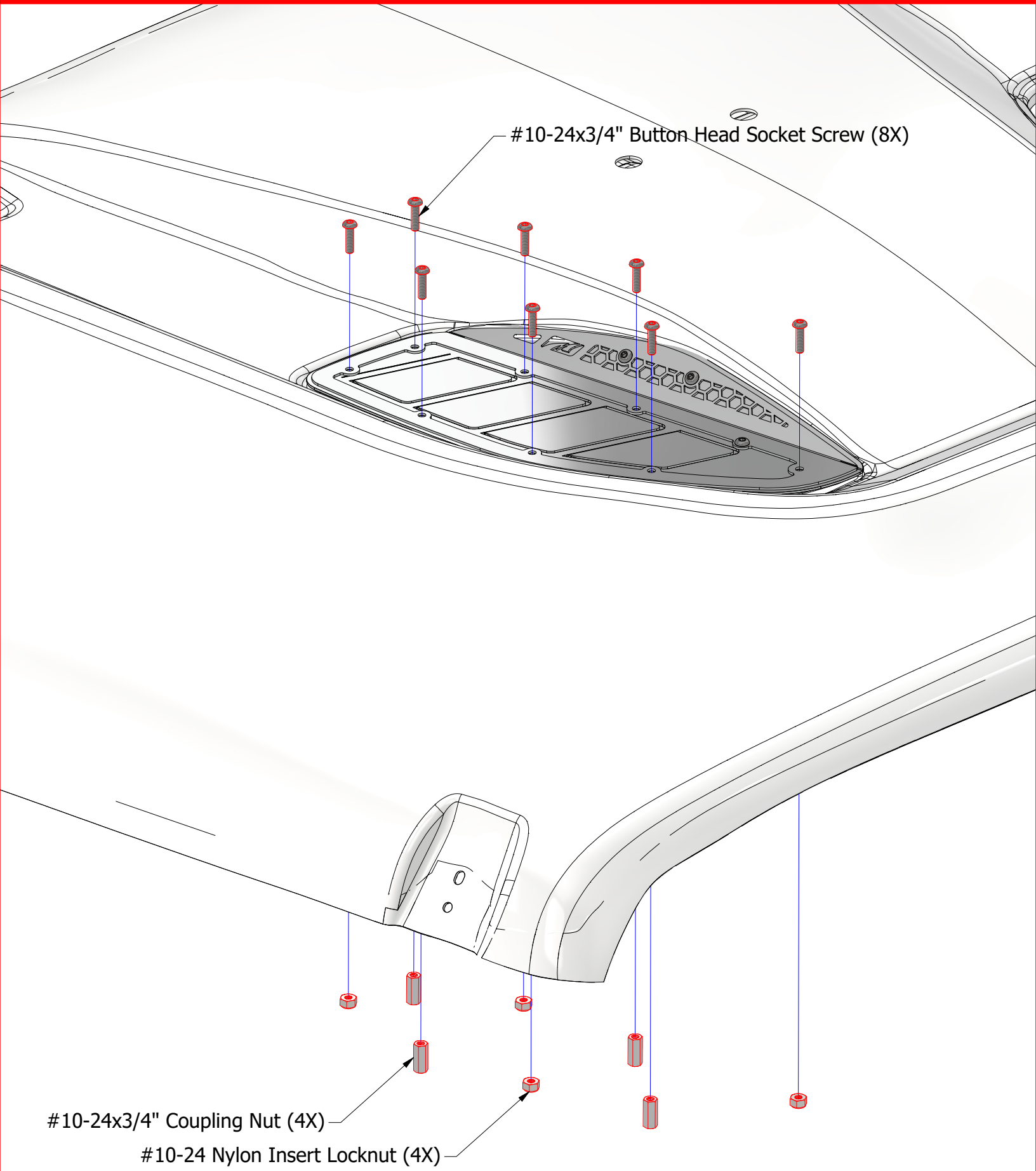
MB5541-03

MB5541-01

MB5541-05



MB5541 - Assembly Instructions Hood Vent Kit for 10A/HR JK/JKU

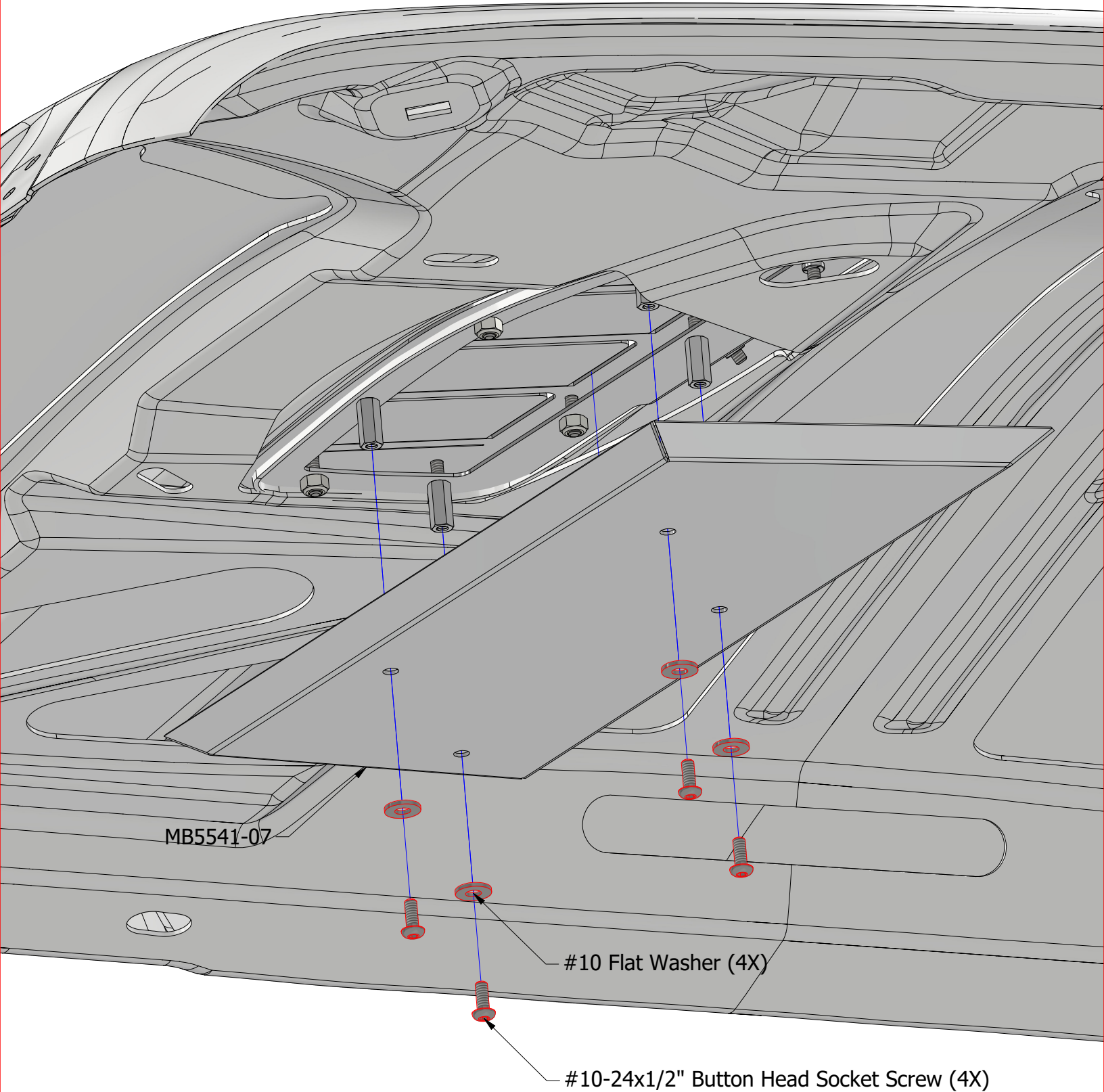


#10-24x3/4" Button Head Socket Screw (8X)

#10-24x3/4" Coupling Nut (4X)

#10-24 Nylon Insert Locknut (4X)

MB5541 - Assembly Instructions Hood Vent Kit for 10A/HR JK/JKU



MB5541-07

#10 Flat Washer (4X)

#10-24x1/2" Button Head Socket Screw (4X)