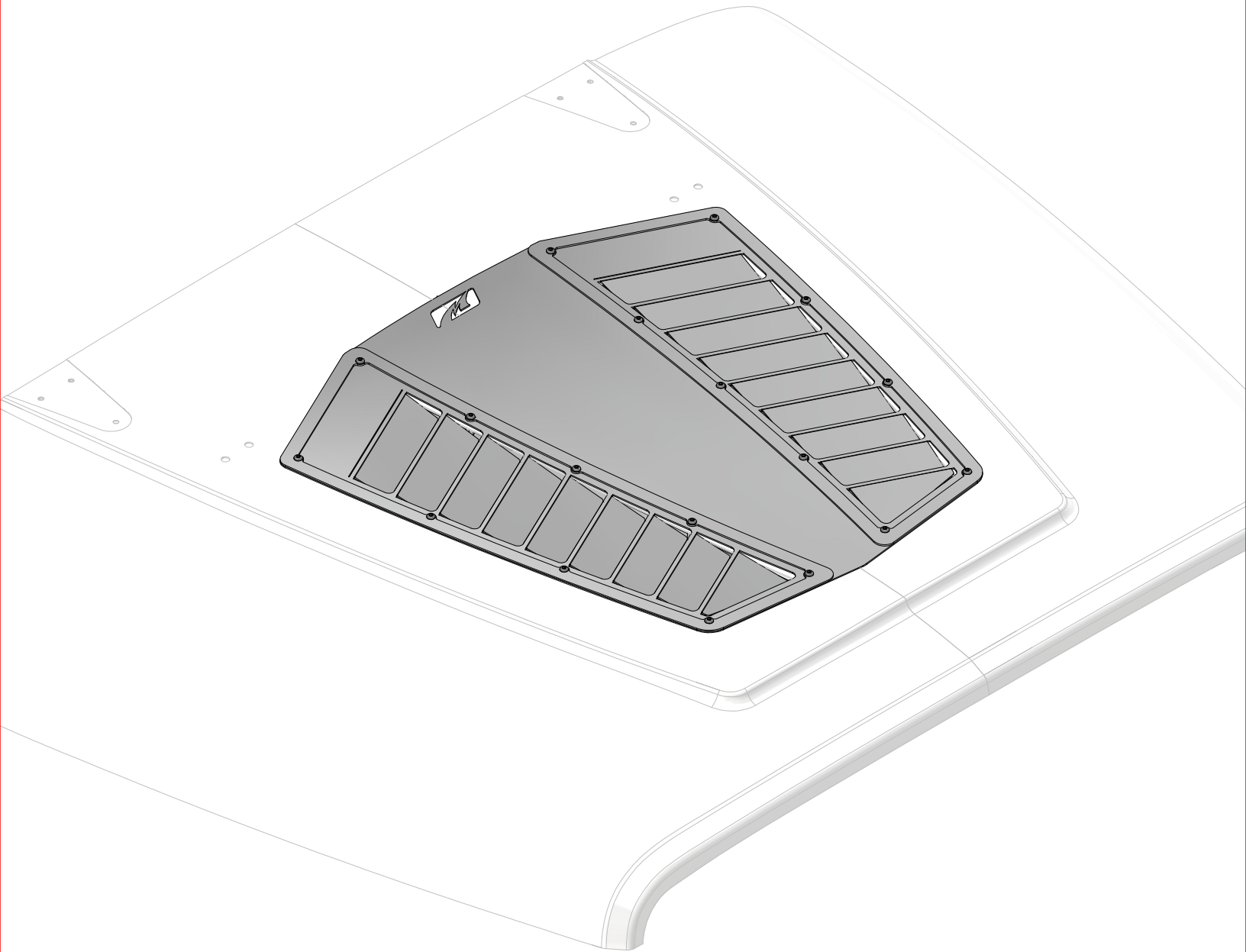


MB5538 - Assembly Instructions YJ TJ Hood Vent Kit

MB5538 - YJ / TJ HOOD VENT KIT

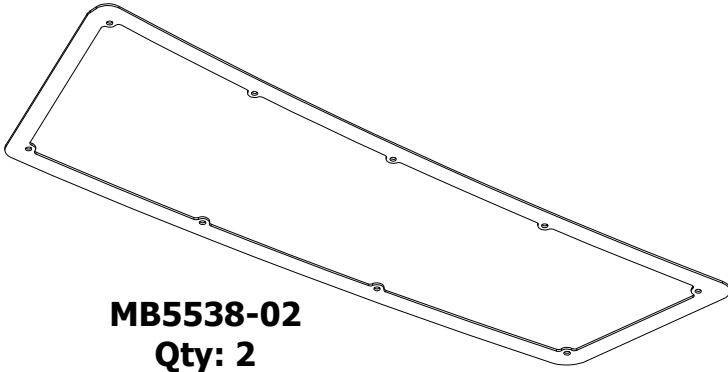
COMPATIBLE WITH JEEP YJ/TJ



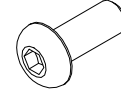
ASSEMBLY INSTRUCTIONS

MB5538 - Shipping YJ TJ Hood Vent Kit

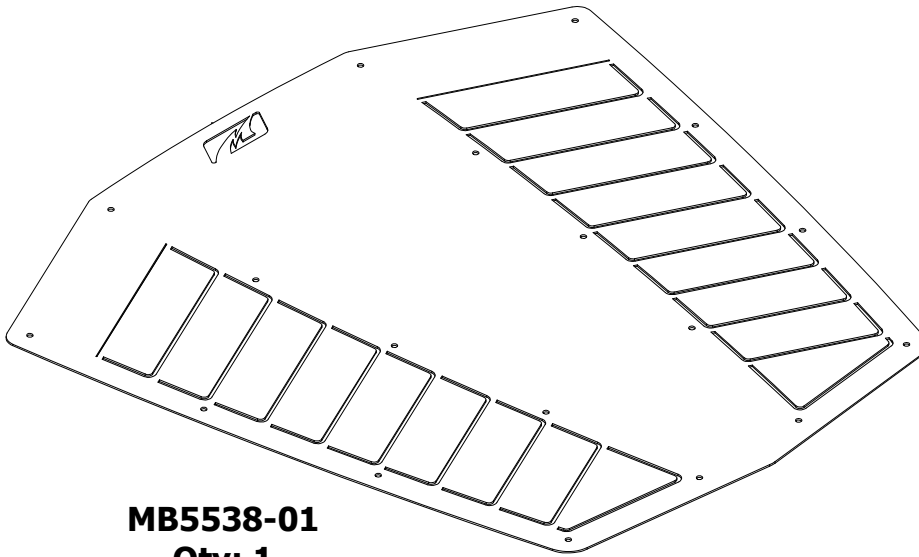
CONTENTS



MB5538-02
Qty: 2



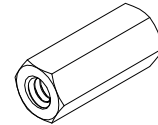
#10-24x1/2" Button Head Socket Screw
Qty: 26



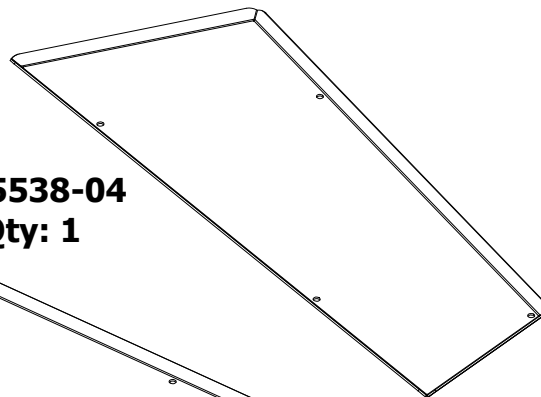
MB5538-01
Qty: 1



#10 Flat Washer
Qty: 14



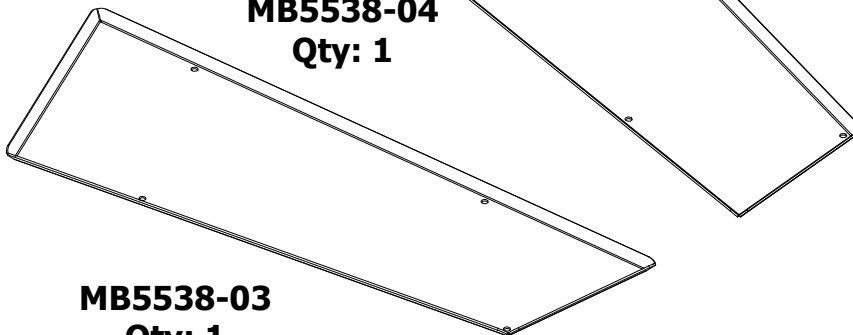
#10-24x3/4" Coupling Nut
Qty: 8



MB5538-04
Qty: 1



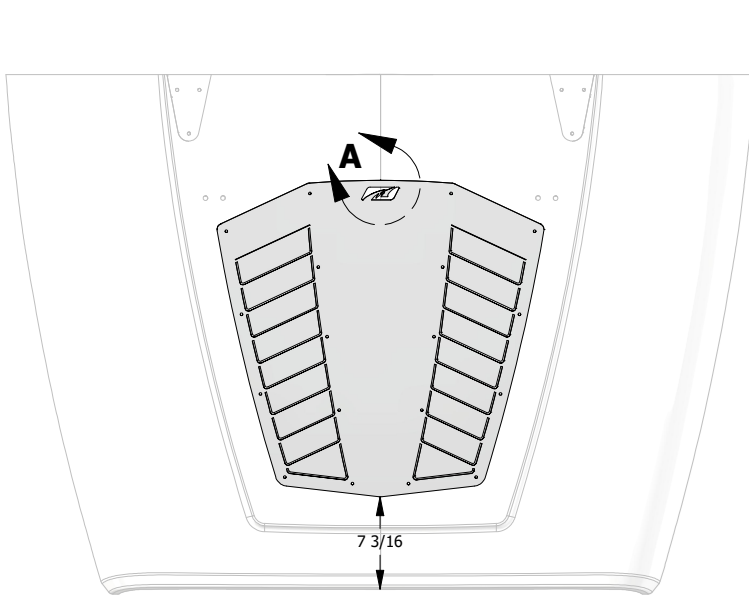
#10-24 Nylon Insert Locknut
Qty: 14



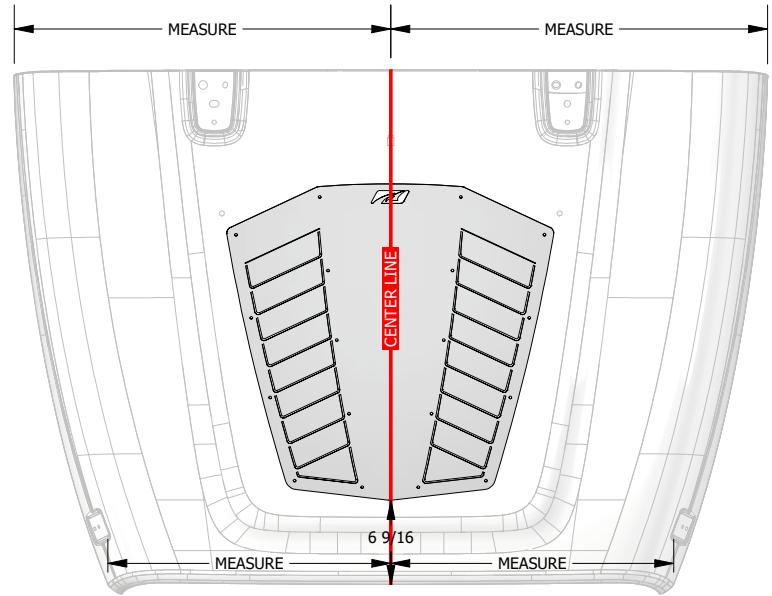
MB5538-03
Qty: 1

MB5538 - Assembly Instructions YJ TJ Hood Vent Kit

Step 01



1986-1995 JEEP WRANGLER YJ

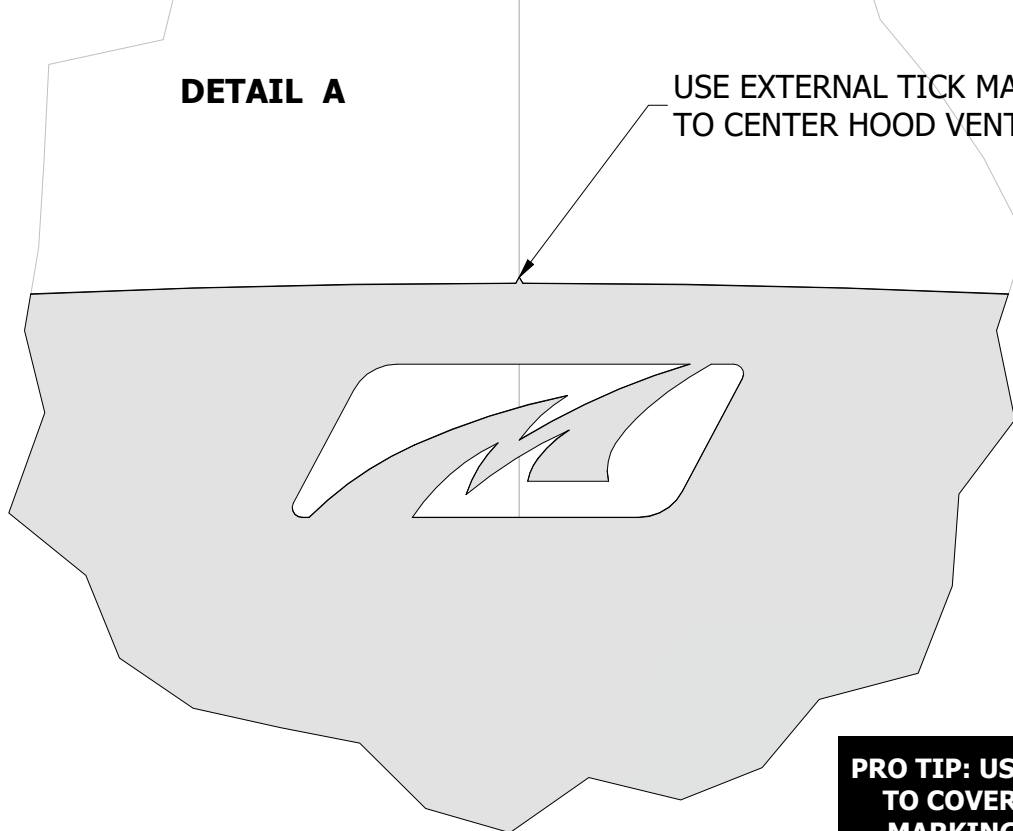


1997-2003 JEEP WRANGLER TJ

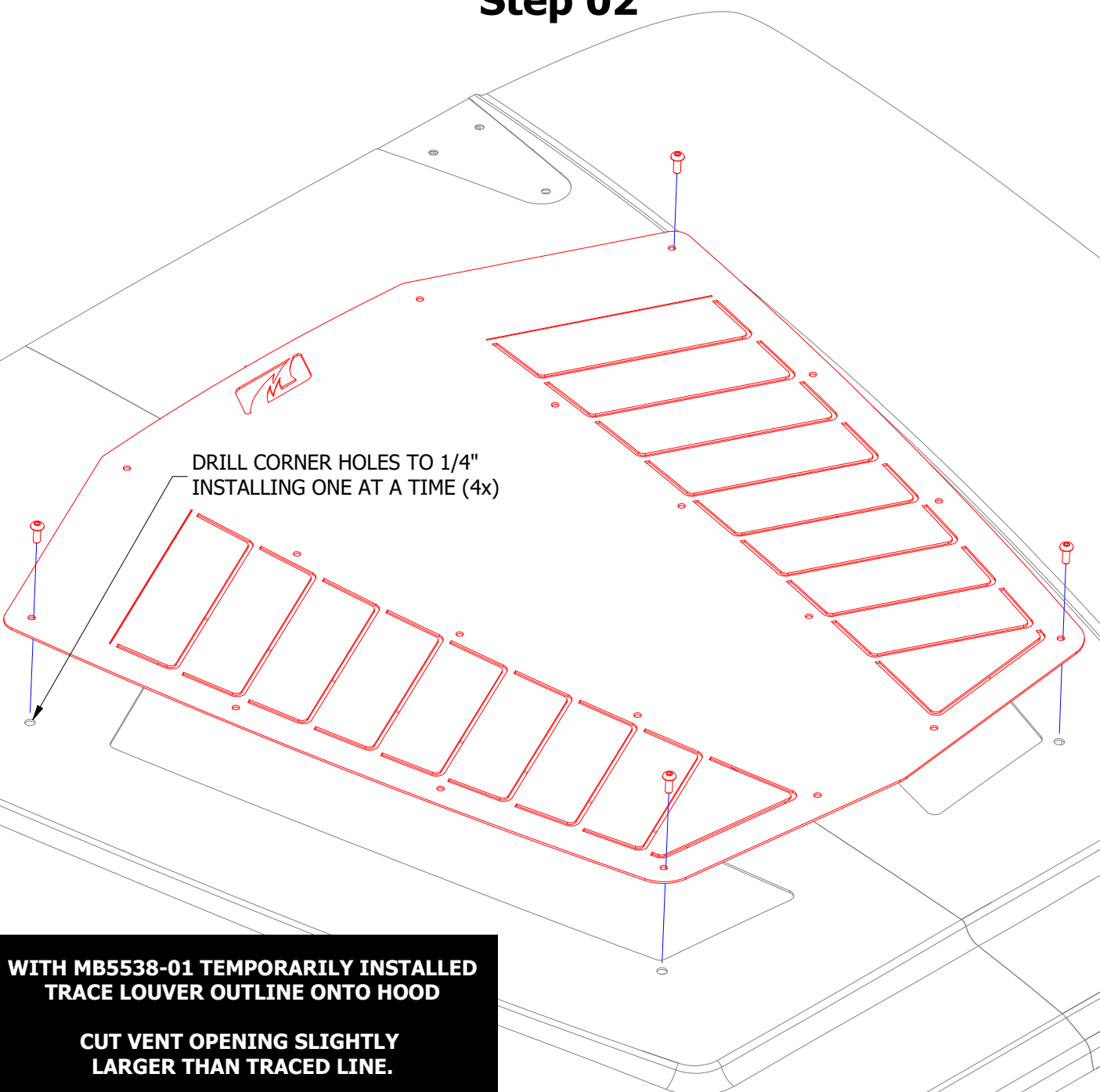
MEASURE FROM LEFT TO CENTER AND RIGHT TO CENTER AT FRONT AND BACK OF HOOD TO FIND CENTER LINE.

DETAIL A

USE EXTERNAL TICK MARK TO CENTER HOOD VENT



PRO TIP: USE PAINTERS TAPE TO COVER HOOD BEFORE MARKING AND CUTTING

MB5538 - Assembly Instructions YJ TJ Hood Vent Kit**Step 02**

DRILL CORNER HOLES TO 1/4"
INSTALLING ONE AT A TIME (4x)

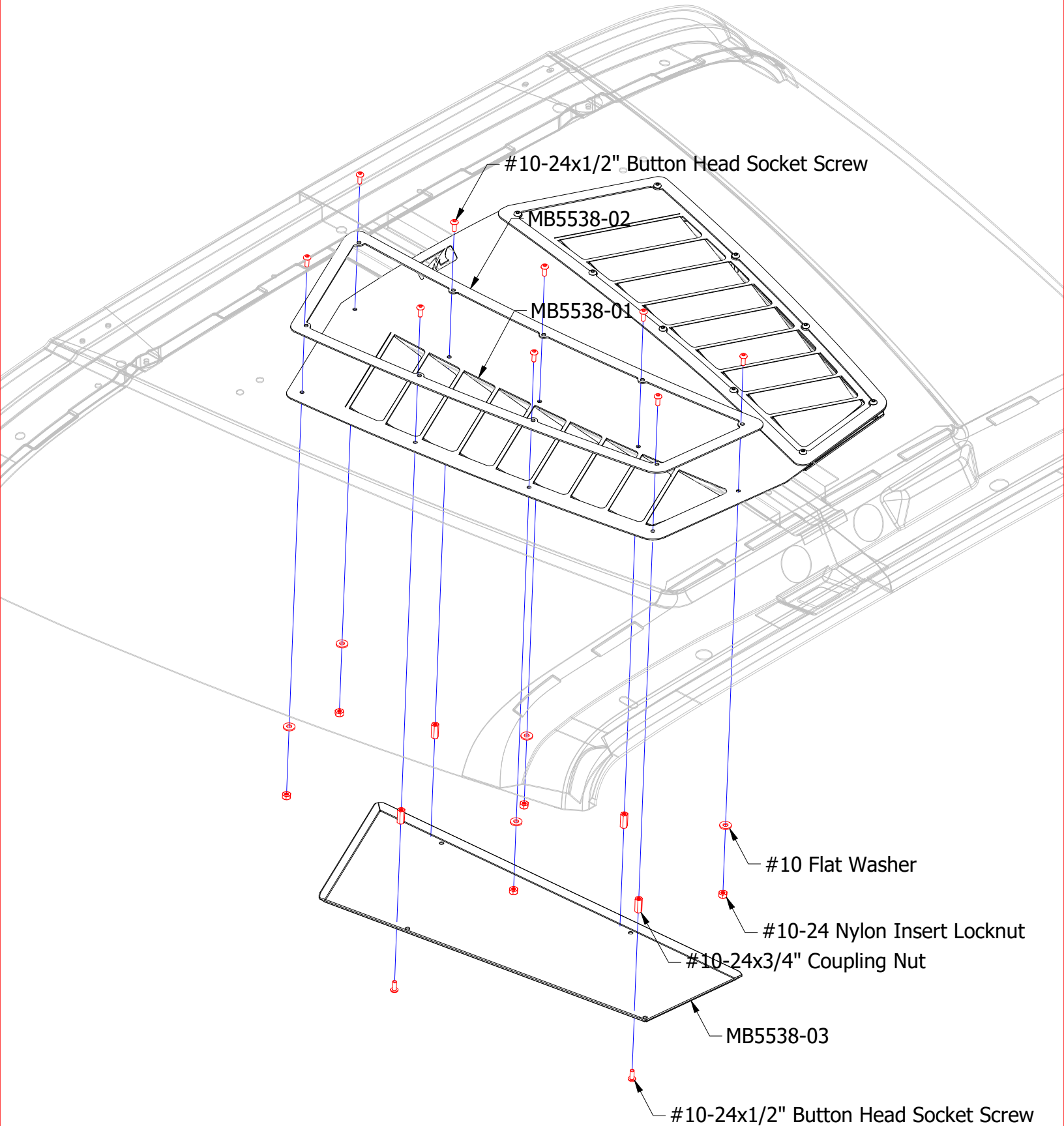
**WITH MB5538-01 TEMPORARILY INSTALLED
TRACE LOUVER OUTLINE ONTO HOOD**

**CUT VENT OPENING SLIGHTLY
LARGER THAN TRACED LINE.**

**PRO TIP: DRILL A 1/2" HOLE
TANGENT TO THE CORNERS
BEFORE CUTTING SIDES**

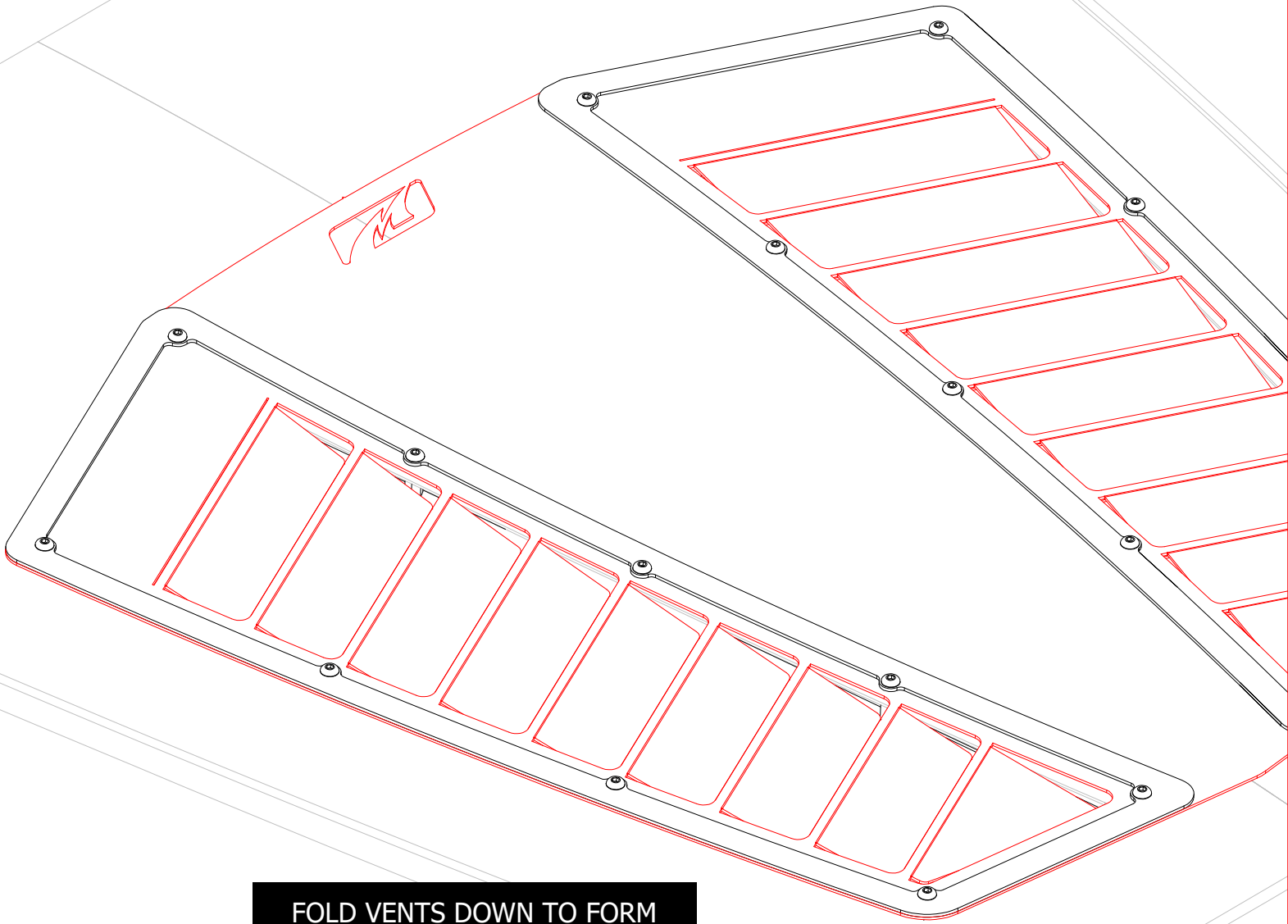
MB5538 - Assembly Instructions YJ TJ Hood Vent Kit

Step 03



MB5538 - Assembly Instructions YJ TJ Hood Vent Kit

Step 04



**FOLD VENTS DOWN TO FORM
LOUVERED SHAPE**