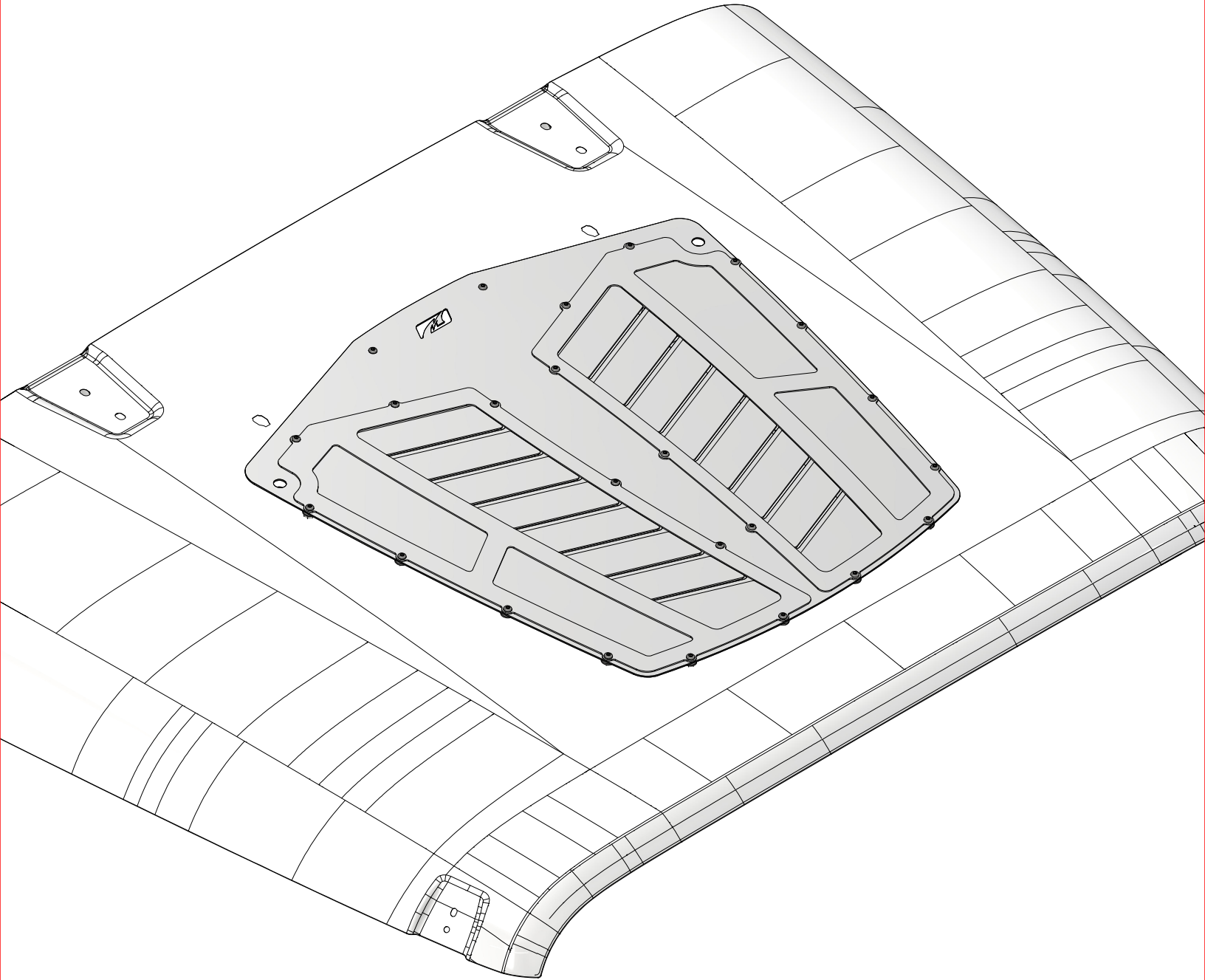


MB5537 - Assembly Instructions JK / JKU Hood Vent Kit

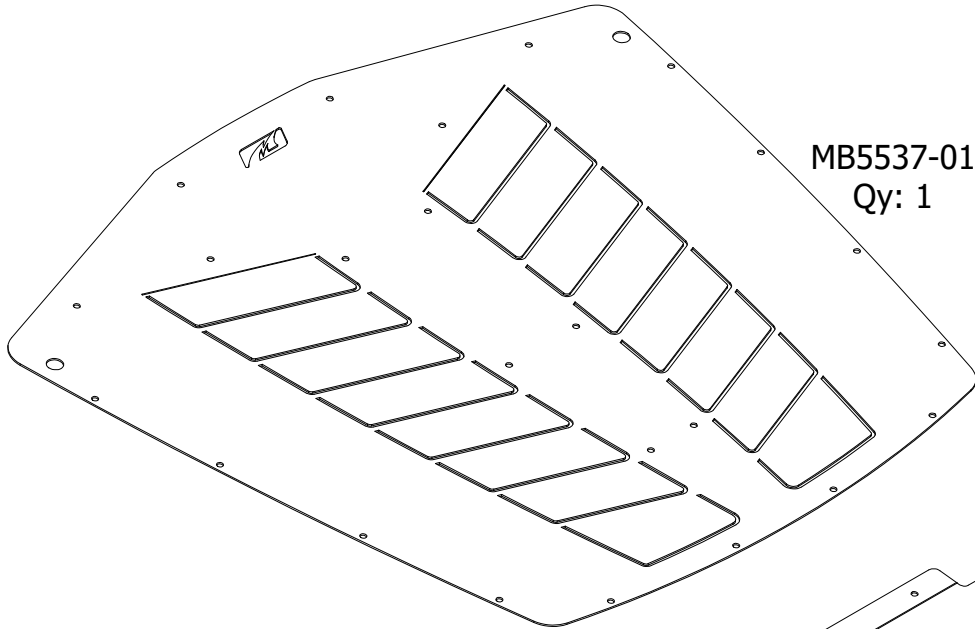
MB5537 - JK / JKU HOOD VENT KIT



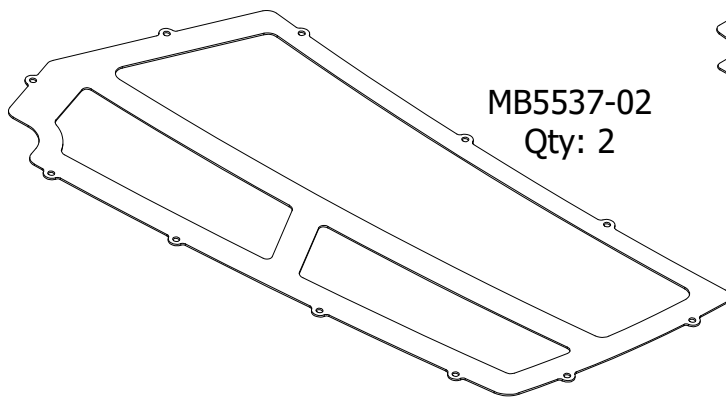
ASSEMBLY INSTRUCTIONS

MB5537 - Shipping JK / JKU Hood Vent Kit

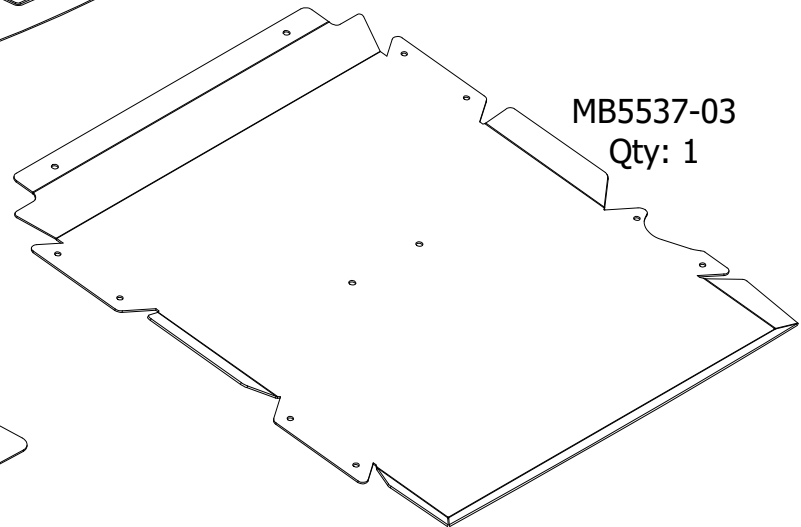
CONTENTS



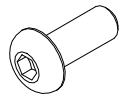
MB5537-01
Qty: 1



MB5537-02
Qty: 2



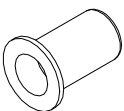
MB5537-03
Qty: 1



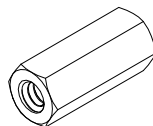
#10-24x1/2" Button Head Socket Screw
Qty: 34



#10 Flat Washer
Qty: 26



#10-24 Rivnut
Qty: 6 (2 Spares)



#10-24x3/4" Coupling Nut
Qty: 2

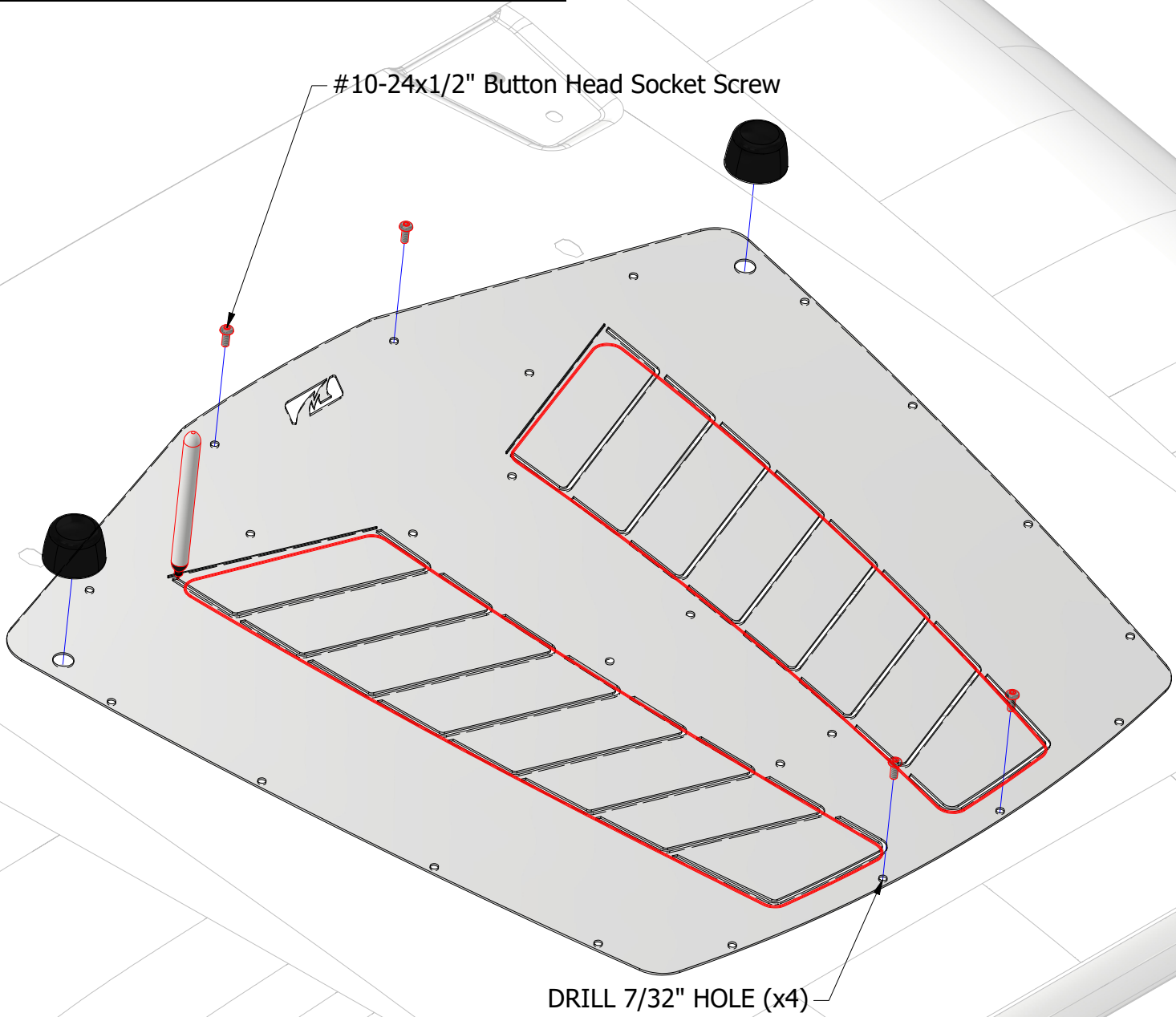


#10-24 Nylon Insert Locknut
Qty: 22

MB5537 - Assembly Instructions JK / JKU Hood Vent Kit

USE WINDSHIELD BUMPERS TO ALIGN HOOD. DRILL AND TEMPORARILY INSTALL THE TOP 2 AND BOTTOM 2 BOLTS

USE A MARKER TO TRACE THE PROFILE OF THE VENTS

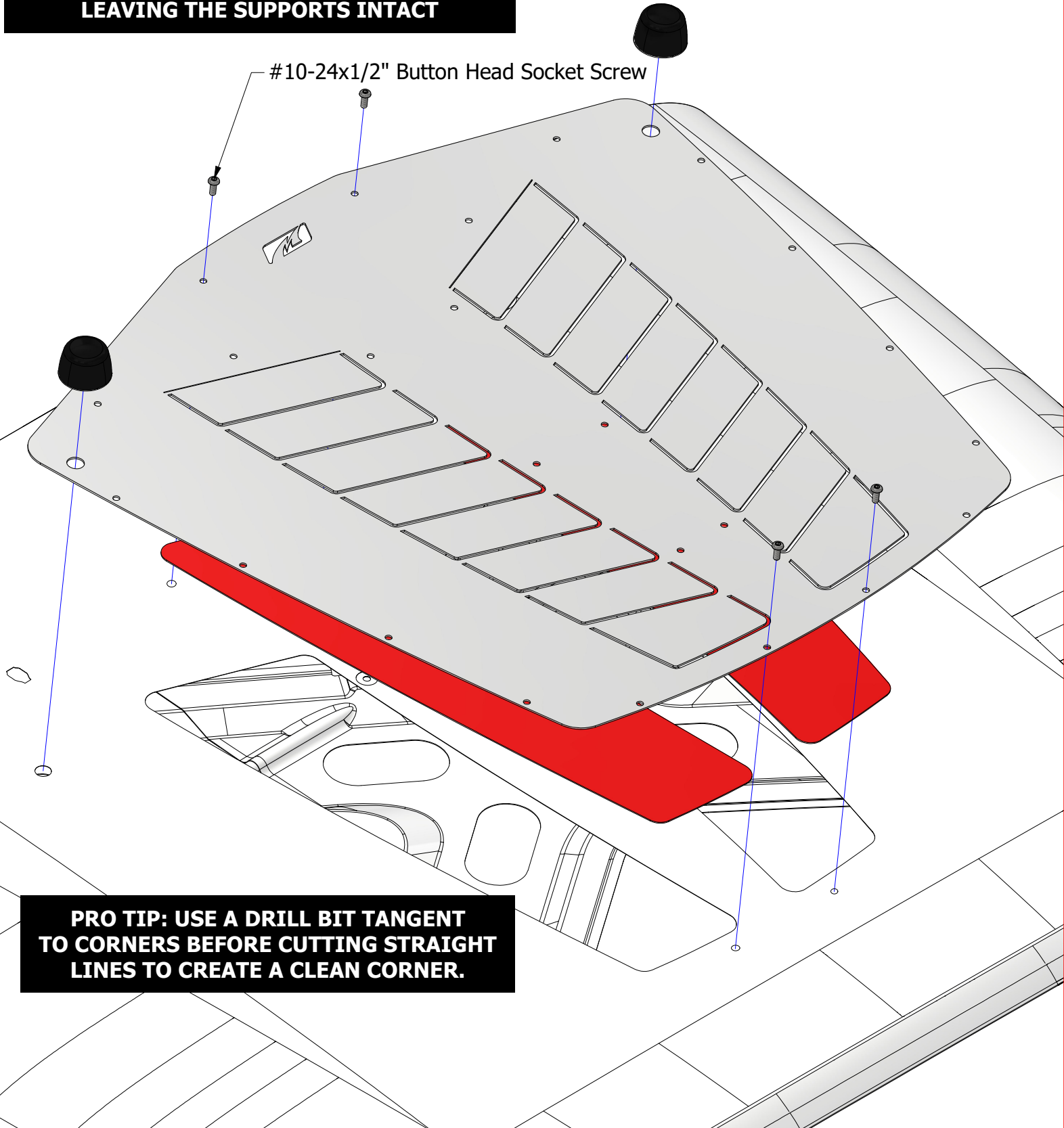


#10-24x1/2" Button Head Socket Screw

DRILL 7/32" HOLE (x4)

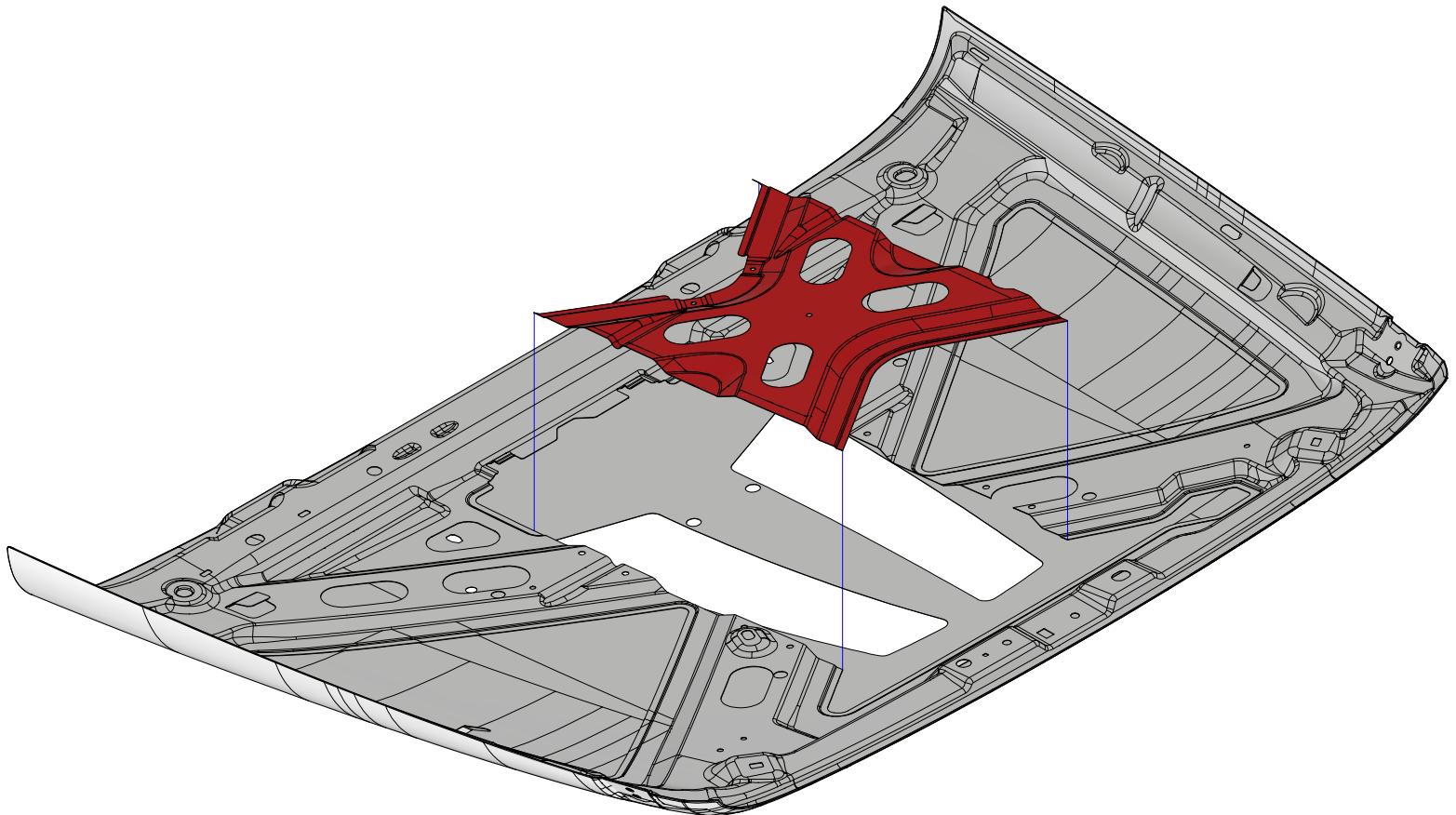
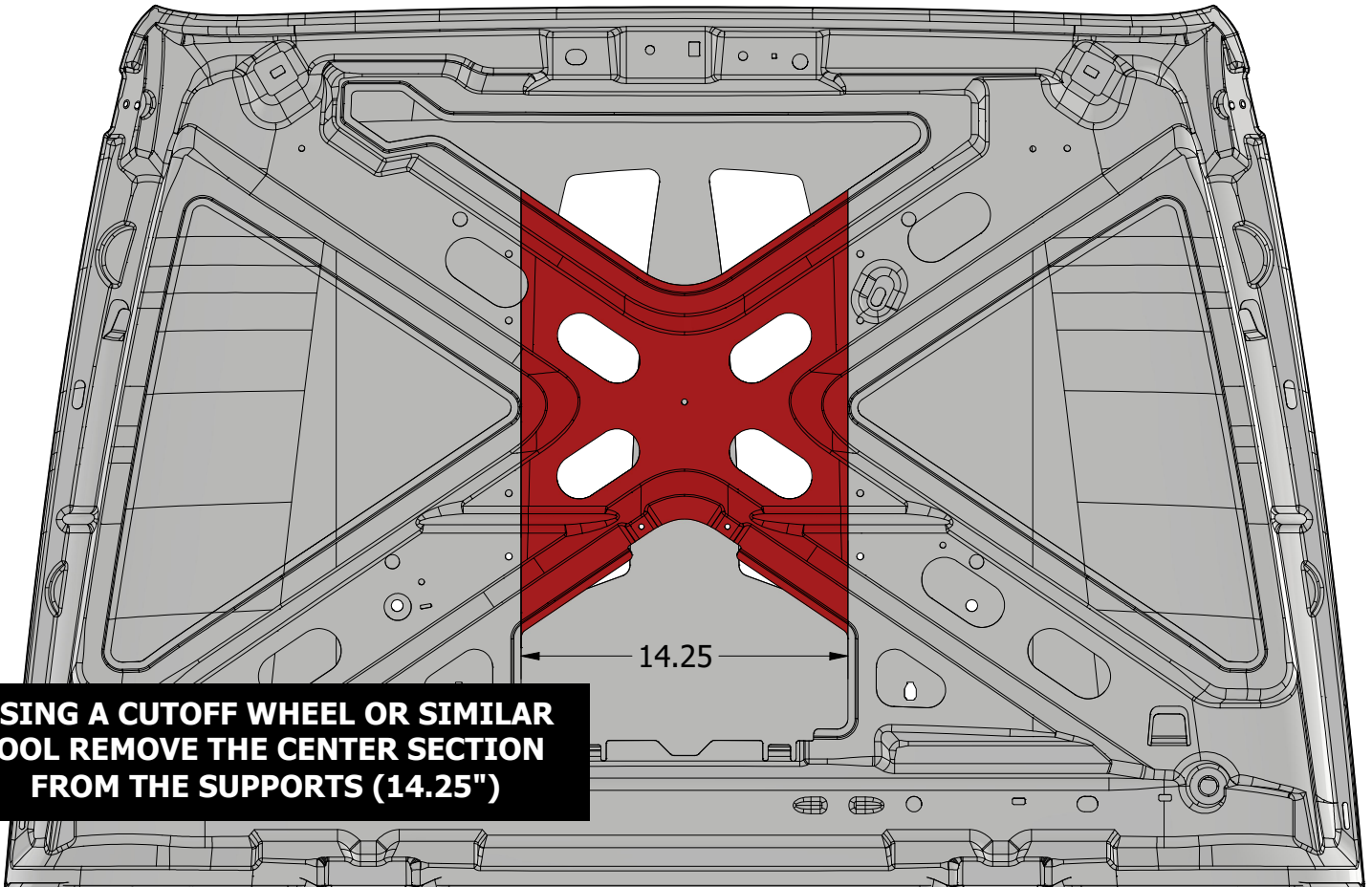
MB5537 - Assembly Instructions JK / JKU Hood Vent Kit

USING A CUTOFF WHEEL OR SIMILAR TOOL REMOVE ONLY THE TOP SKIN OF THE HOOD LEAVING THE SUPPORTS INTACT

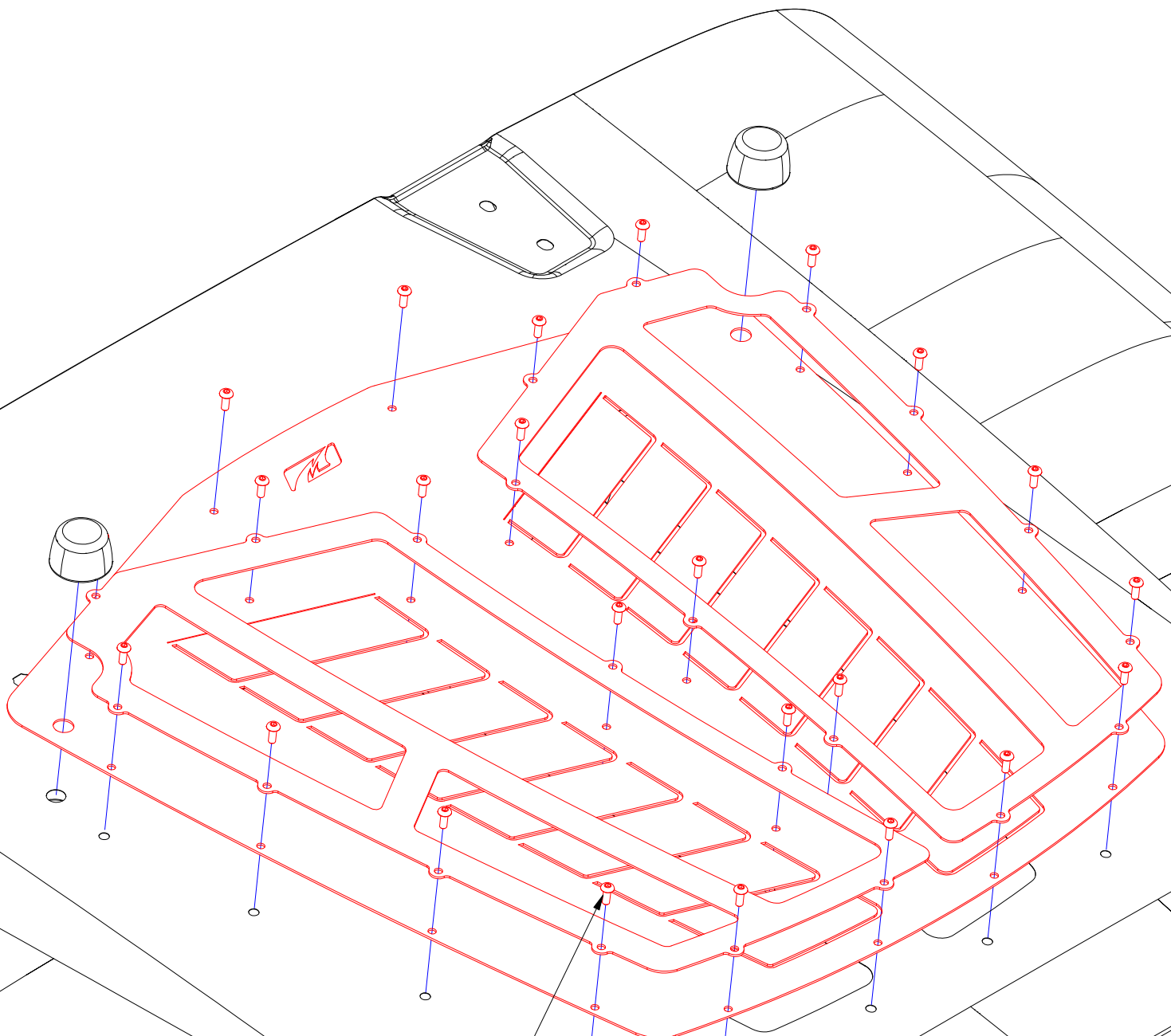


#10-24x1/2" Button Head Socket Screw

PRO TIP: USE A DRILL BIT TANGENT TO CORNERS BEFORE CUTTING STRAIGHT LINES TO CREATE A CLEAN CORNER.

MB5537 - Assembly Instructions JK / JKU Hood Vent Kit

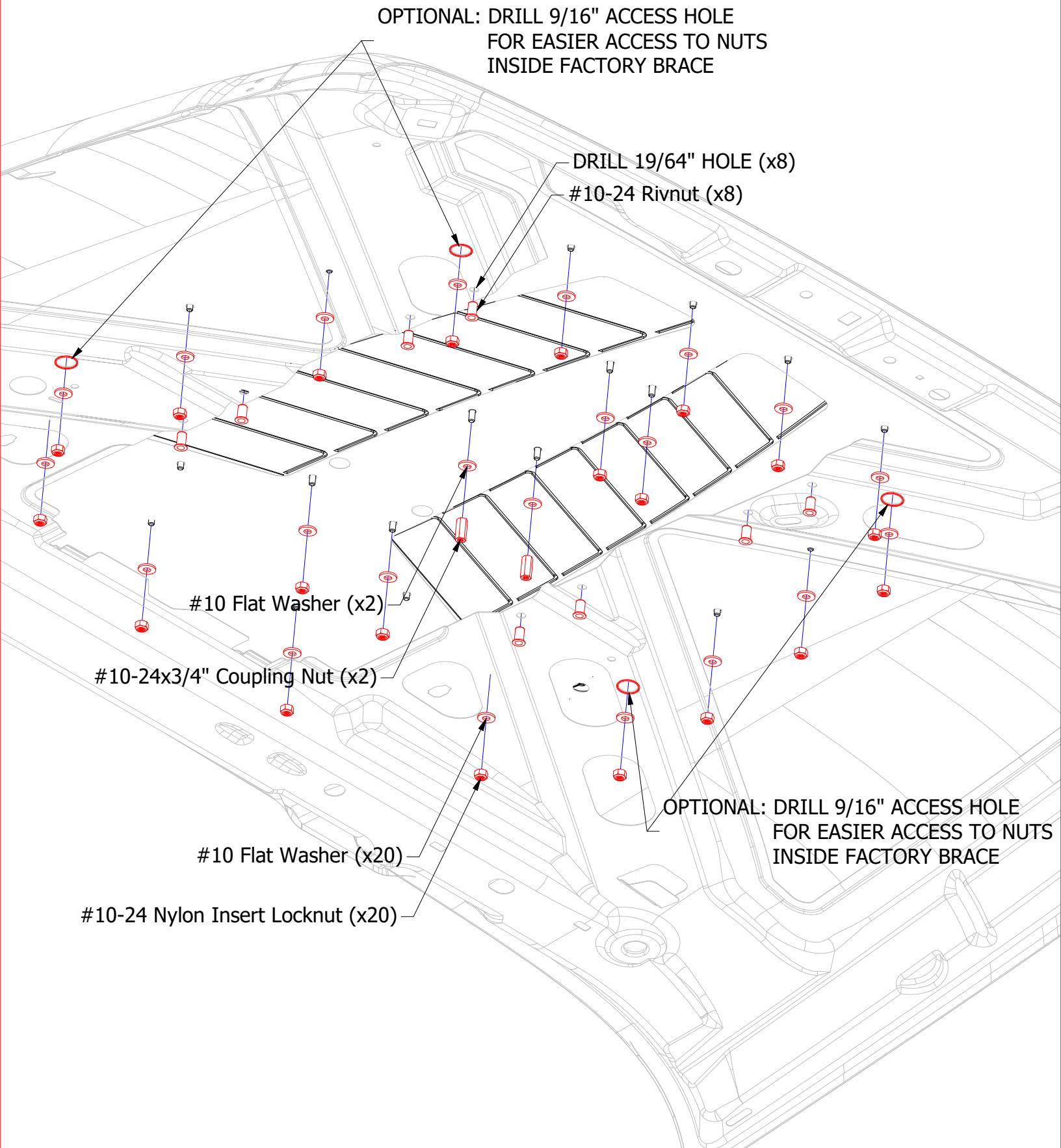
MB5537 - Assembly Instructions JK / JKU Hood Vent Kit



#10-24x1/2" Button Head Socket Screw (x24)

DRILL 7/32" HOLE (x20)

MB5537 - Assembly Instructions JK / JKU Hood Vent Kit



OPTIONAL: DRILL 9/16" ACCESS HOLE FOR EASIER ACCESS TO NUTS INSIDE FACTORY BRACE

DRILL 19/64" HOLE (x8)

#10-24 Rivnut (x8)

#10 Flat Washer (x2)

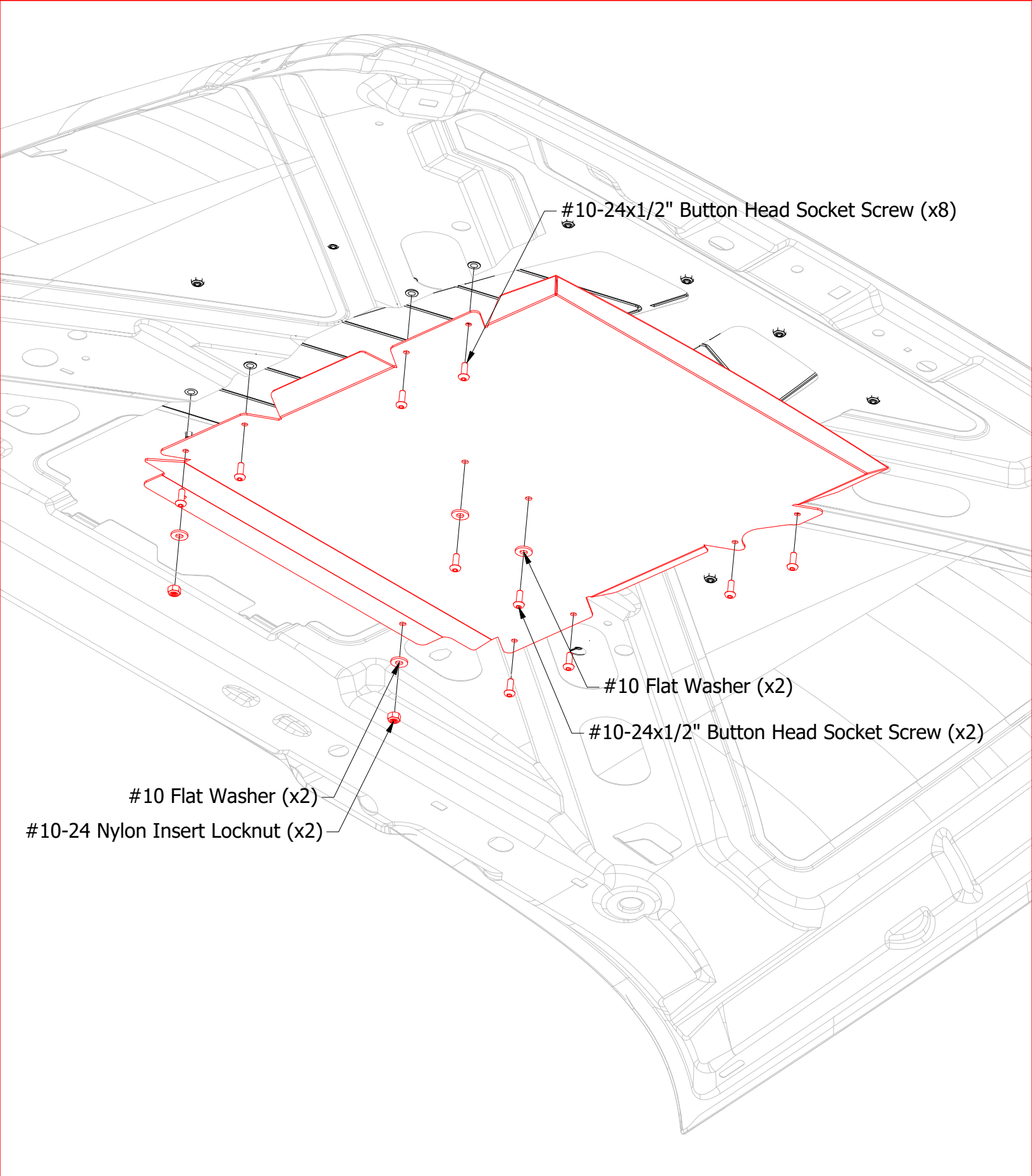
#10-24x3/4" Coupling Nut (x2)

#10 Flat Washer (x20)

#10-24 Nylon Insert Locknut (x20)

OPTIONAL: DRILL 9/16" ACCESS HOLE FOR EASIER ACCESS TO NUTS INSIDE FACTORY BRACE

MB5537 - Assembly Instructions JK / JKU Hood Vent Kit



#10-24x1/2" Button Head Socket Screw (x8)

#10 Flat Washer (x2)

#10-24x1/2" Button Head Socket Screw (x2)

#10 Flat Washer (x2)

#10-24 Nylon Insert Locknut (x2)

MB5537 - Assembly Instructions JK / JKU Hood Vent Kit

FOLD VENTS DOWN TO FORM
LOUVRED SHAPE

