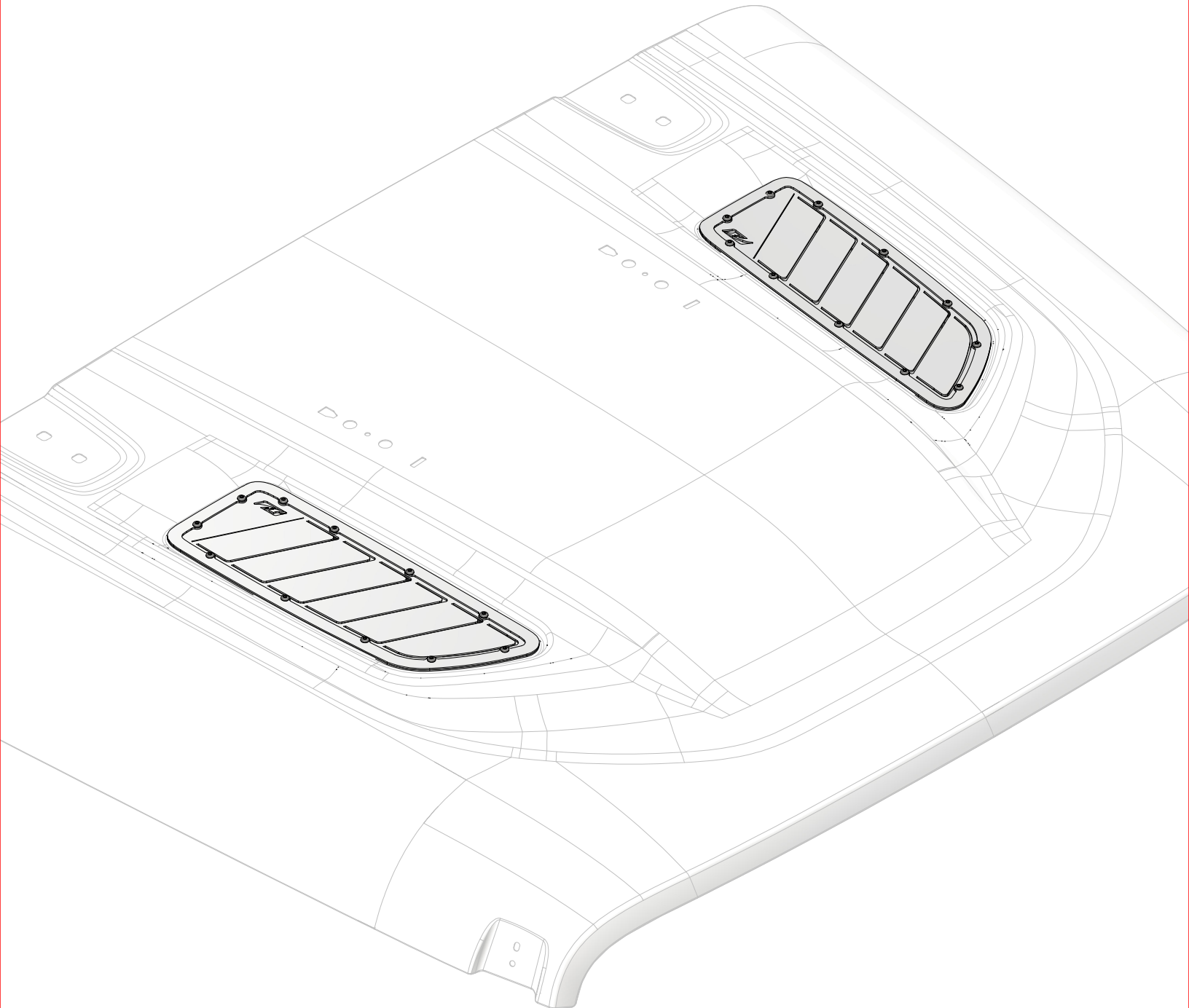


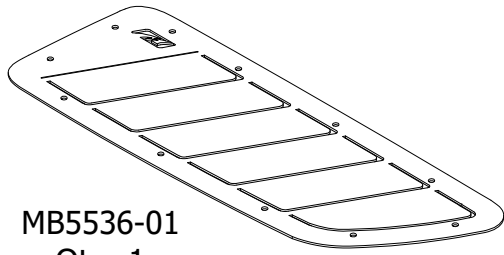
MB5536 - Assembly Instructions JL / JLU / JT Rubicon Hood Vent Kit

MB5536 - RUBICON HOOD VENT KIT

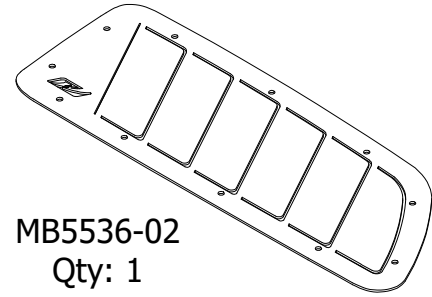
COMPATIBLE WITH JL / JLU / JT



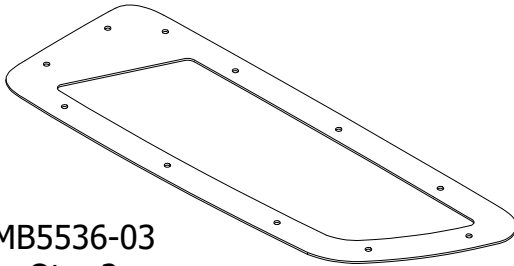
ASSEMBLY INSTRUCTIONS

MB5536 - Shipping JL / JLU / JT Rubicon Hood Vent Kit**CONTENTS**

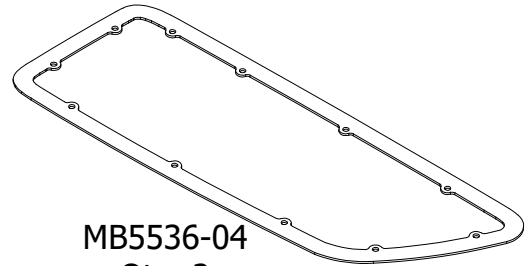
MB5536-01
Qty: 1



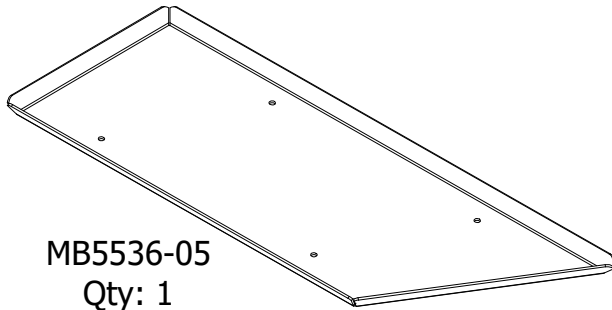
MB5536-02
Qty: 1



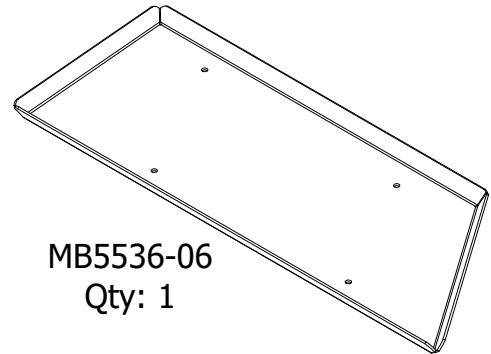
MB5536-03
Qty: 2



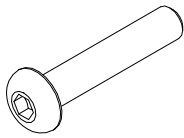
MB5536-04
Qty: 2



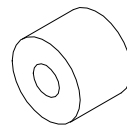
MB5536-05
Qty: 1



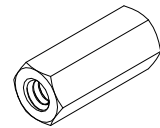
MB5536-06
Qty: 1



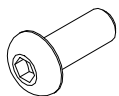
#10-24x1" Button Head Socket Screw
Qty: 22



3/8"OD x 1/2" #10 Spacer
Qty: 22



#10-24x3/4" Coupling Nut
Qty: 8



#10-24x1/2" Button Head Socket Screw
Qty: 8

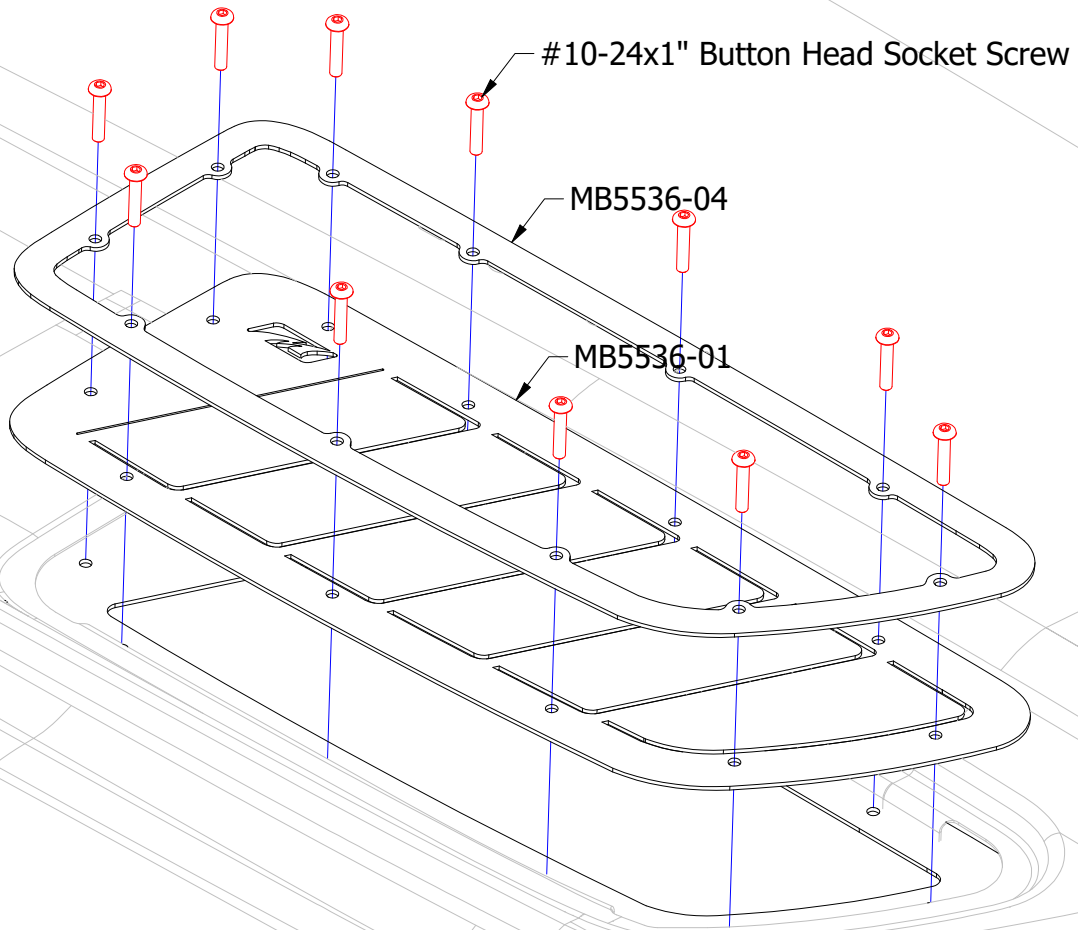


#10 Flat Washer
Qty: 14

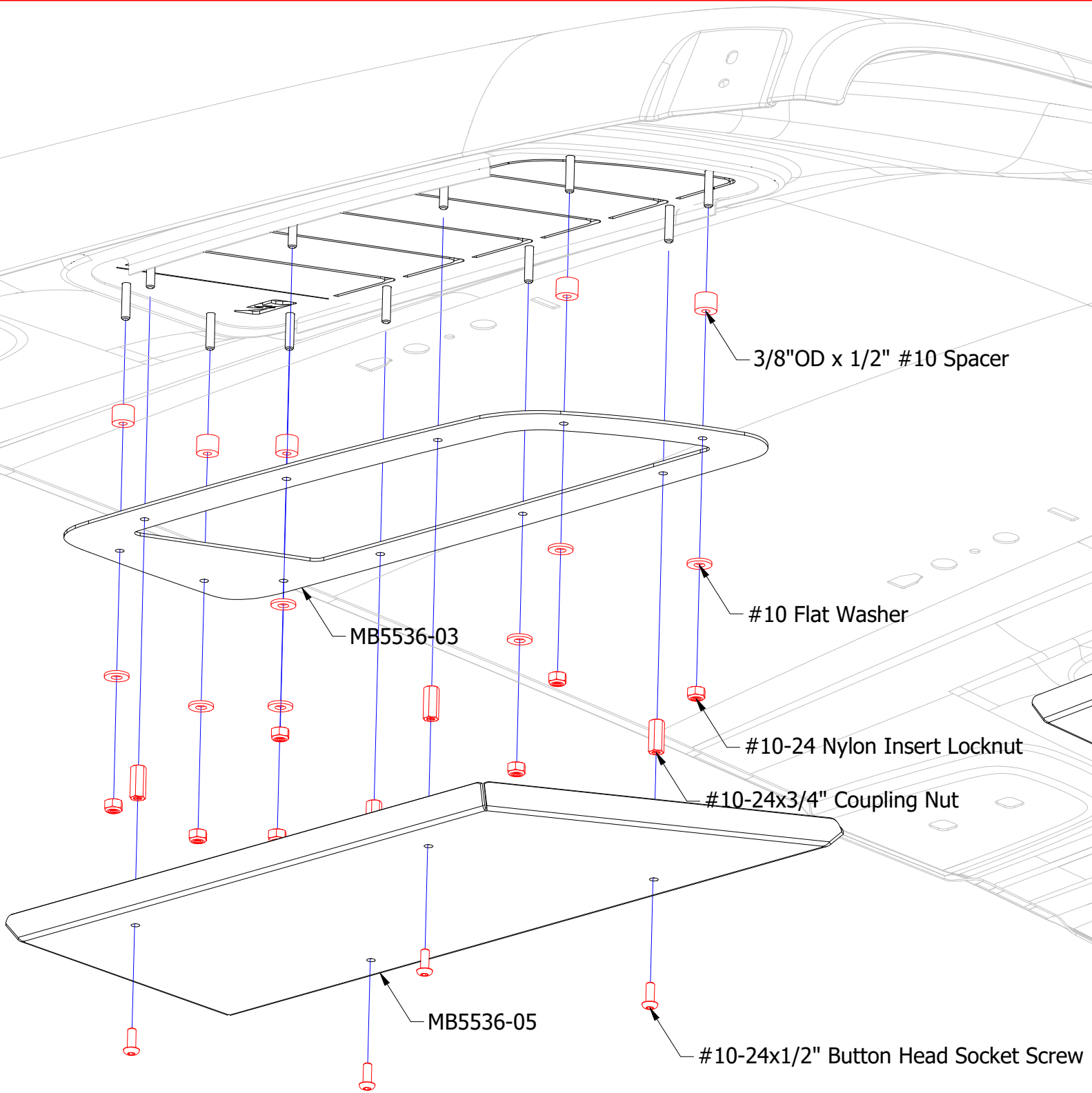


#10-24 Nylon Insert Locknut
Qty: 14

MB5536 - Assembly Instructions JL / JLU / JT Rubicon Hood Vent Kit



MB5536 - Assembly Instructions JL / JLU / JT Rubicon Hood Vent Kit



NOTE: EXTRA SPACERS ARE INCLUDED TO ENSURE PROPER SPACING OF MB5536-03 WHEN USING THIS AS A UNIVERSAL APPLICATION.

MB5536 - Assembly Instructions JL / JLU / JT Rubicon Hood Vent Kit

FOLD VENTS DOWN TO FORM LOUVRED SHAPE

