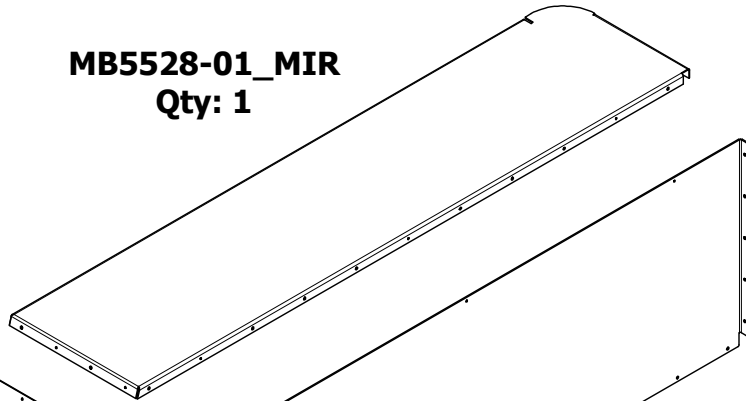
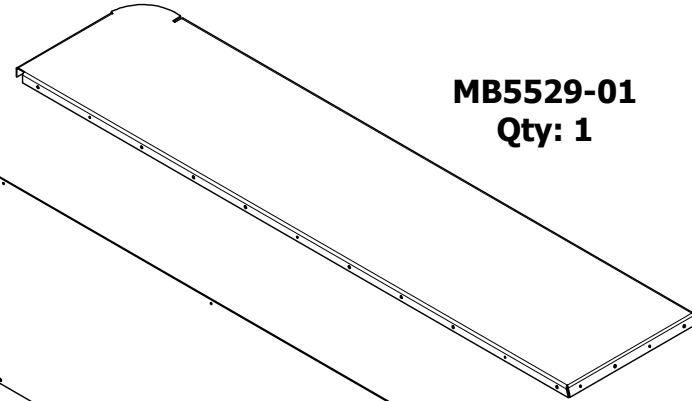


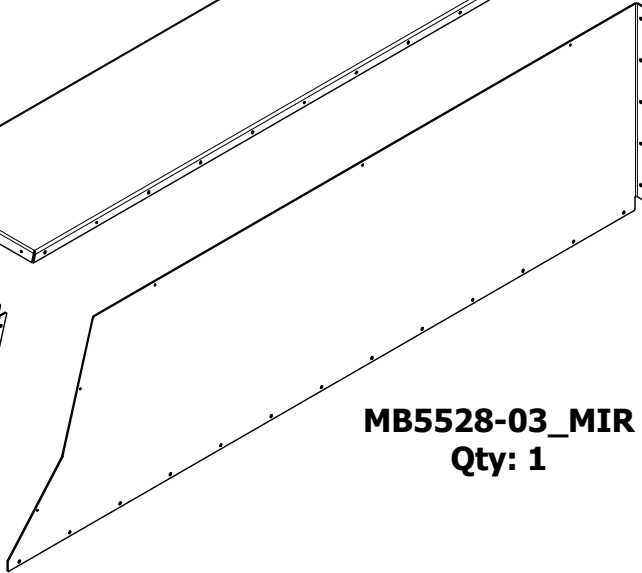
MB5528-01_MIR
Qty: 1



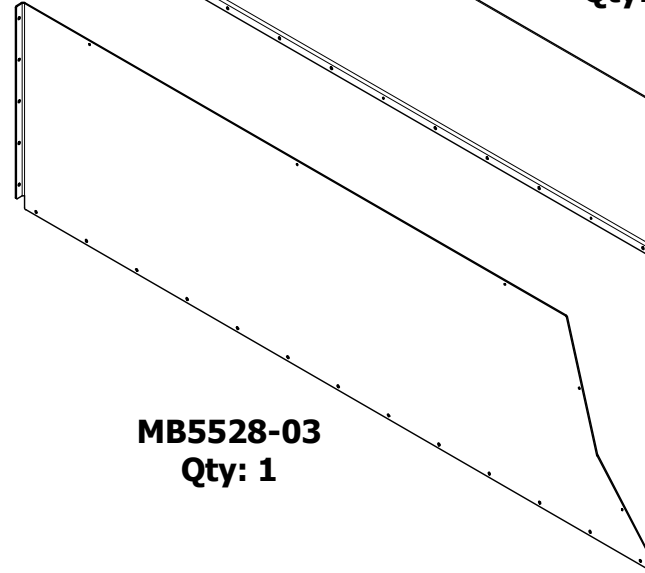
MB5529-01
Qty: 1



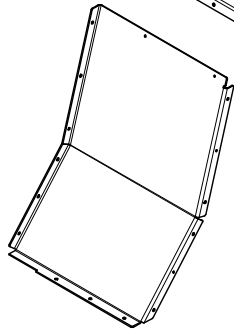
MB5528-03_MIR
Qty: 1



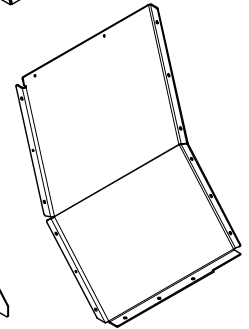
MB5528-03
Qty: 1



MB5528-02_MIR
Qty: 1



MB5529-02
Qty: 1



Dwg/Part No:

MB5529 - Shipping

Description:

YJ Rear Inner Fenders - Highline 15" Stretch

Sheet No: **1** of **1**

Rev No: **0**

Mat'l: