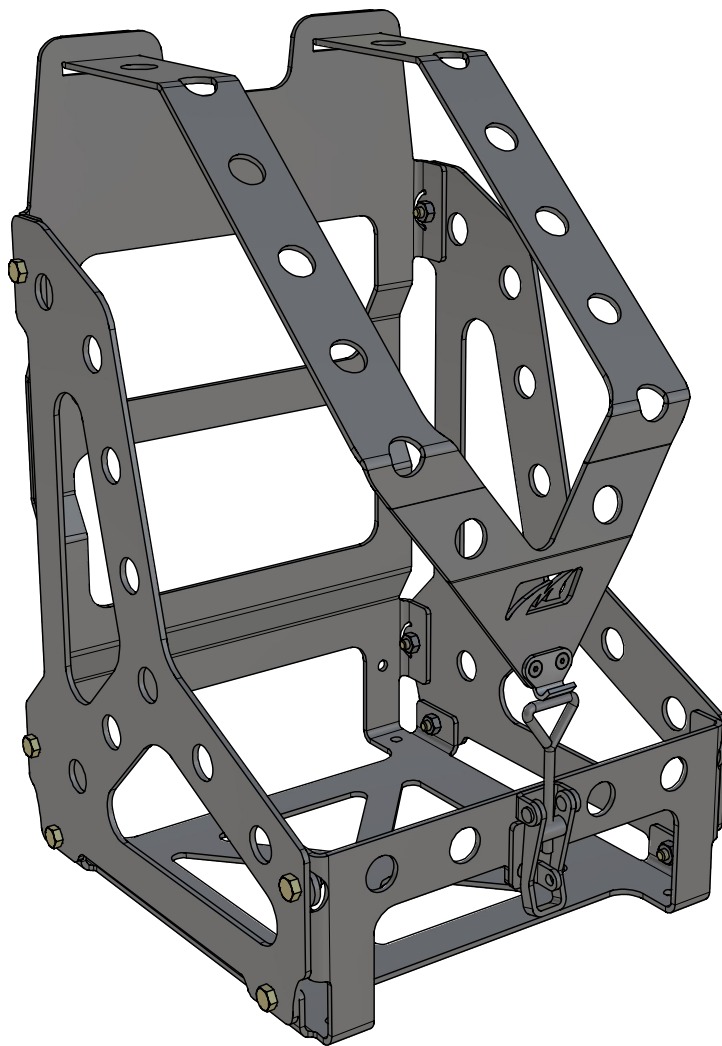
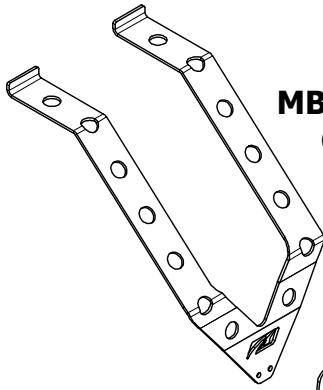


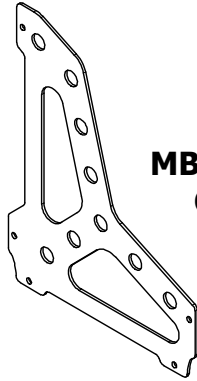
JERRY CAN 5 GALLON MOUNT



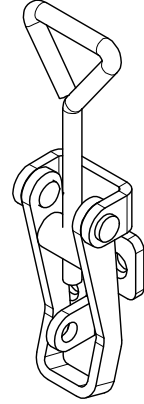
ASSEMBLY INSTRUCTIONS

MB5526 - Assembly Instructions VP Gas Can Mount**KIT COMPONENTS**

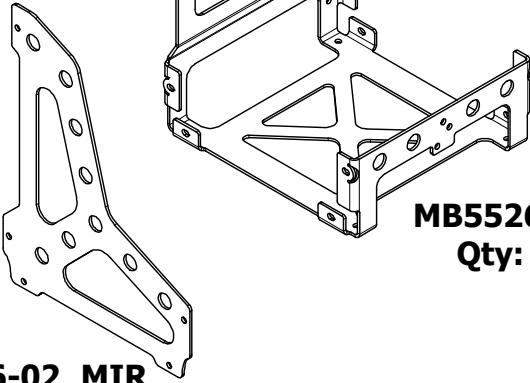
MB5526-03
Qty: 1



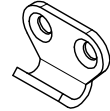
MB5526-02
Qty: 1



TOGGLE CLAMP
Qty: 1

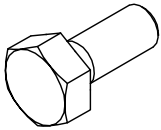


MB5526-01
Qty: 1

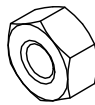


**TOGGLE CLAMP
KEEPER**
Qty: 1

MB5526-02_MIR
Qty: 1



HEX BOLT
1/4"-20 x 5/8" GR 8
Qty: 10



NYLOCK THIN NUT
1/4"-20
Qty: 10



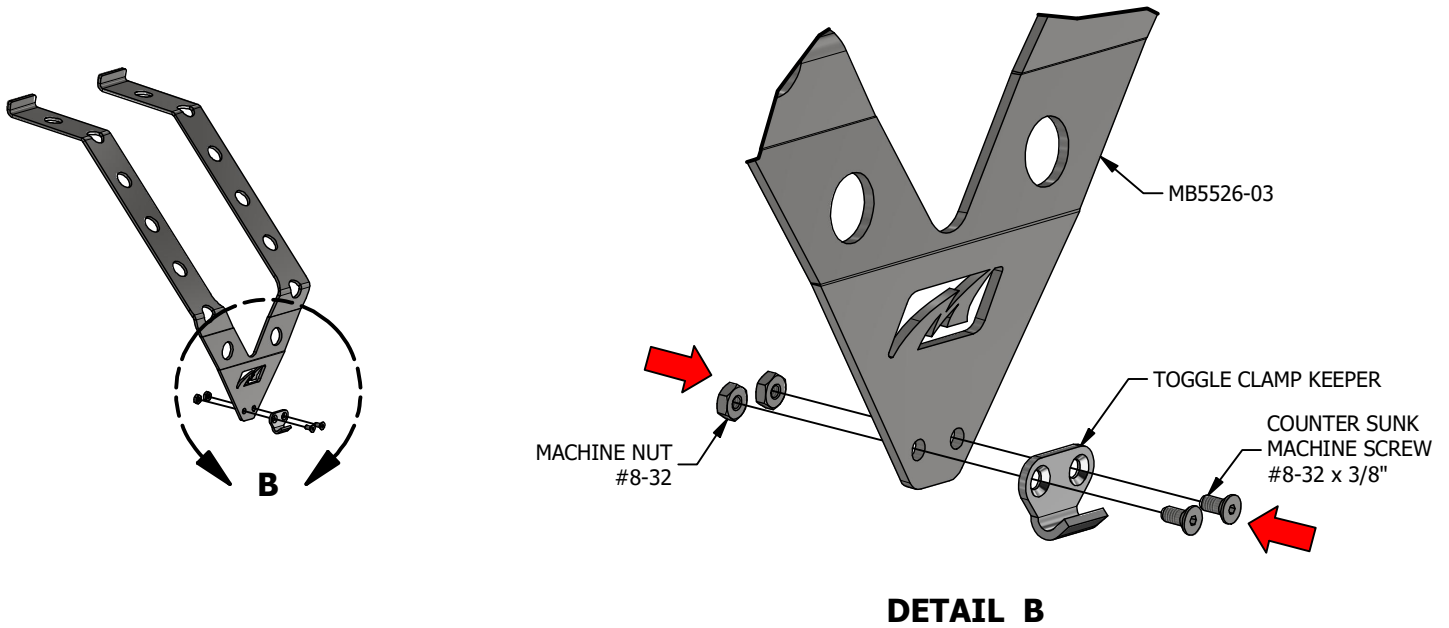
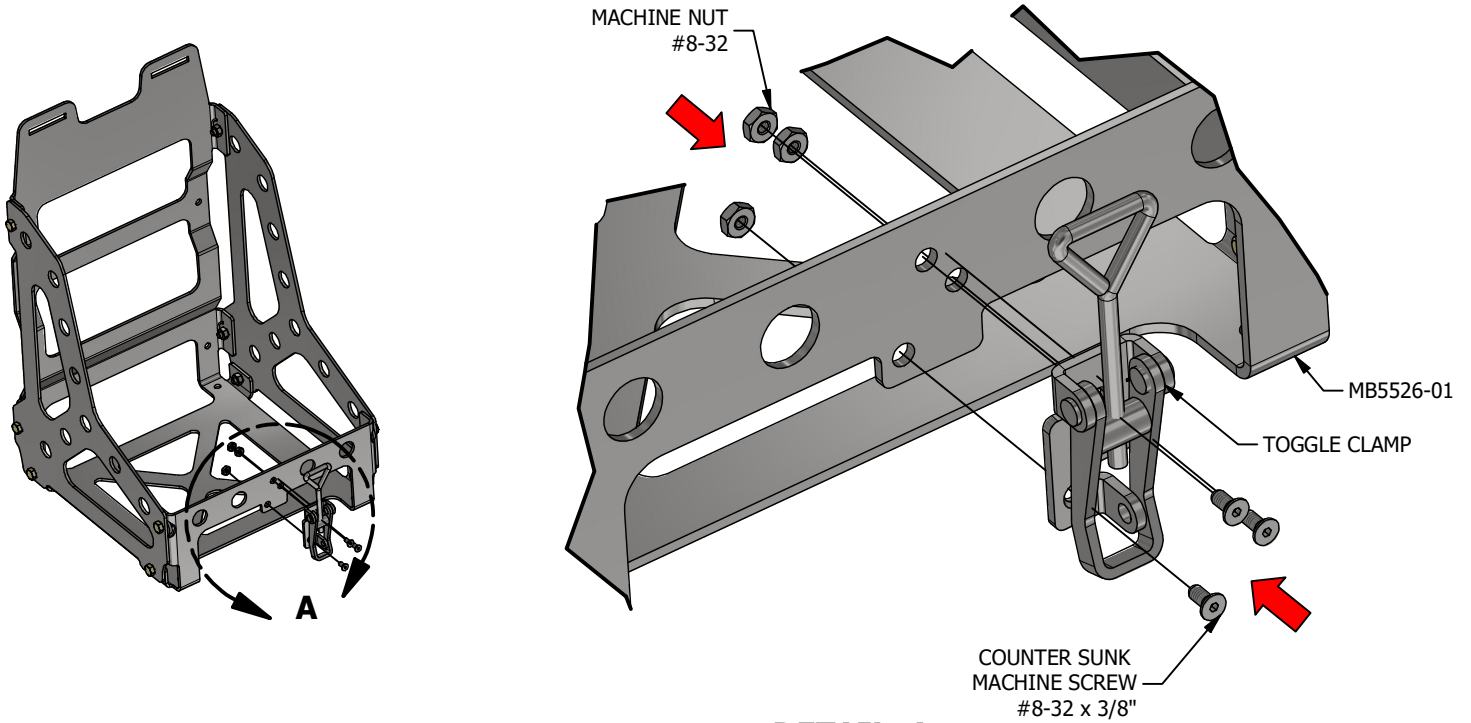
**COUNTER SUNK
MACHINE SCREW**
#8-32 x 3/8"
Qty: 5



MACHINE NUT
#8-32
Qty: 5

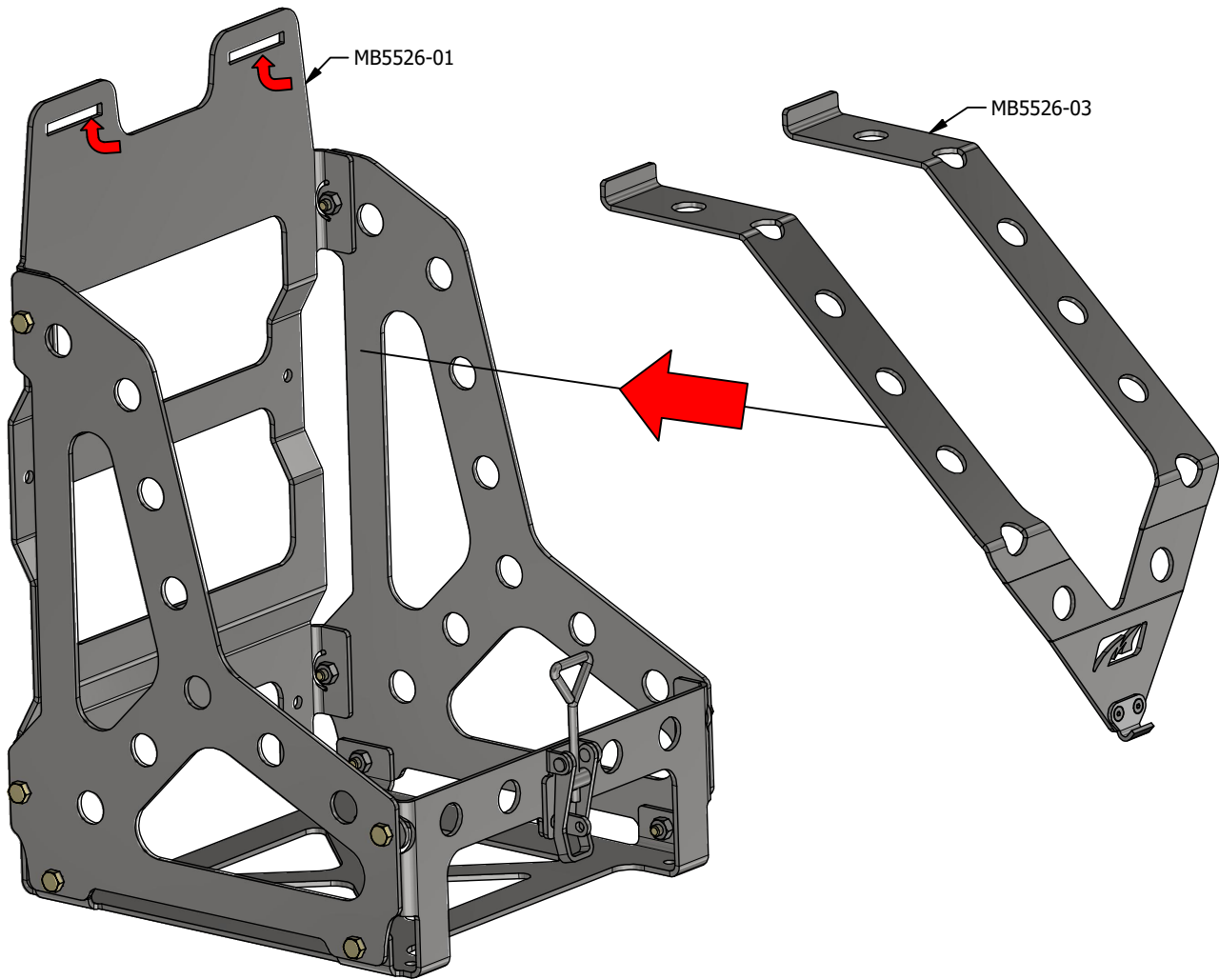
MB5526 - Assembly Instructions VP Gas Can Mount

ASSEMBLY - CLAMP



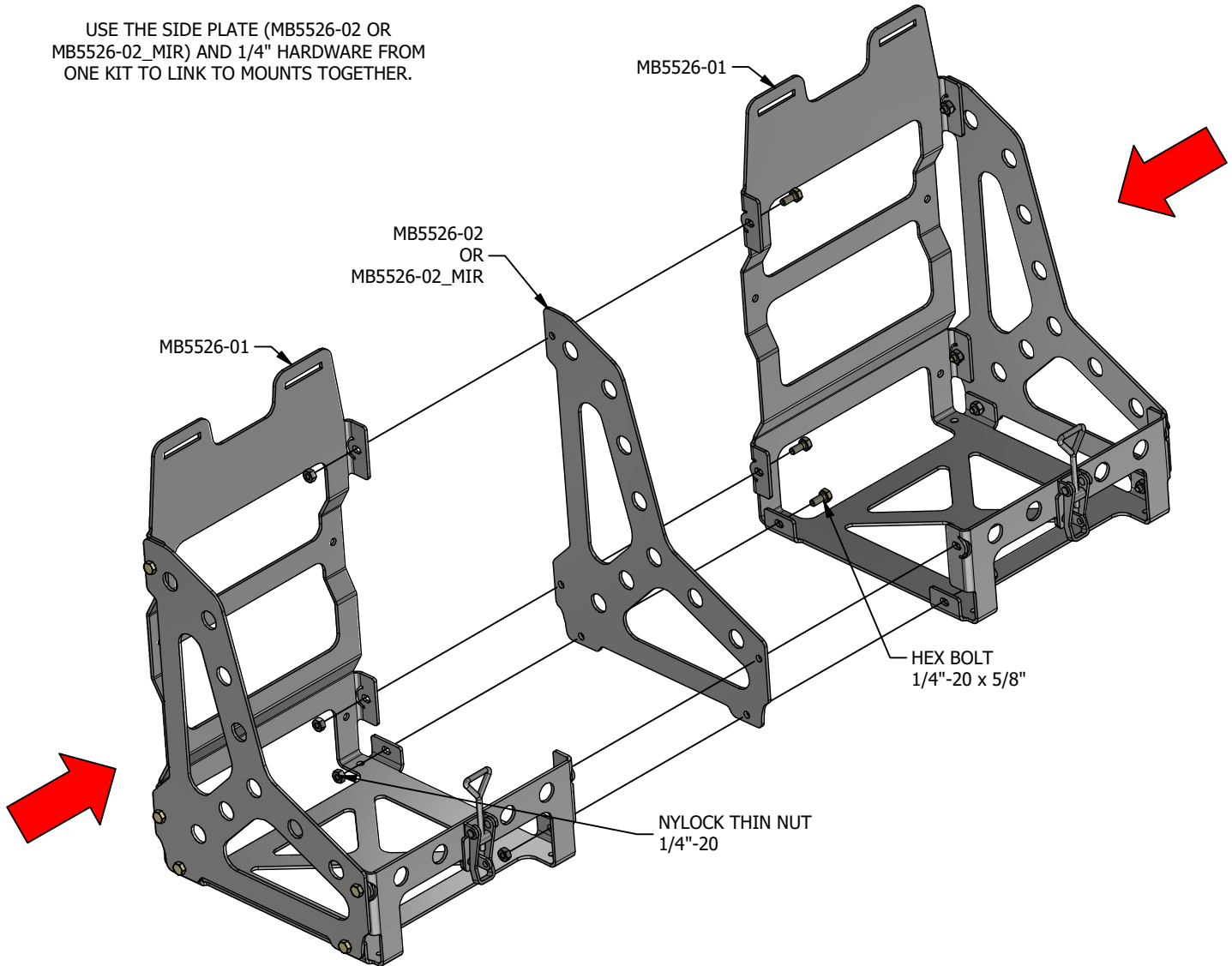
MB5526 - Assembly Instructions VP Gas Can Mount

ASSEMBLY - MOUNT



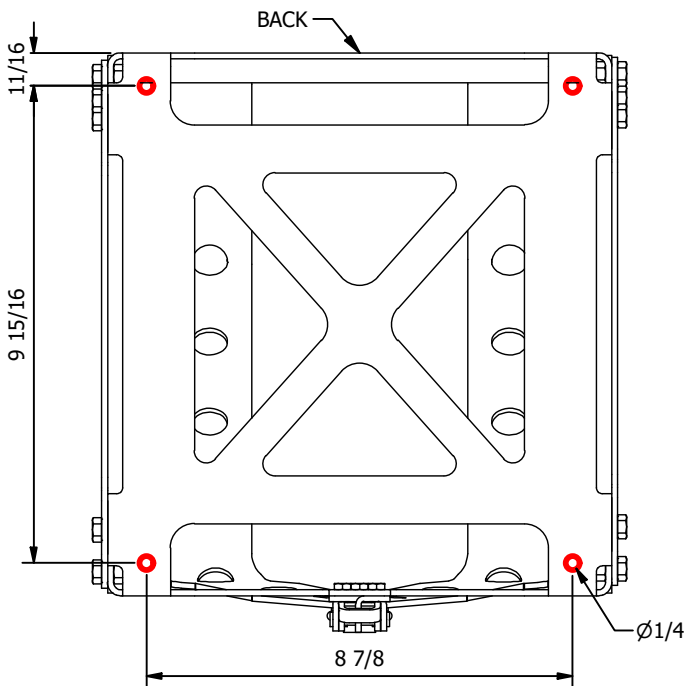
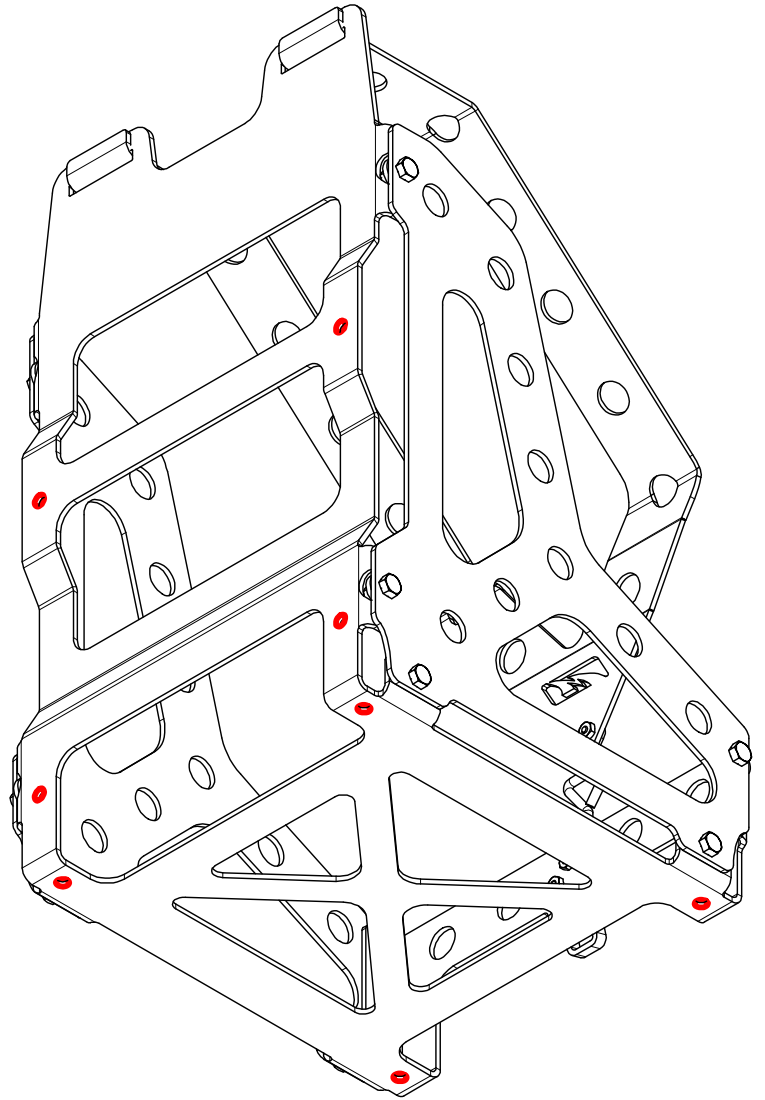
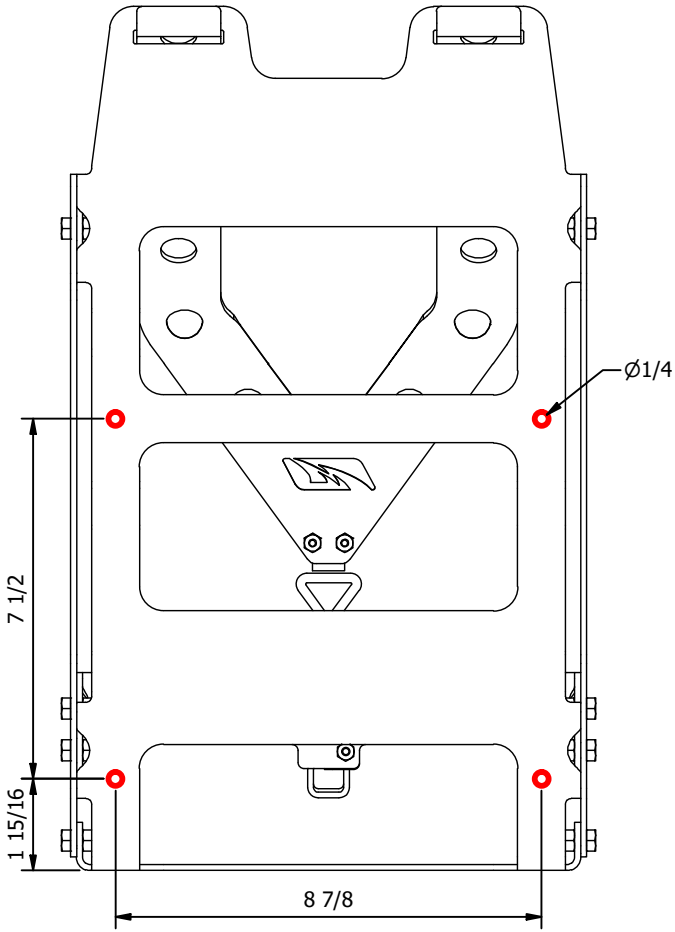
MB5526 - Assembly Instructions VP Gas Can Mount**LINKING**

USE THE SIDE PLATE (MB5526-02 OR MB5526-02_MIR) AND 1/4" HARDWARE FROM ONE KIT TO LINK TO MOUNTS TOGETHER.



MB5526 - Assembly Instructions VP Gas Can Mount

MOUNTING



MB5526 - Assembly Instructions VP Gas Can Mount

INTERNAL DIMENSIONS

