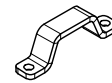
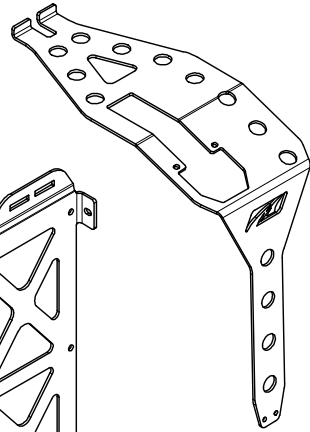
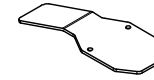


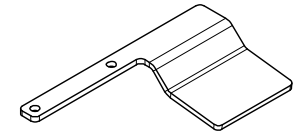
MB5525-03
Qty: 1



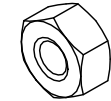
MB5525-04
Qty: 1



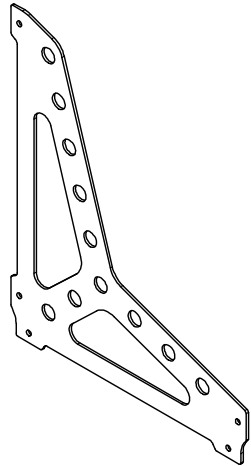
MB5525-05
Qty: 1



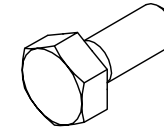
MB5525-06
Qty: 1



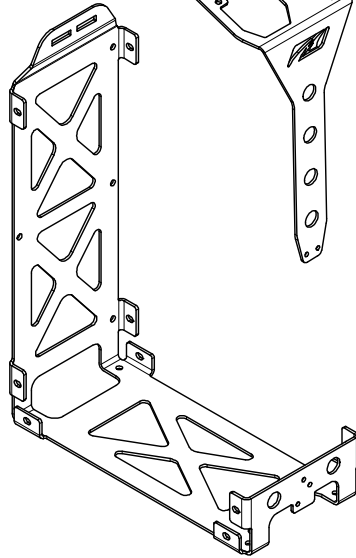
NYLOCK THIN NUT
1/4"-20
Qty: 10



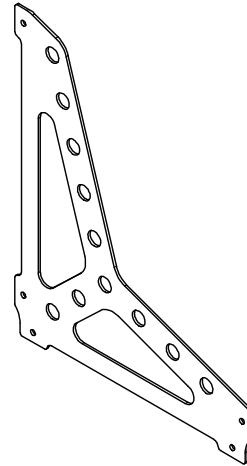
MB5525-02
Qty: 1



HEX BOLT
1/4"-20 x 5/8" GR 8
Qty: 10



MB5525-01
Qty: 1



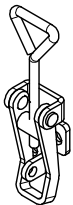
MB5525-02_MIR
Qty: 1



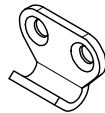
**COUNTER SUNK
MACHINE SCREW**
#8-32 x 3/8"
Qty: 5



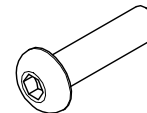
MACHINE NUT
#8-32
Qty: 5



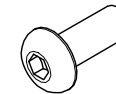
TOGGLE CLAMP
Qty: 1



**TOGGLE CLAMP
KEEPER**
Qty: 1



**BUTTON HEAD
MACHINE SCREW**
#10-24 x 3/4"
Qty: 2



**BUTTON HEAD
MACHINE SCREW**
#10-24 x 1/2"
Qty: 2



NYLOCK NUT
#10-24
Qty: 2



Dwg/Part No:
MB5525 - Shipping

Description:
Jerry Can 5 Gal. Mount

Sheet No: **1** of **1**
Rev No: **0**

Mat'l: