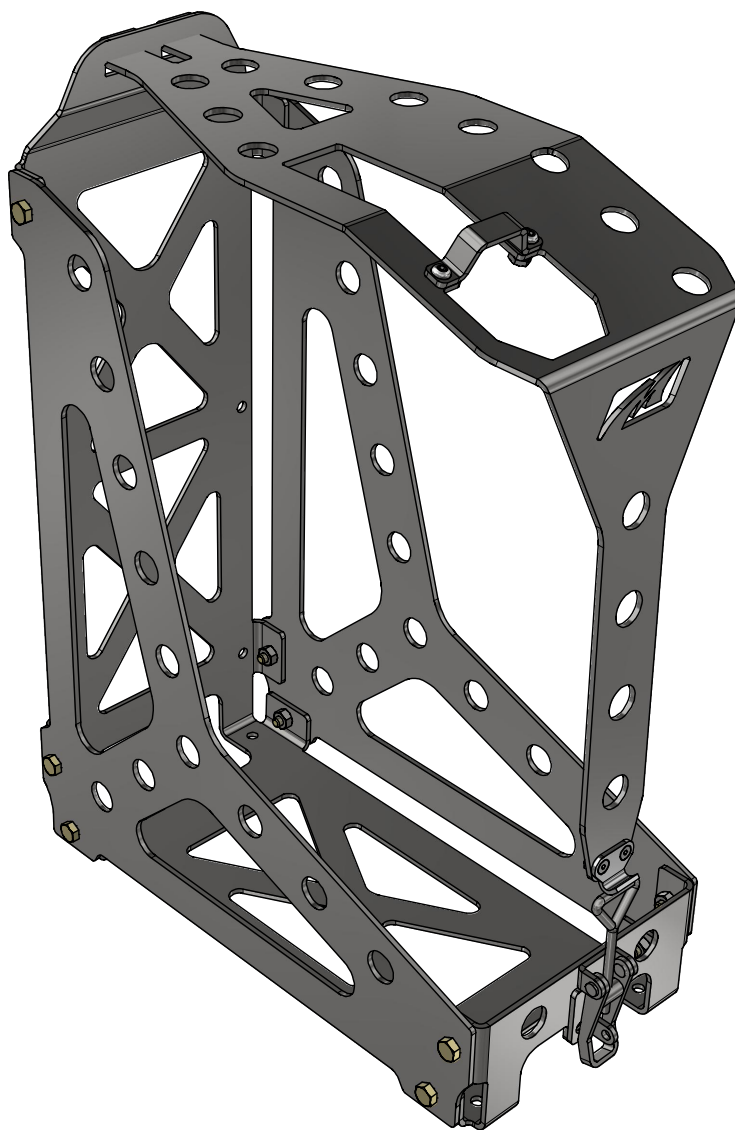


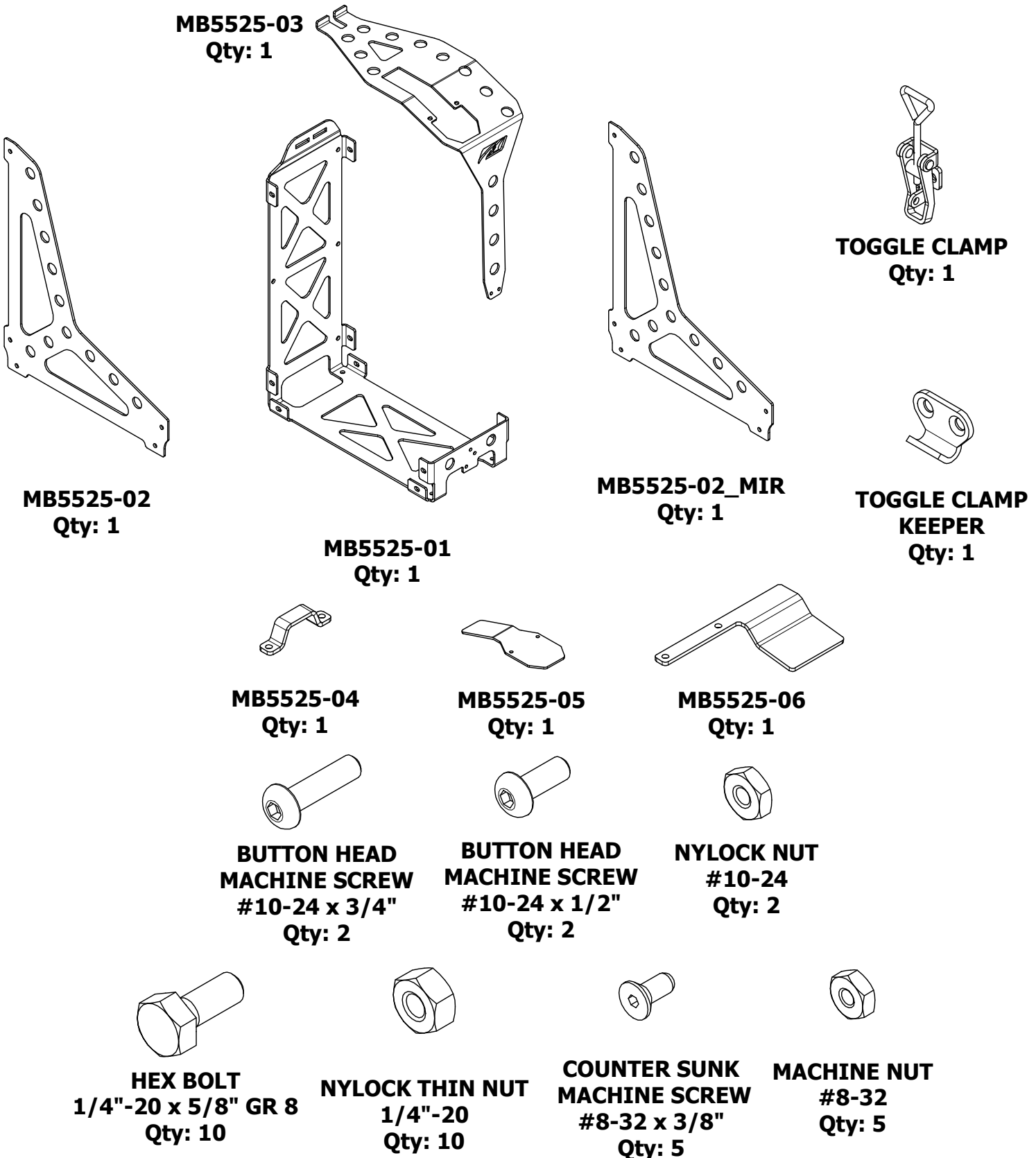
JERRY CAN 5 GALLON MOUNT



ASSEMBLY INSTRUCTIONS

MB5525 - Assembly Instructions Jerry Can 5 Gal Mount

KIT COMPONENTS



MB5525-03
Qty: 1

TOGGLE CLAMP
Qty: 1

MB5525-02
Qty: 1

MB5525-02_MIR
Qty: 1

**TOGGLE CLAMP
KEEPER**
Qty: 1

MB5525-01
Qty: 1

MB5525-04
Qty: 1

MB5525-05
Qty: 1

MB5525-06
Qty: 1

**BUTTON HEAD
MACHINE SCREW**
#10-24 x 3/4"
Qty: 2

**BUTTON HEAD
MACHINE SCREW**
#10-24 x 1/2"
Qty: 2

NYLOCK NUT
#10-24
Qty: 2

HEX BOLT
1/4"-20 x 5/8" GR 8
Qty: 10

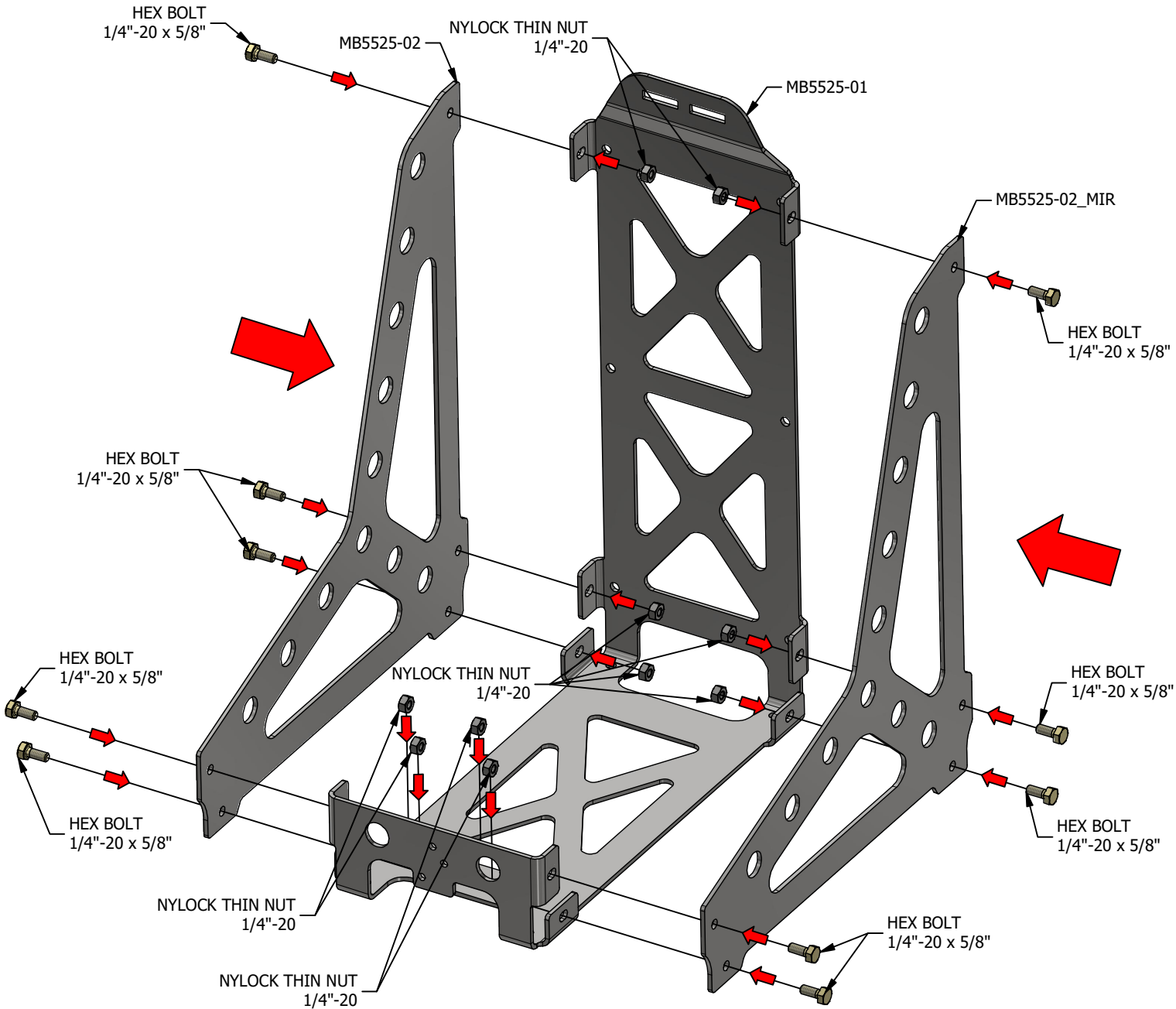
NYLOCK THIN NUT
1/4"-20
Qty: 10

**COUNTER SUNK
MACHINE SCREW**
#8-32 x 3/8"
Qty: 5

MACHINE NUT
#8-32
Qty: 5

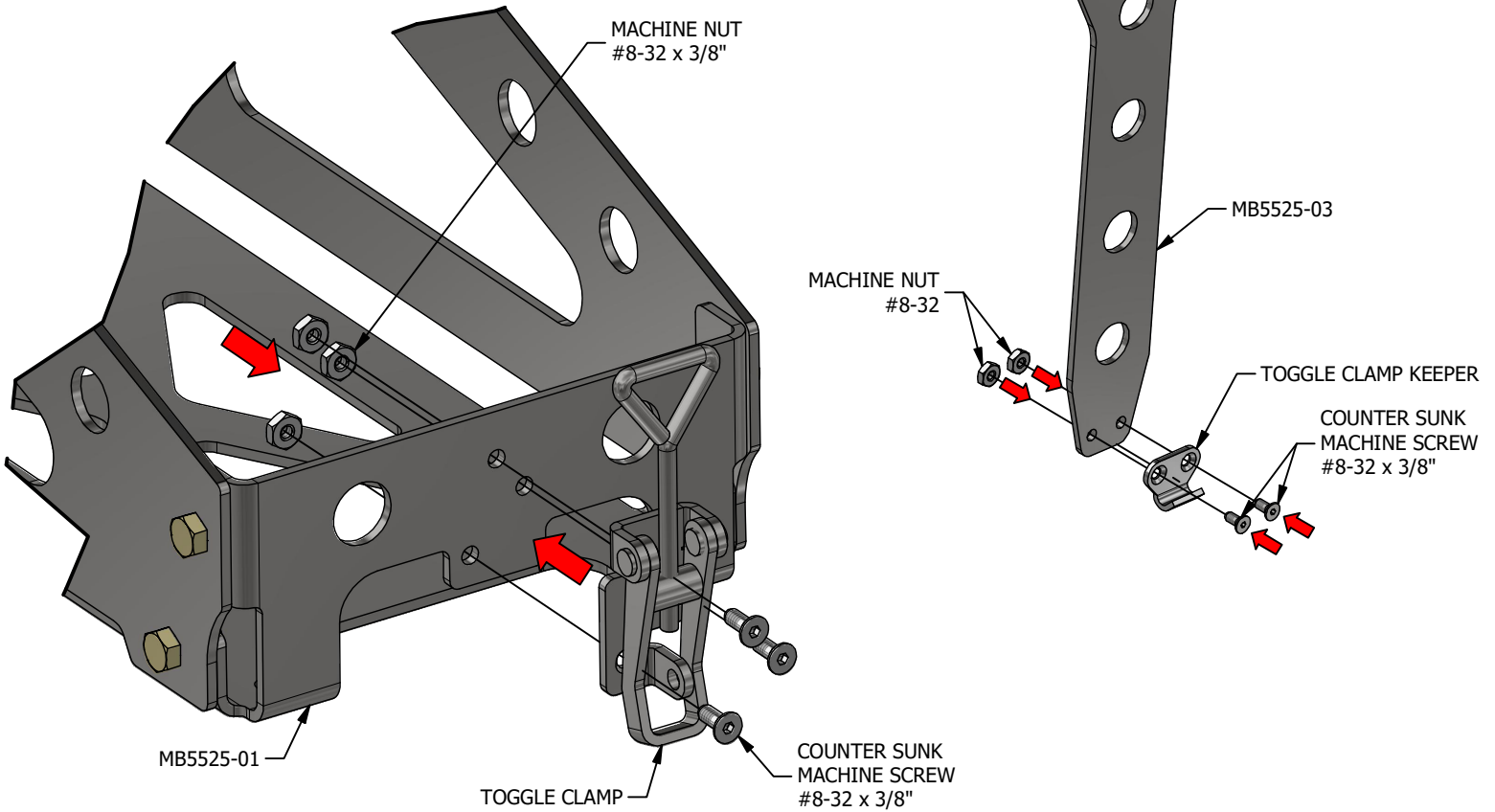
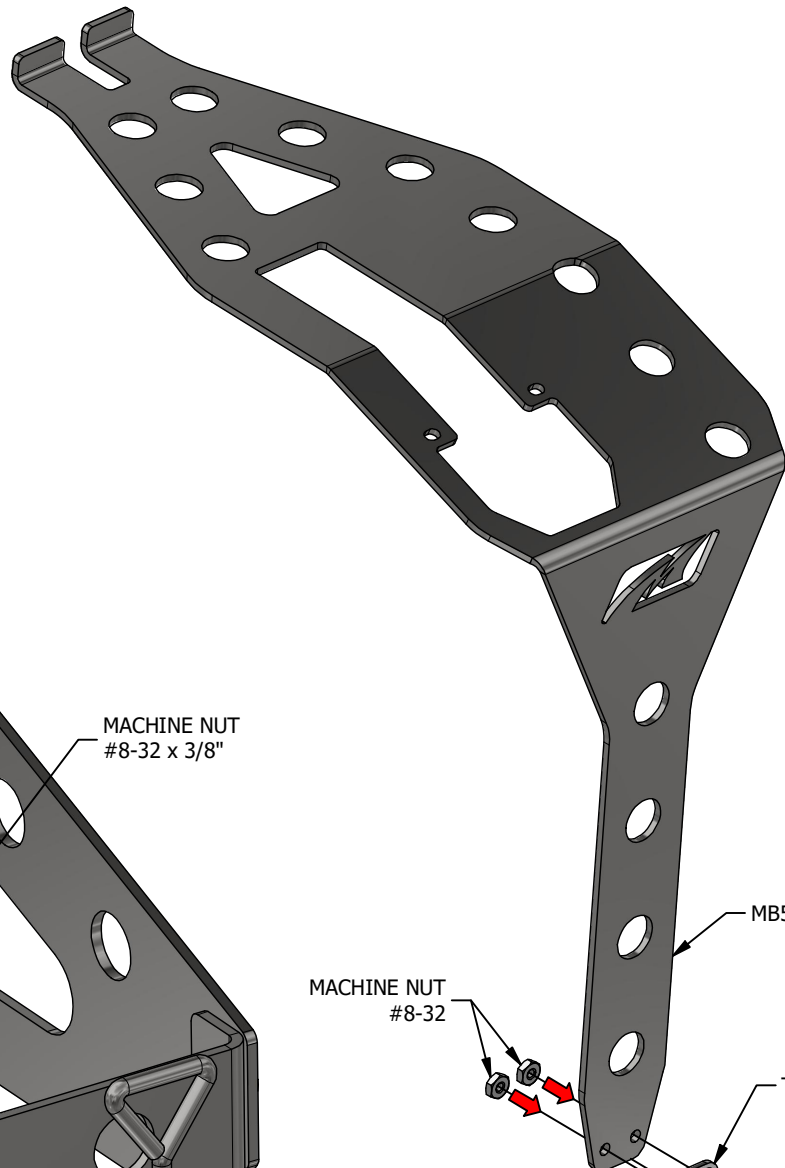
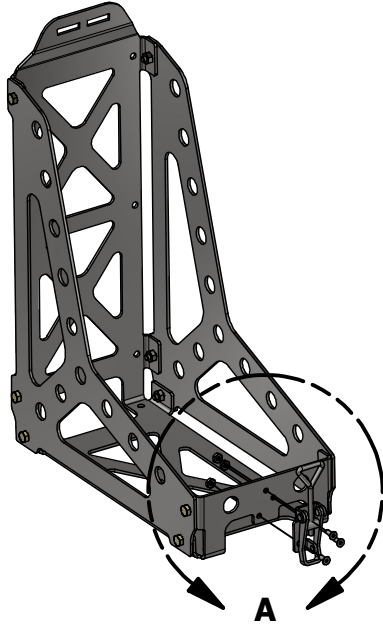
MB5525 - Assembly Instructions Jerry Can 5 Gal Mount

ASSEMBLY - BASE



MB5525 - Assembly Instructions Jerry Can 5 Gal Mount

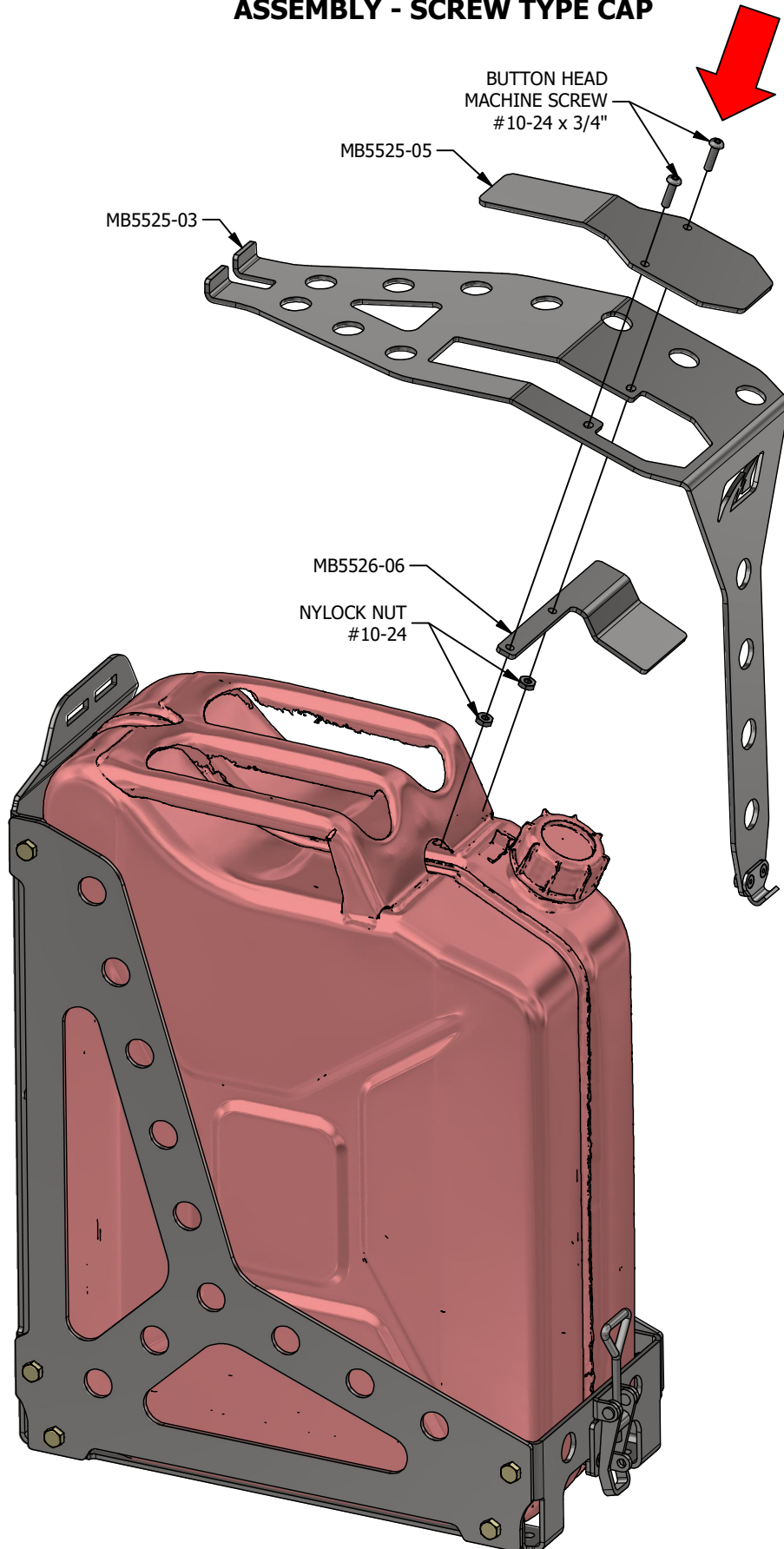
ASSEMBLY - LATCH



DETAIL A

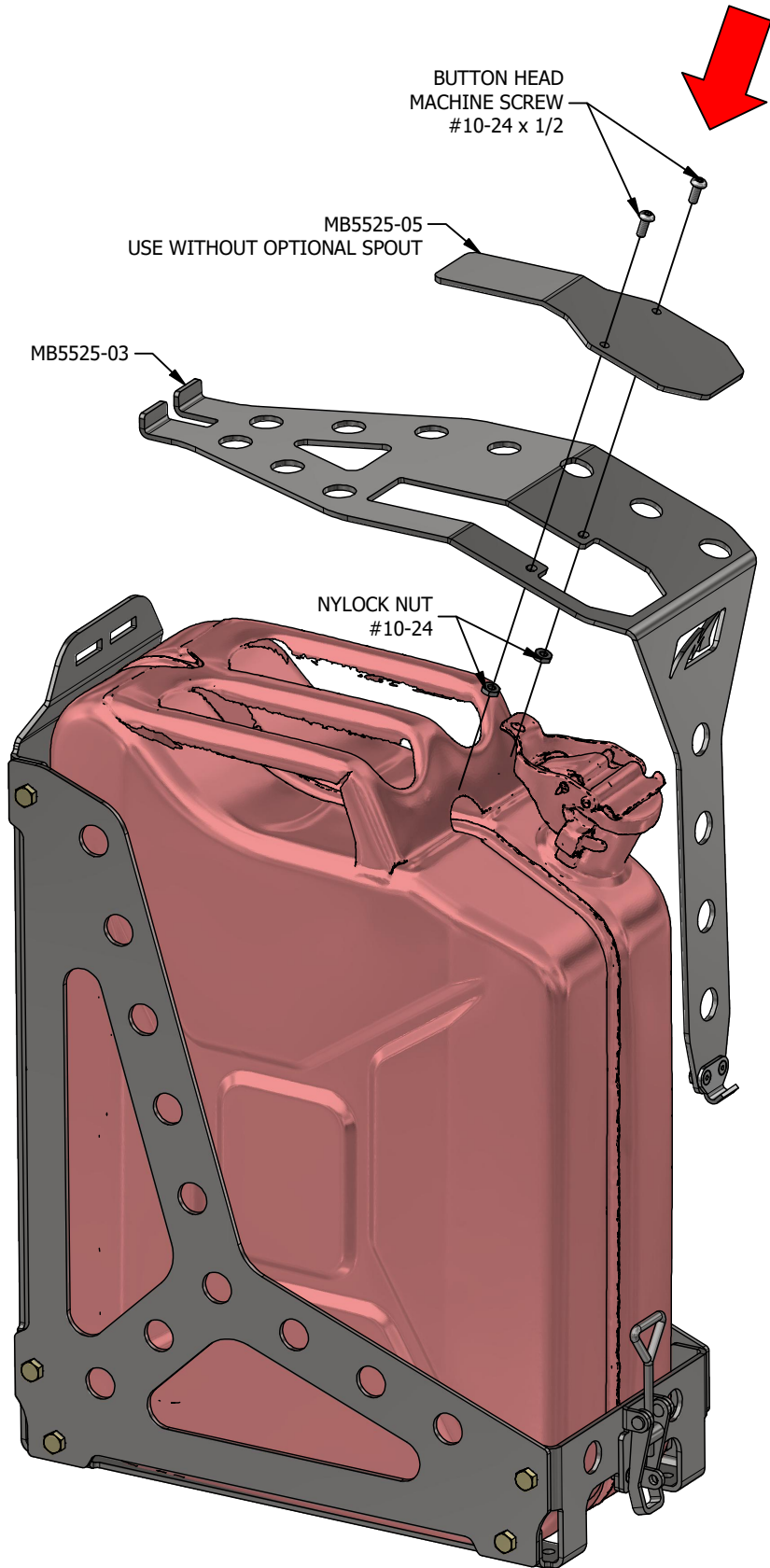
MB5525 - Assembly Instructions Jerry Can 5 Gal Mount

ASSEMBLY - SCREW TYPE CAP



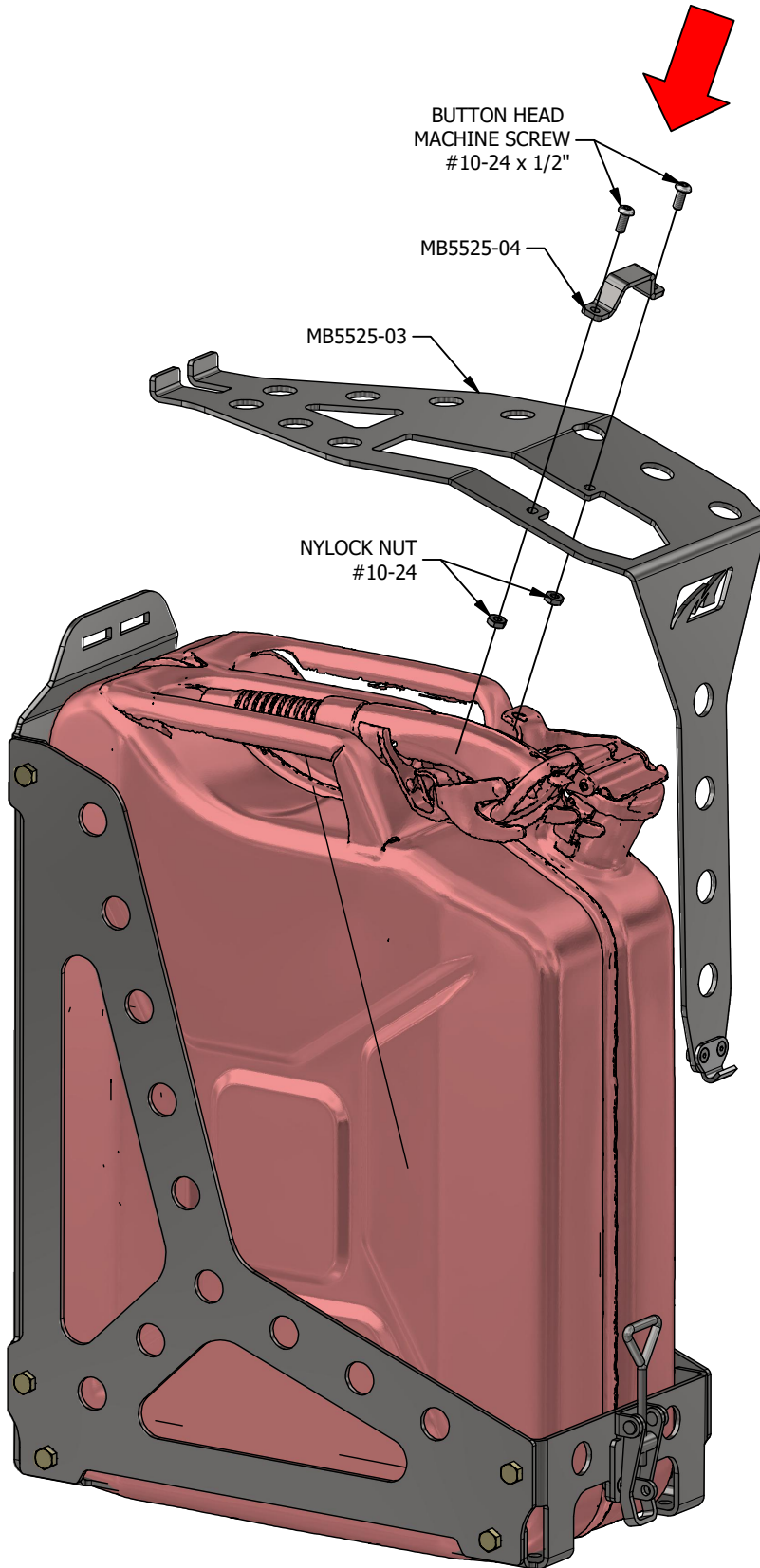
MB5525 - Assembly Instructions Jerry Can 5 Gal Mount

ASSEMBLY - LATCH TYPE CAP



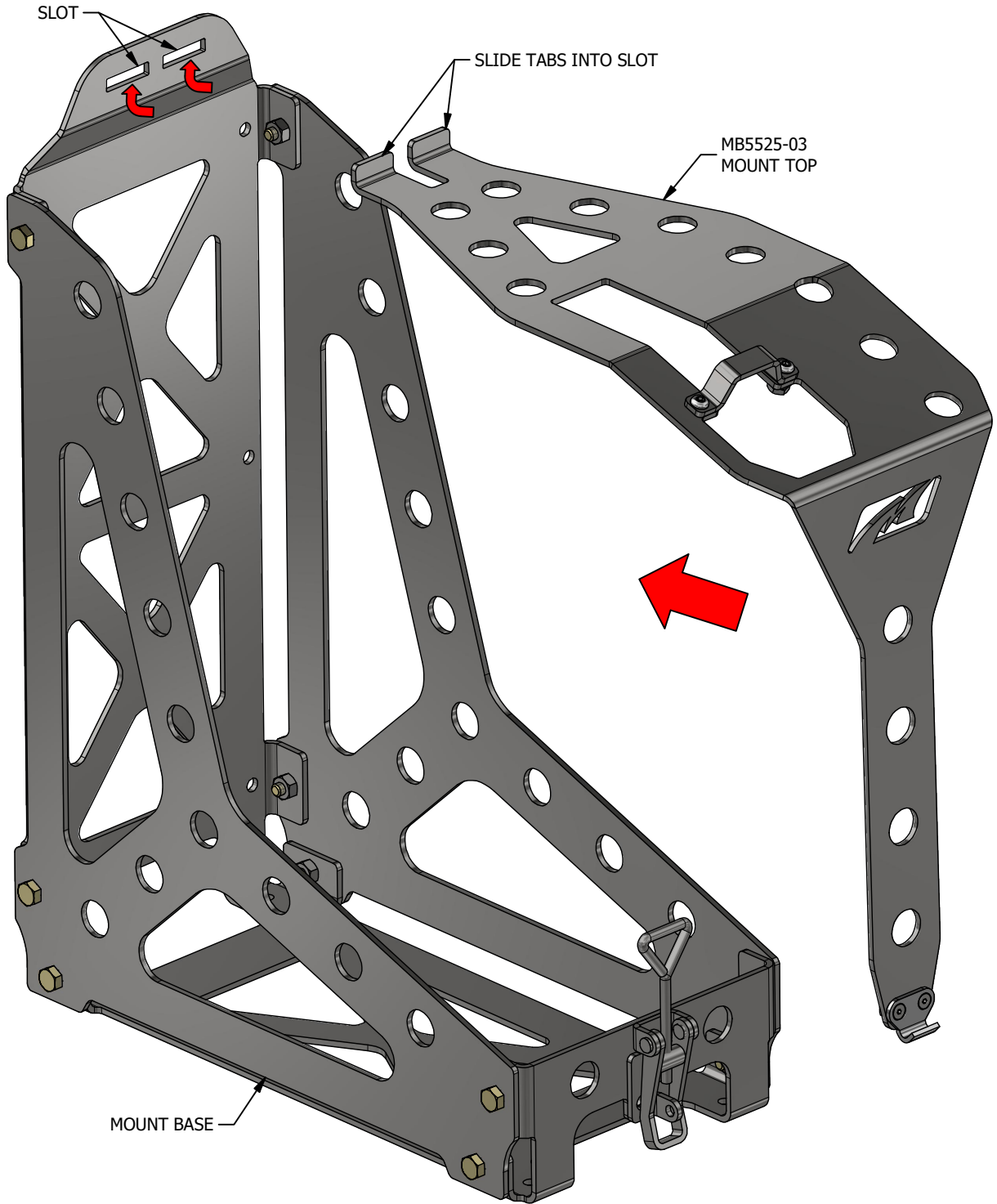
MB5525 - Assembly Instructions Jerry Can 5 Gal Mount

ASSEMBLY - LATCH TYPE CAP WITH OPTIONAL SPOUT



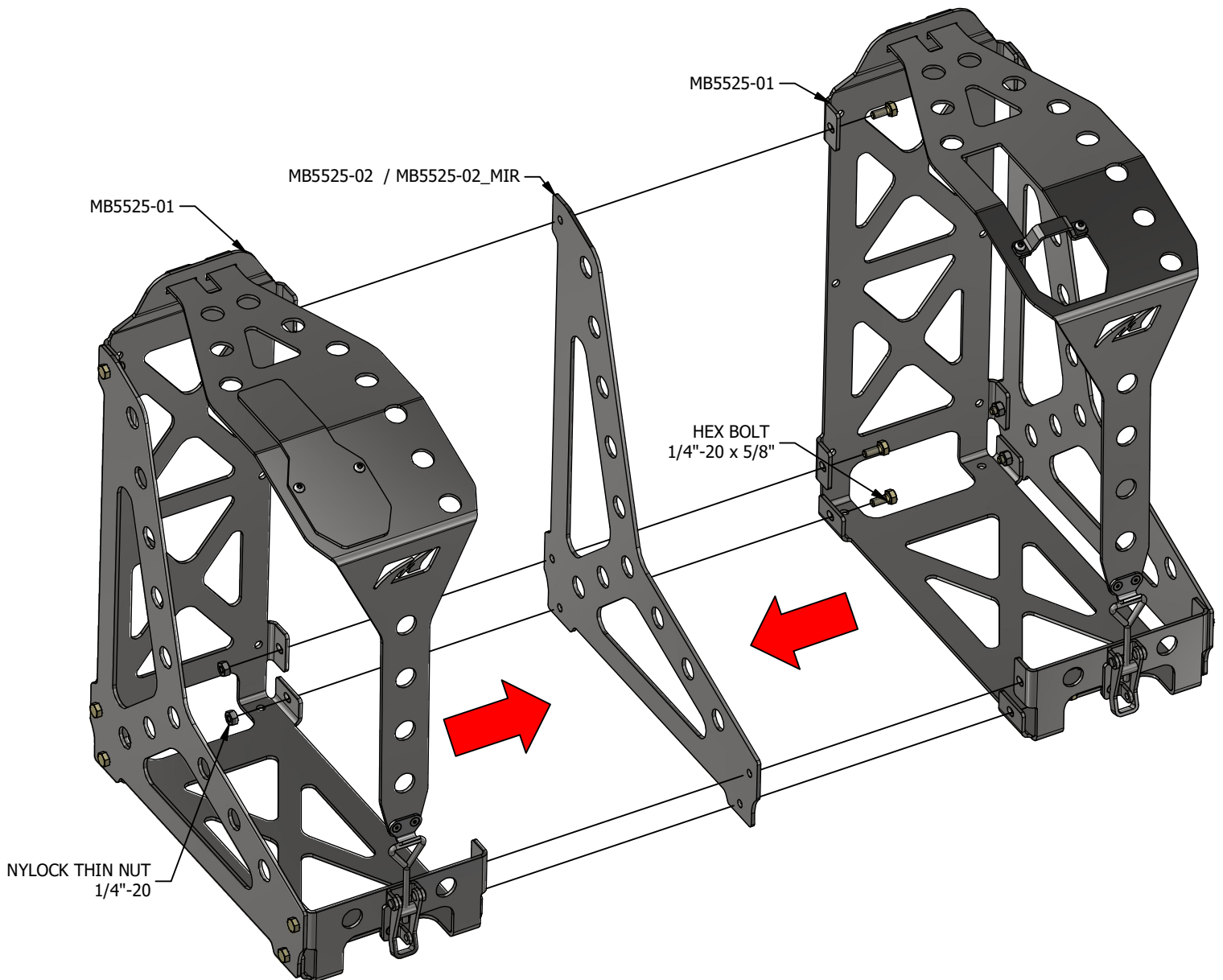
MB5525 - Assembly Instructions Jerry Can 5 Gal Mount

ASSEMBLY



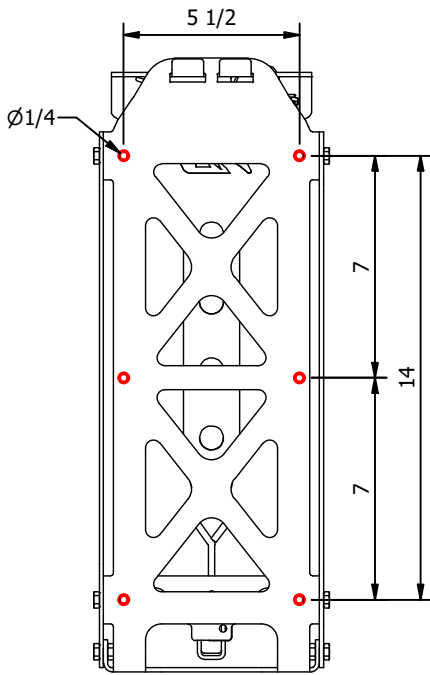
MB5525 - Assembly Instructions Jerry Can 5 Gal Mount**LINKING MULTIPLE ASSEMBLIES**

WHEN LINKING MULTIPLE MOUNTS TOGETHER USE ONE SIDE PLATE (MB5525-02 / MB5525-02_MIR) TO SHARE BETWEEN THE TWO ASSEMBLIES. BOLT MB5525-02 / MB5525-02_MIR IN BETWEEN THE TWO MB5525-01 PLATES AND FASTEN USING THE 1/4" HARDWARE FROM ONE OF THE ASSEMBLIES.

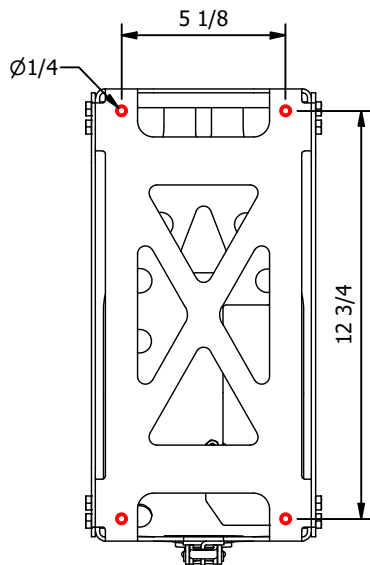


MB5525 - Assembly Instructions Jerry Can 5 Gal Mount

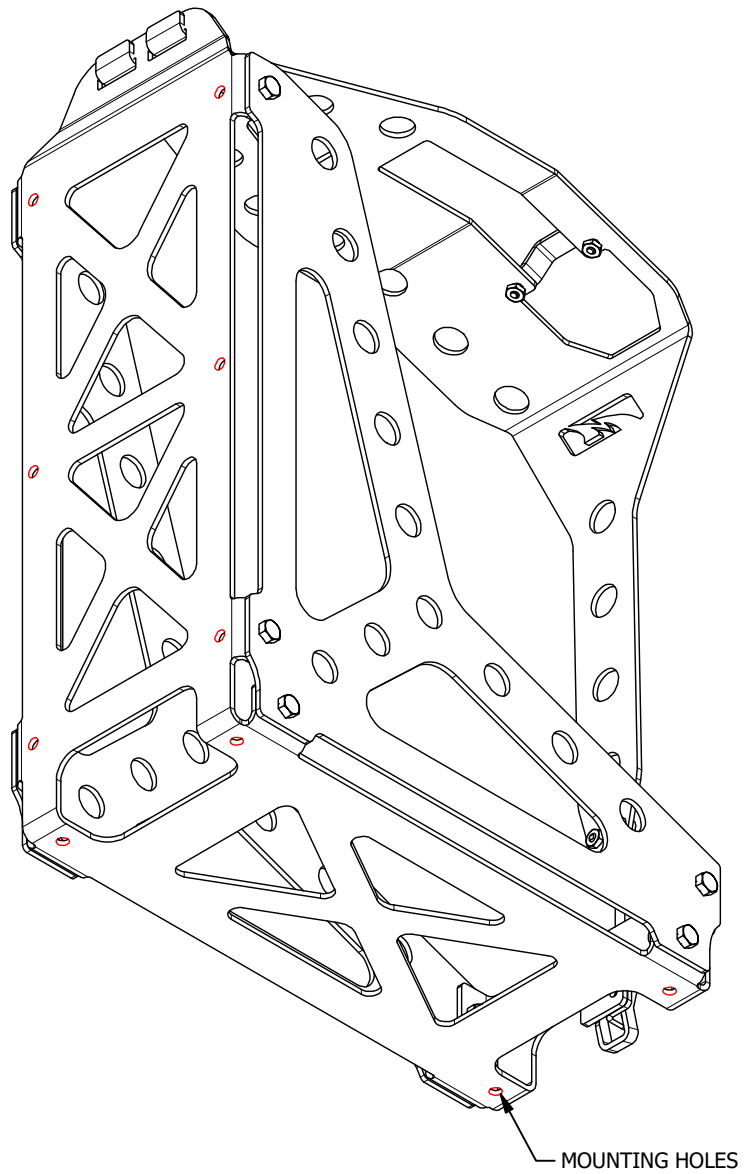
MOUNTING



BACK



BOTTOM



MB5525 - Assembly Instructions Jerry Can 5 Gal Mount**INTERNAL DIMENSIONS**