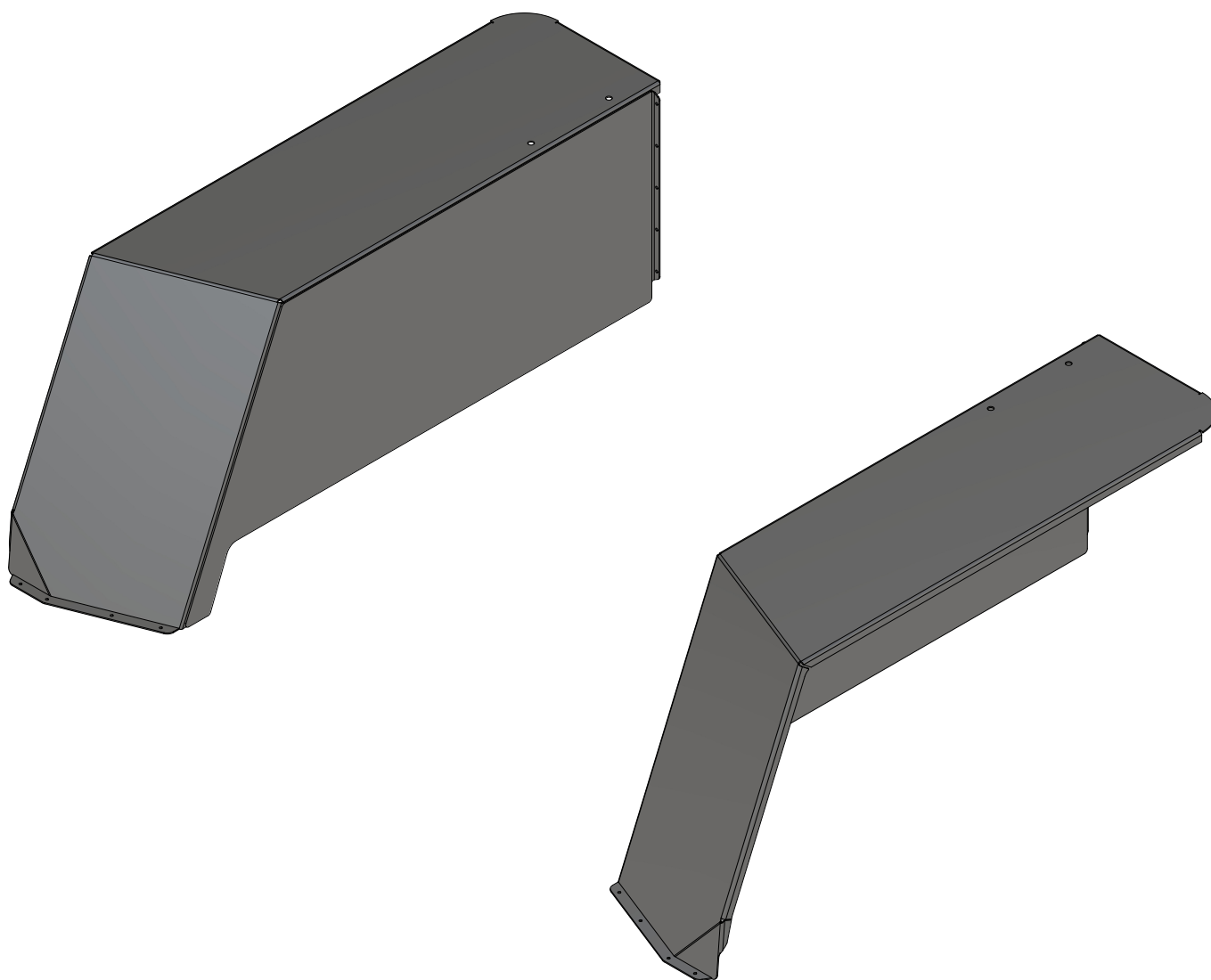


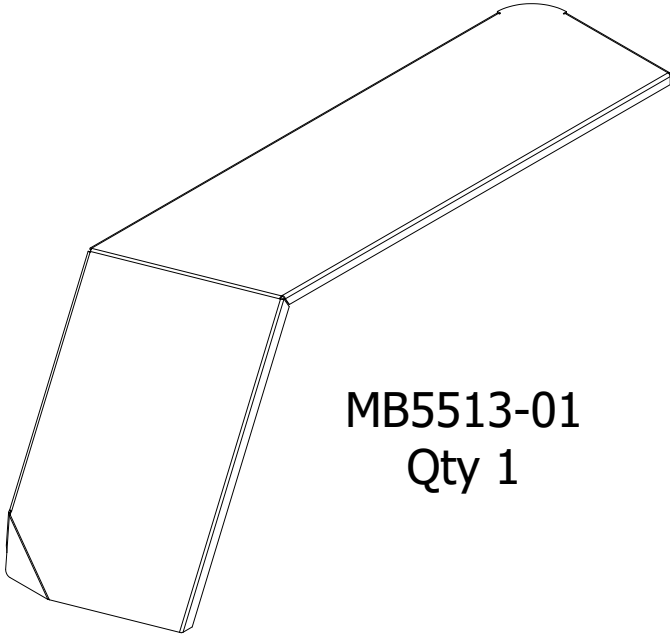
MB1513 - HIGH CLEAR REAR INNER FENDER FOR JEEP TJ



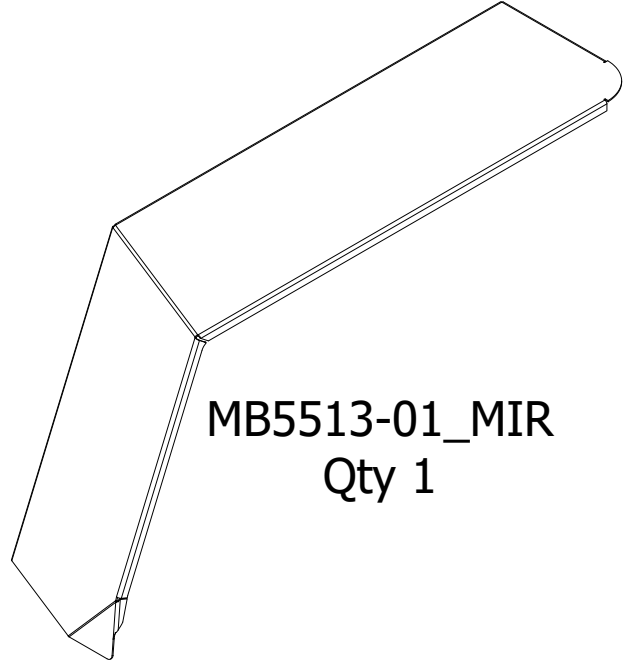
ASSEMBLY INSTRUCTIONS

MB5513 - Shipping Jeep TJ High Clearance Inner Fenders

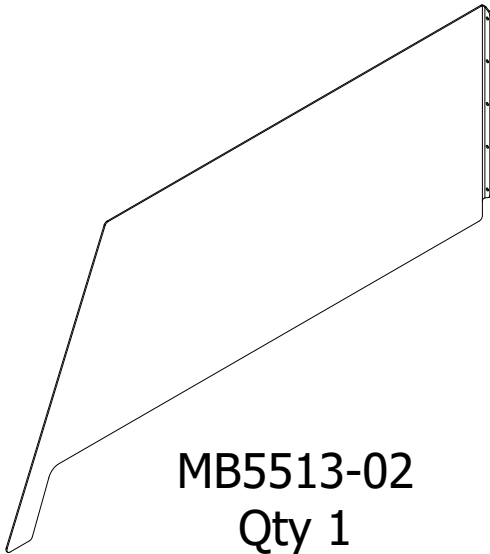
CONTENTS



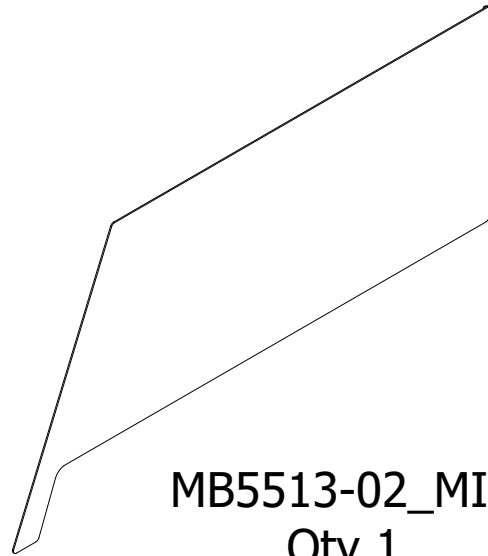
MB5513-01
Qty 1



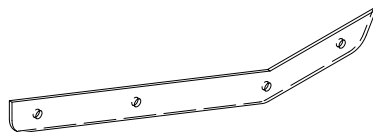
MB5513-01_MIR
Qty 1



MB5513-02
Qty 1



MB5513-02_MIR
Qty 1

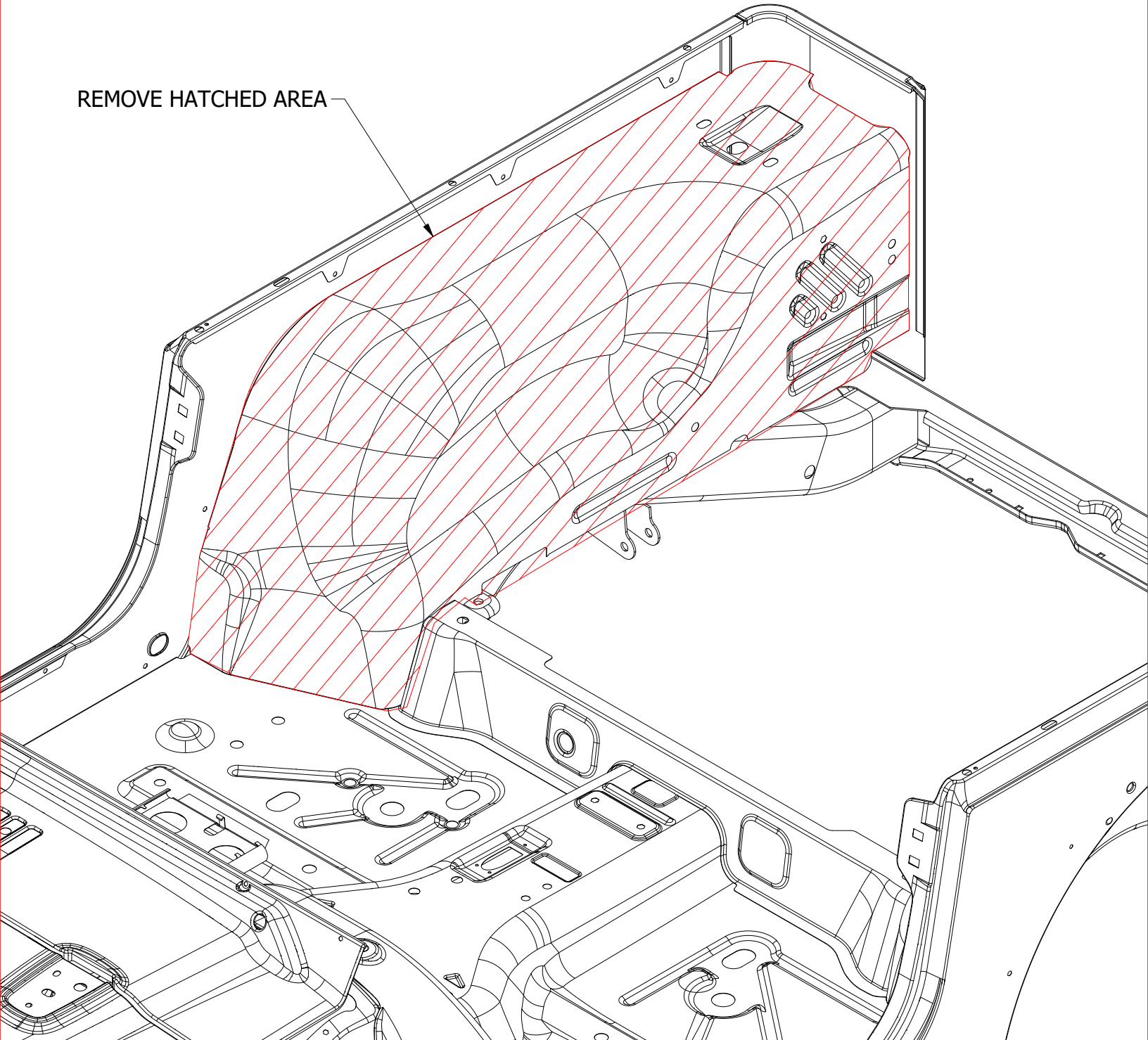


MB5513-03
Qty 2

MB5513 - Assembly Instructions High Clear Rear Inner Fender for Jeep TJ

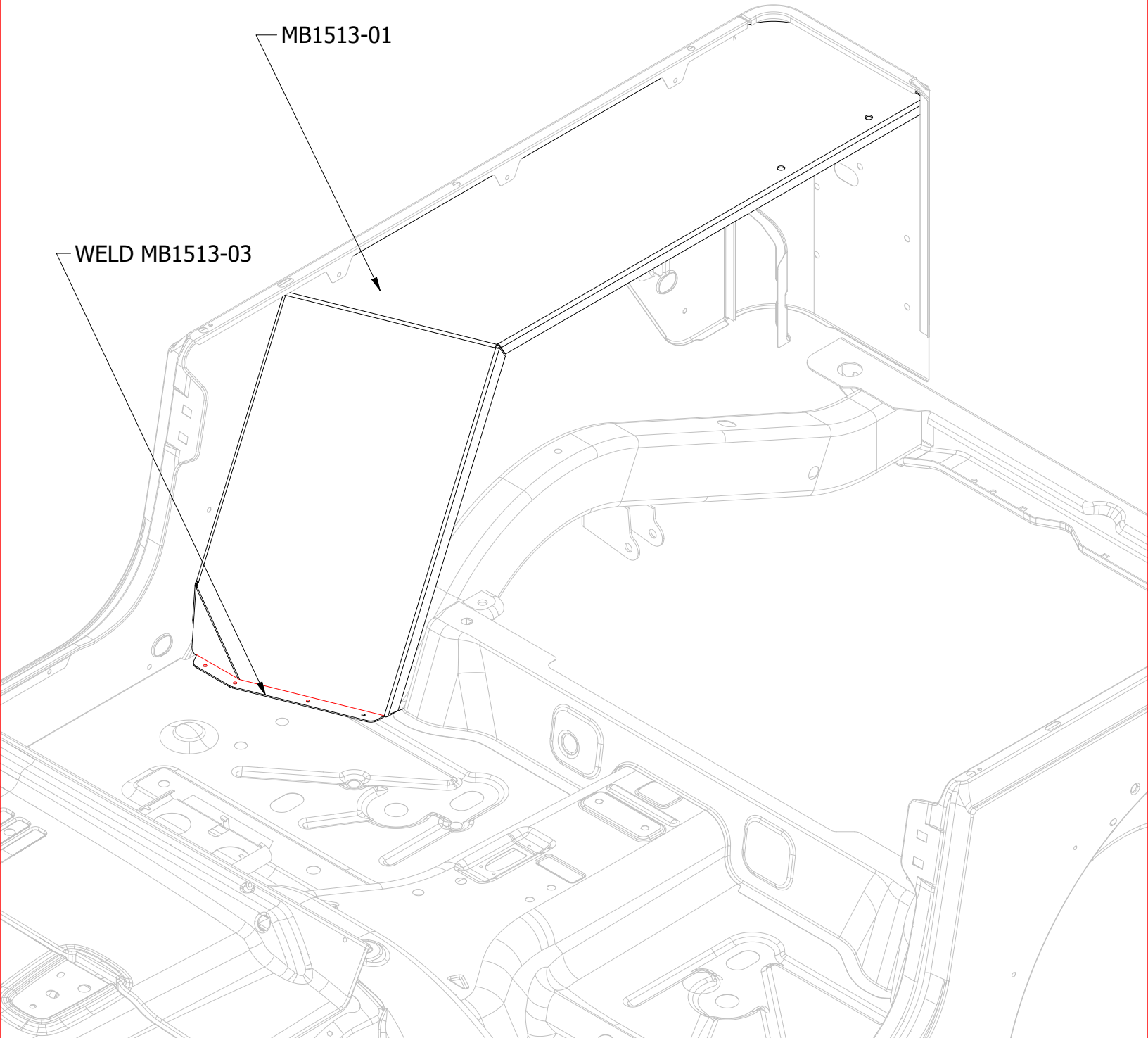
ASSEMBLY STEP 1

REMOVE HATCHED AREA



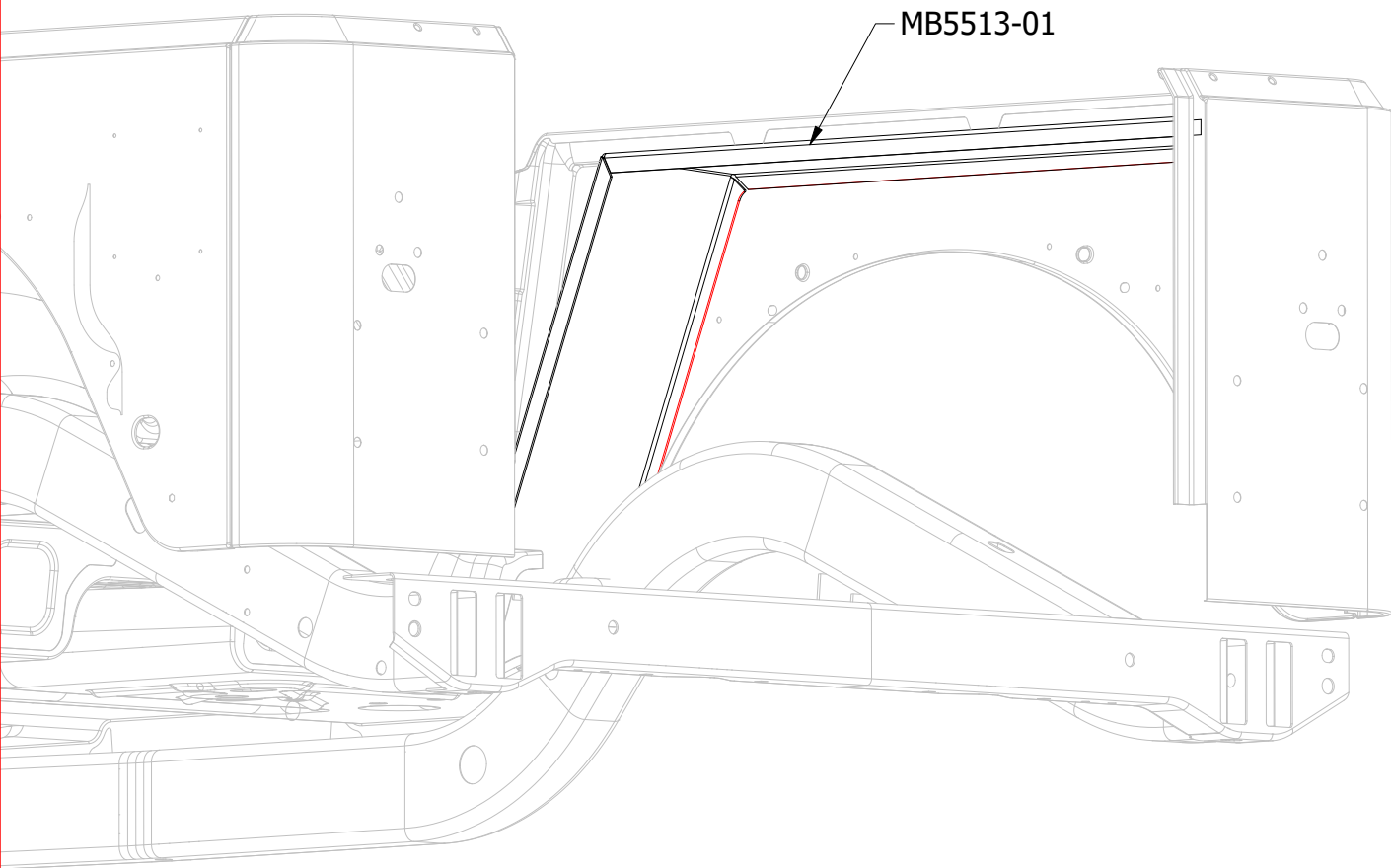
MB5513 - Assembly Instructions High Clear Rear Inner Fender for Jeep TJ

ASSEMBLY STEP 2

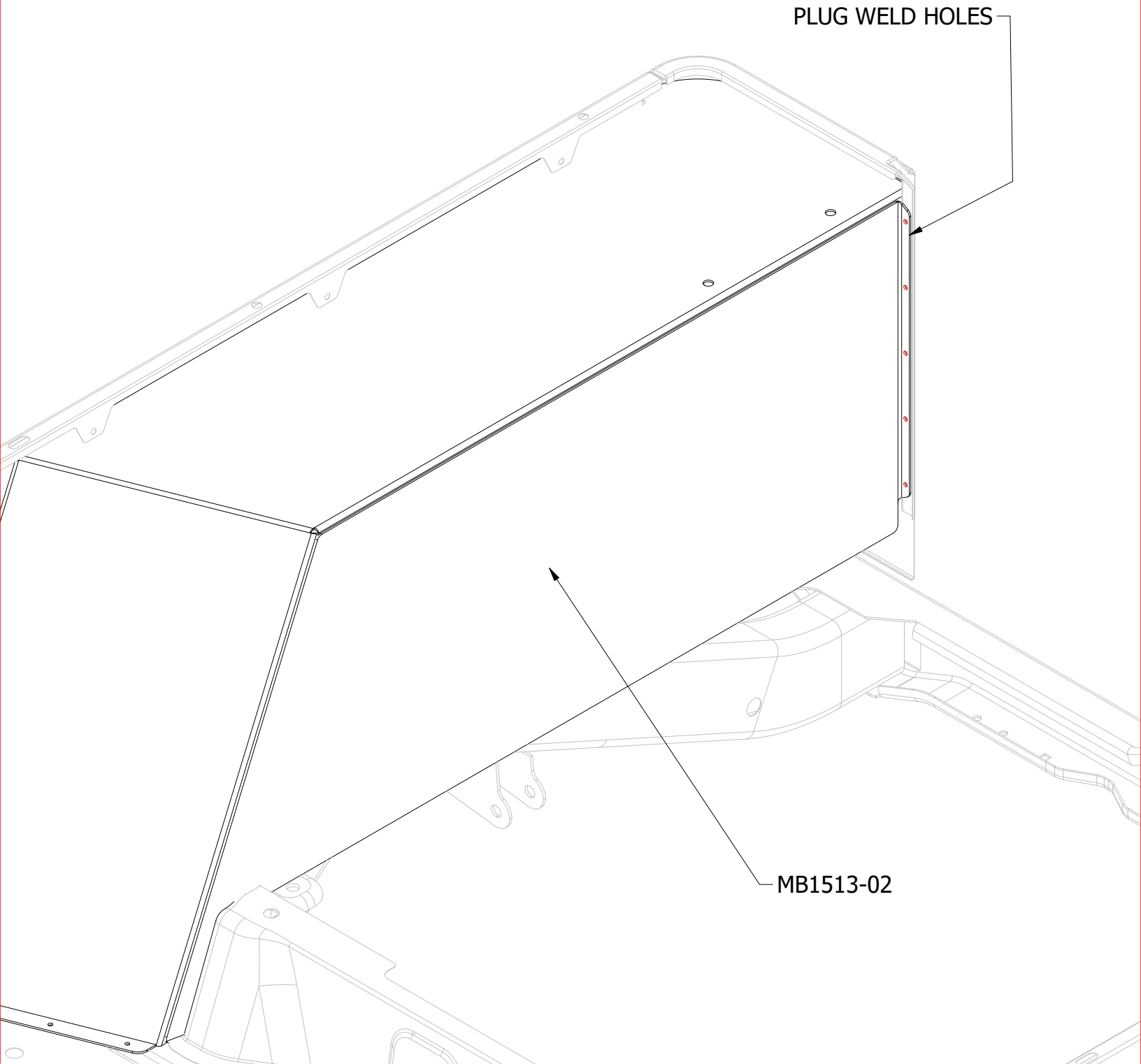


MB5513 - Assembly Instructions High Clear Rear Inner Fender for Jeep TJ**ASSEMBLY STEP 3**

**WELD ALL INTERIOR
FLANGES TO THE
INTERIOR OF THE BODY**

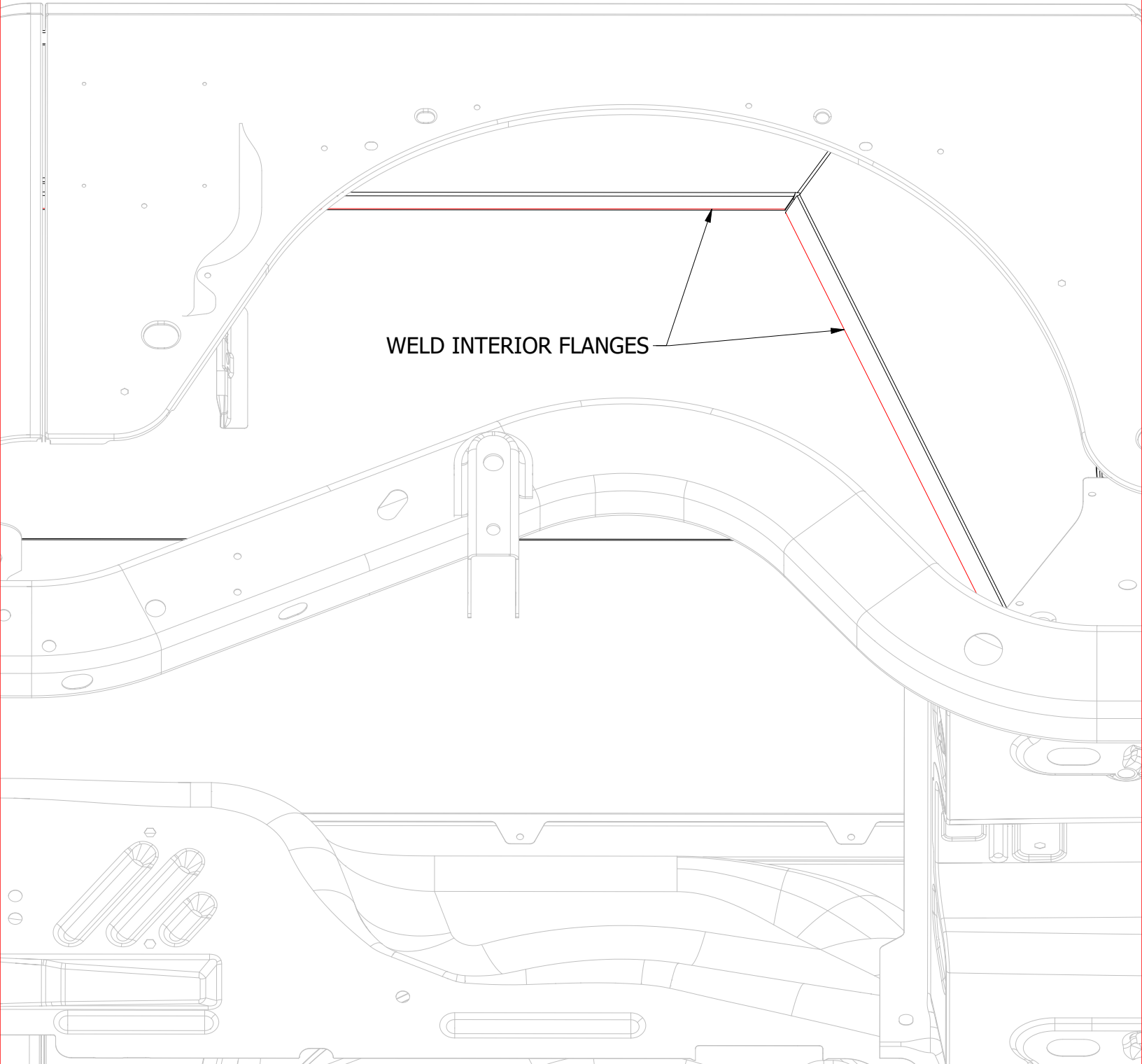


ASSEMBLY STEP 4



MB5513 - Assembly Instructions High Clear Rear Inner Fender for Jeep TJ

ASSEMBLY STEP 5



WELD INTERIOR FLANGES