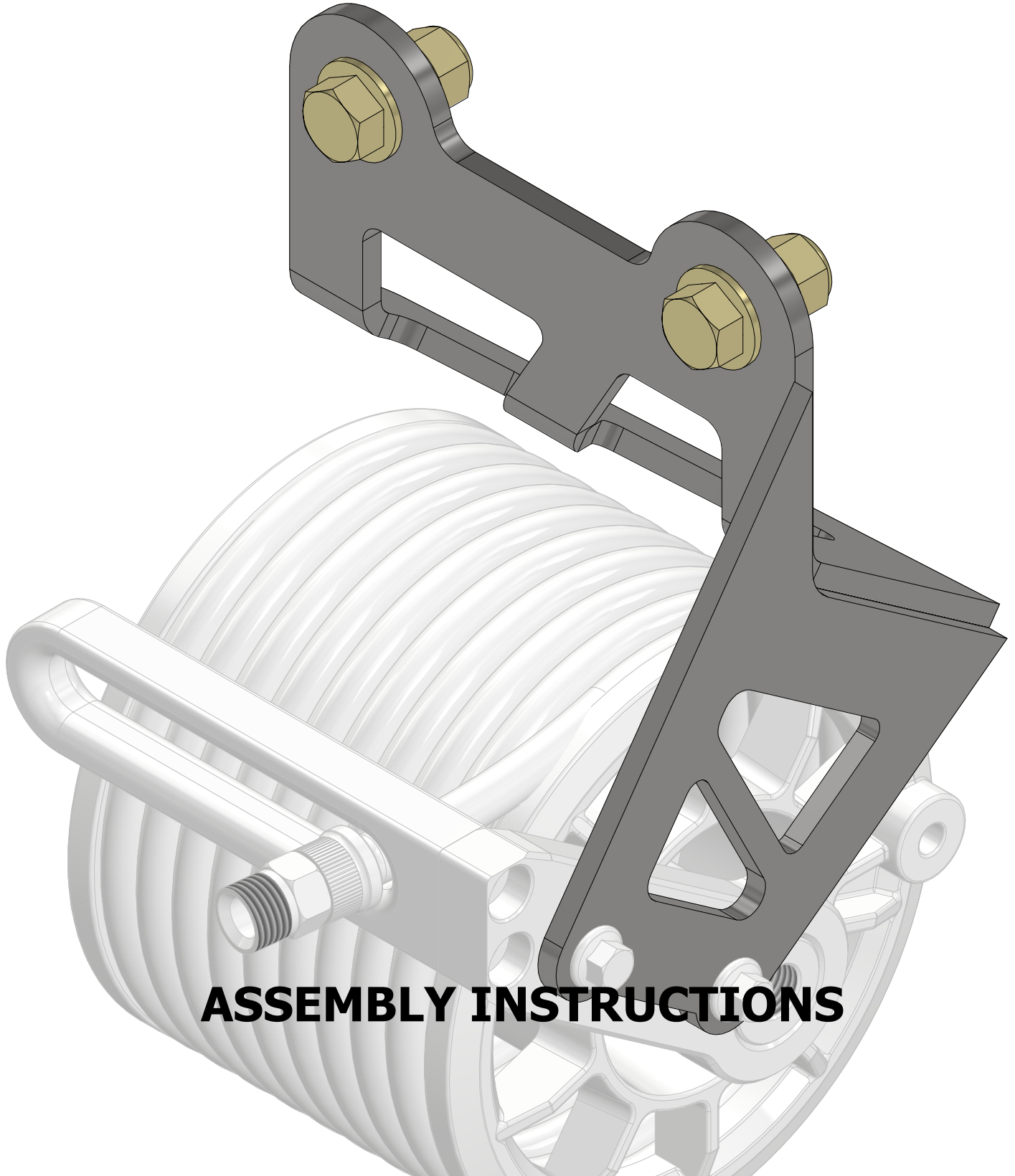


MB5077 - Assembly Instructions Apex CRS Mount

MB5077 - APEX CRS MOUNT

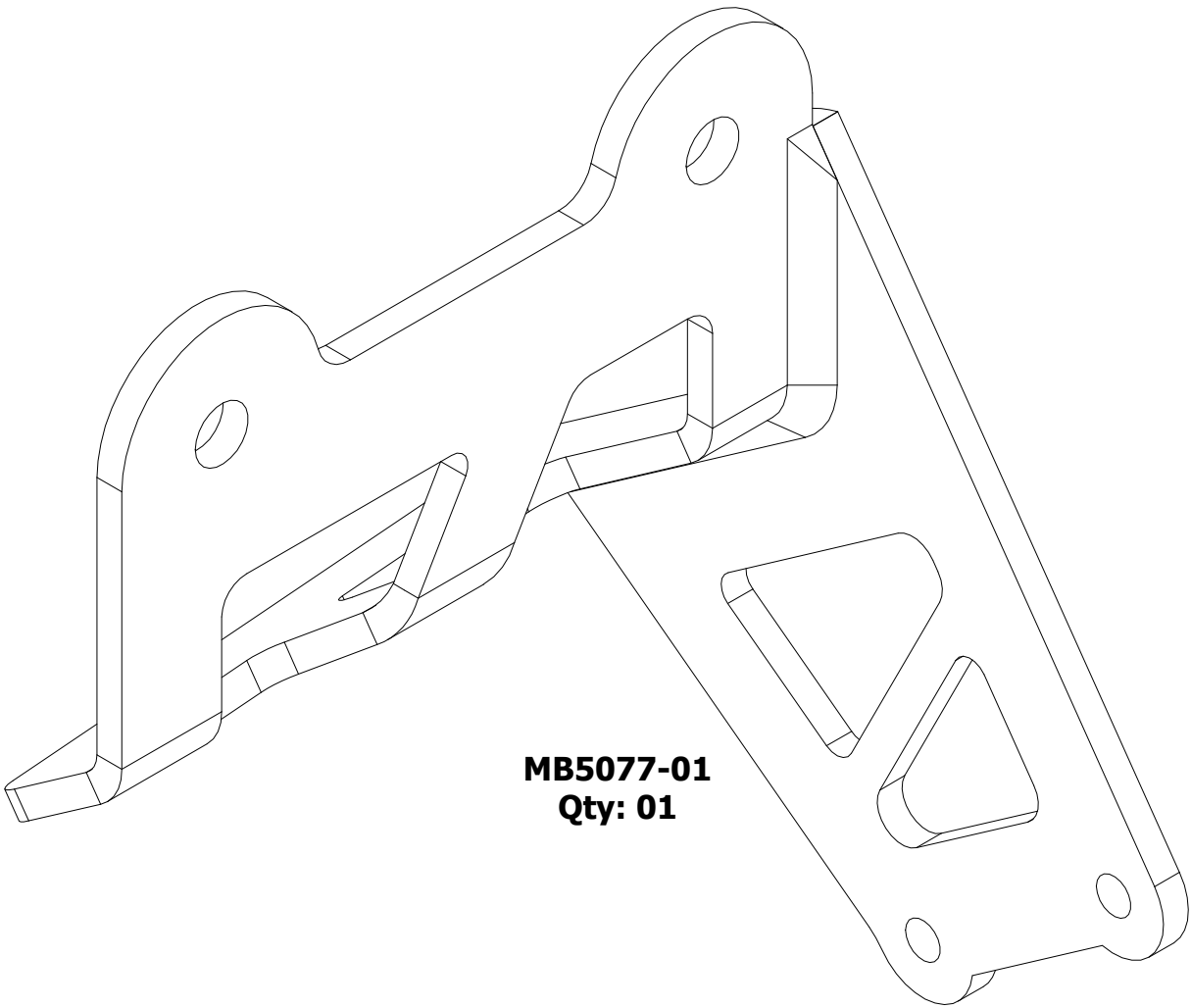
COMPATIBLE WITH MB1212



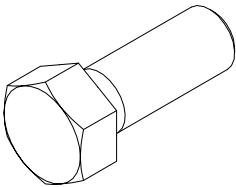
ASSEMBLY INSTRUCTIONS

MB5077 - Shipping Apex CRS Mount

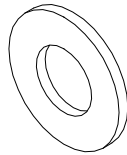
CONTENTS



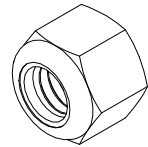
MB5077-01
Qty: 01



3/8"-16 x 1" Hex Bolt
Qty: 2

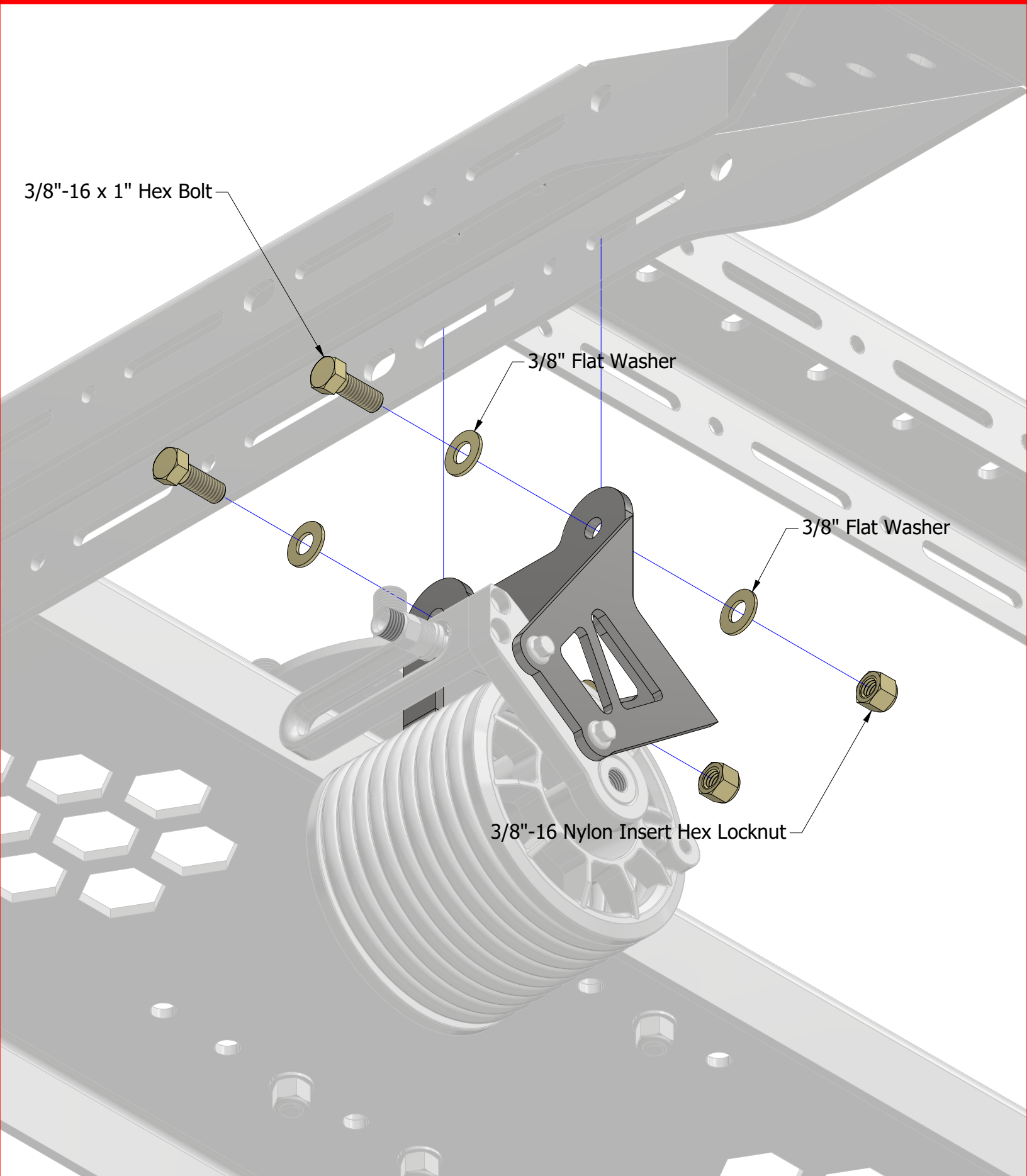


3/8" Flat Washer
Qty: 4



3/8"-16 Nylon Hex Nut
Qty: 2

MB5077 - Assembly Instructions Apex CRS Mount



3/8"-16 x 1" Hex Bolt

3/8" Flat Washer

3/8" Flat Washer

3/8"-16 Nylon Insert Hex Locknut