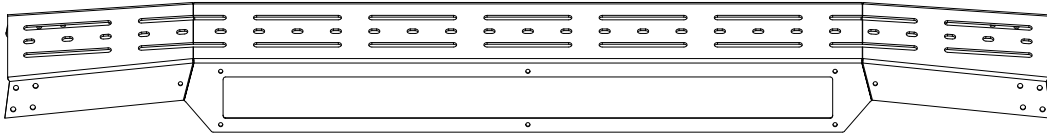
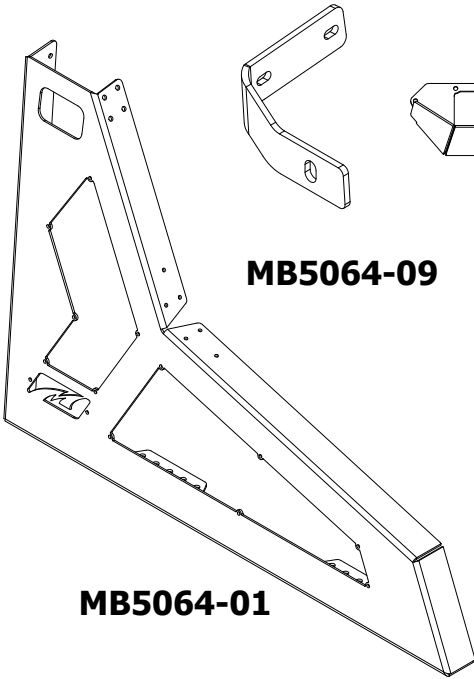


MB5064 - Assembly Instructions JT Gladiator Chase Rack

CONTENTS

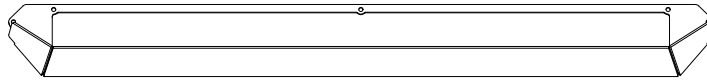


MB5064-03

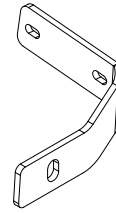


MB5064-09

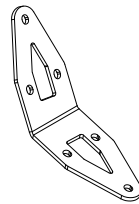
MB5064-01



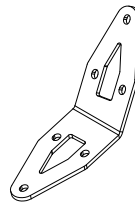
MB5064-04



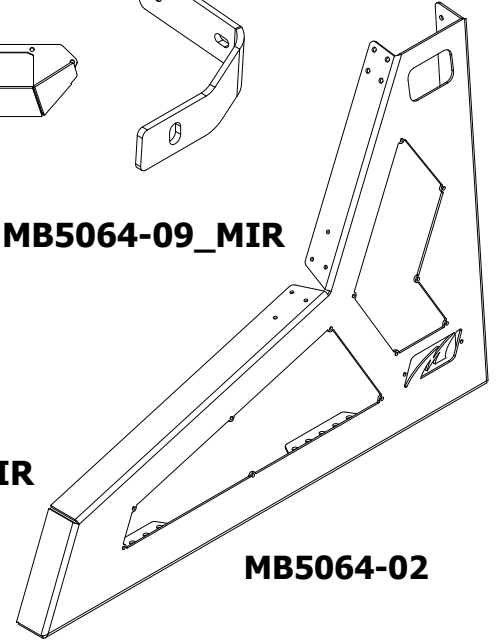
MB5064-09_MIR



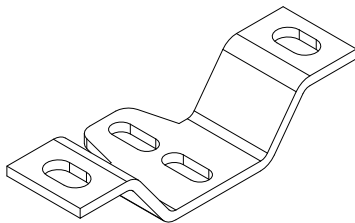
MB5064-08



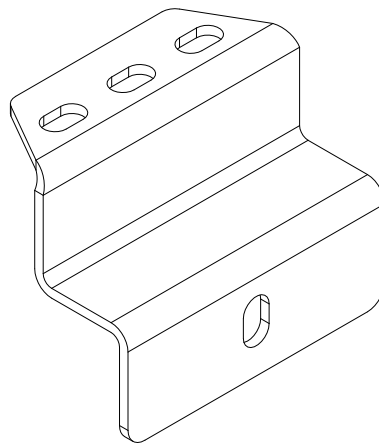
MB5064-08_MIR



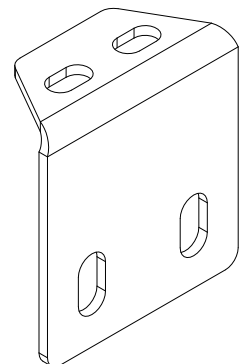
MB5064-02



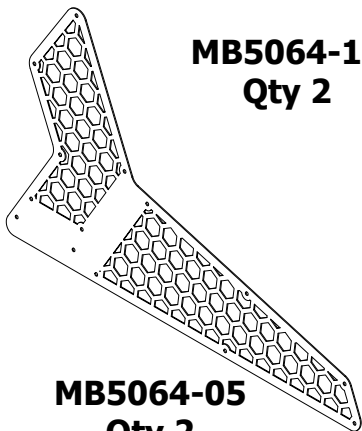
MB5064-10
Qty 2



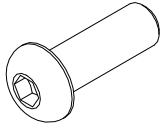
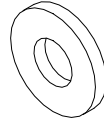
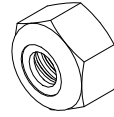
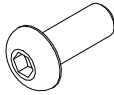
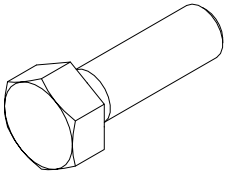
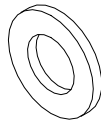
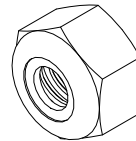
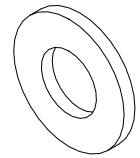
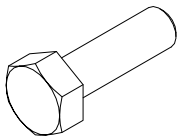
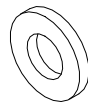
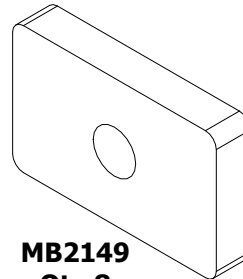
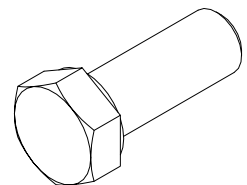
MB5064-06
Qty 4



MB5064-07
Qty 4



MB5064-05
Qty 2

MB5064 - Assembly Instructions JT Gladiator Chase Rack**CONTENTS****KIT 1****1/4"-20 x .75" SS SOCKET HEAD SCREW**
Qty 28**1/4" FLAT WASHER**
Qty 28**1/4"-20 NYLON LOCKNUT**
Qty 28**#10-24 x .5" SS SOCKET HEAD SCREW**
Qty 36**#10-24 FLAT WASHER**
Qty 36**#10-24 NYLON LOCKNUT**
Qty 36**KIT 2****5/16"-18 x 1" HEX BOLT**
Qty 12**5/16" FLAT WASHER**
Qty 24**5/16"-18 NYLON LOCKNUT**
Qty 12**3/8" FLAT WASHER**
Qty 8**M6x1.0 x 20MM HEX BOLT**
Qty 4**M6x12 FLAT WASHER**
Qty 4**MB2149**
Qty 8**3/8"-16 UNC x 1" HEX BOLT**
Qty 8