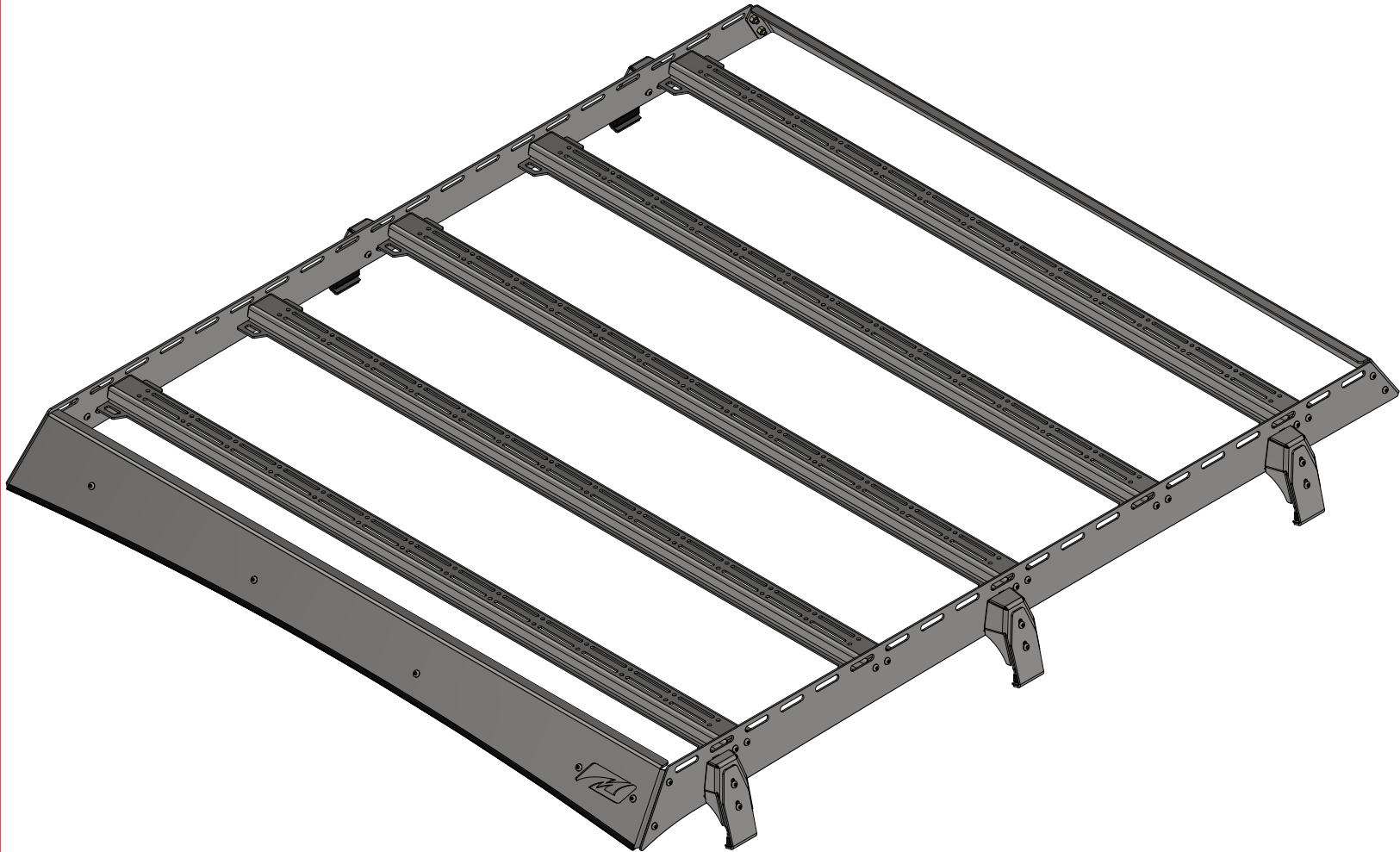
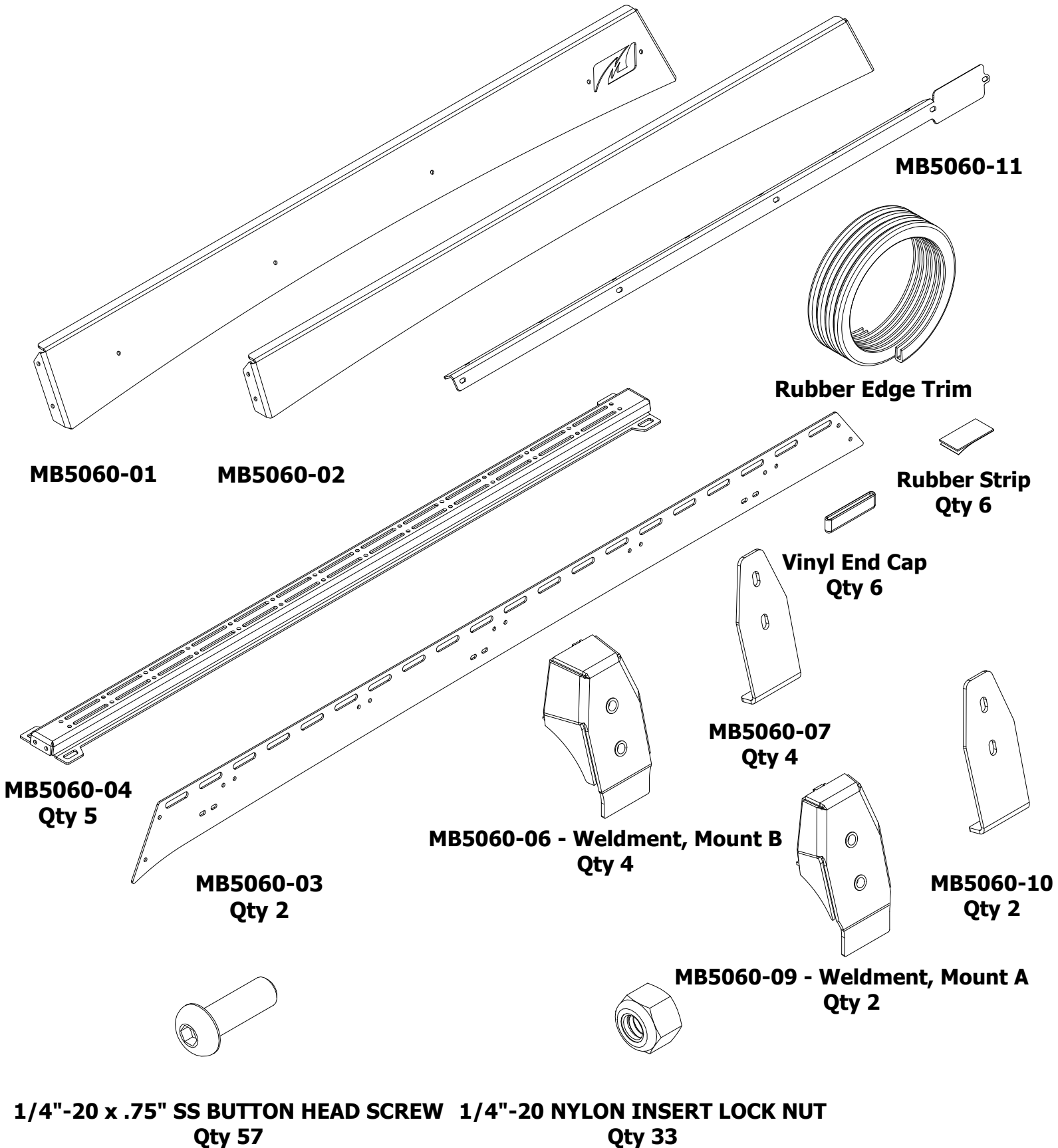


MB5060 - JT GLADIATOR FULL CAB ROOF RACK



ASSEMBLY INSTRUCTIONS

MB5060 - Assembly Instructions JT Gladiator Full Roof Rack**CONTENTS**

MB5060 - Assembly Instructions JT Gladiator Full Roof Rack

ASSEMBLY STEP 01

1/4"-20 x .75" Button Head Socket Screw

MB5060-01

1/4"-20 Nylon-Insert Locknut

MB5060-11

1/4"-20 x .75" SS BUTTON HEAD SCREW

1/4"-20 NYLON INSERT LOCKNUT

FRONT

REAR

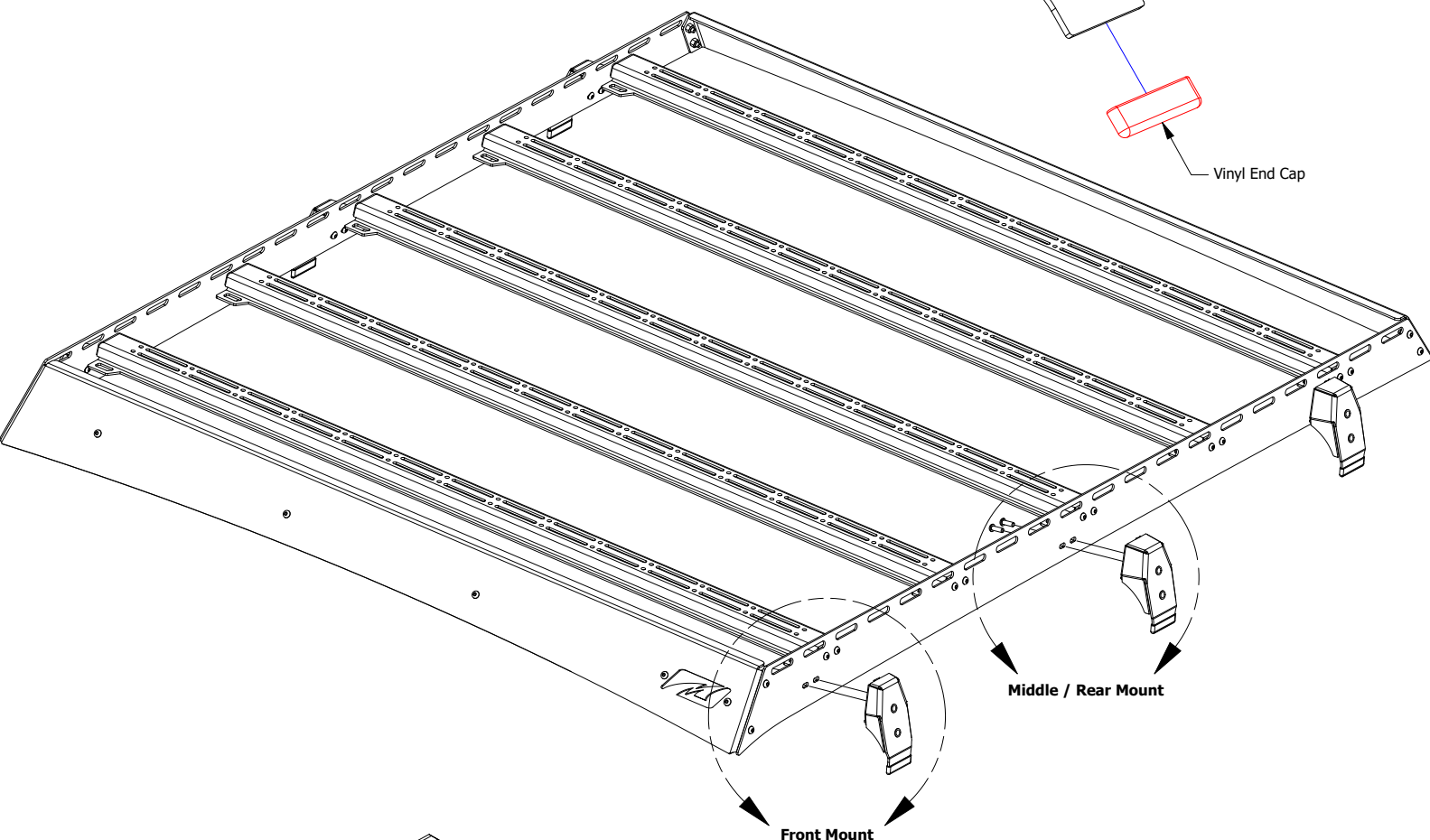
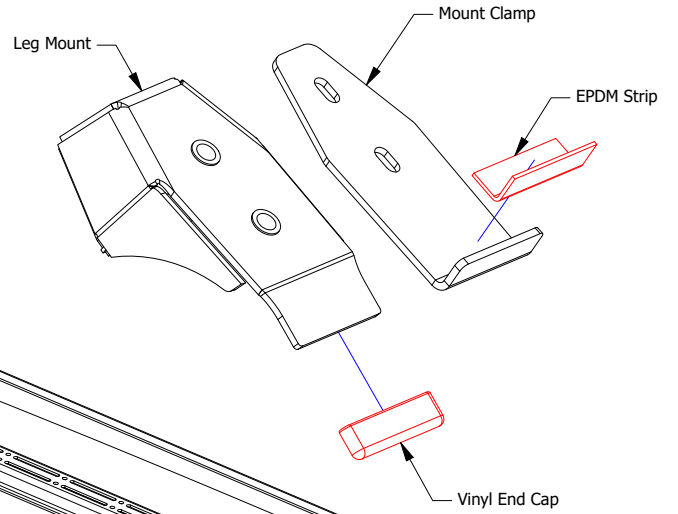
MB5060-04
Qty 5

MB5060-03
Qty 2

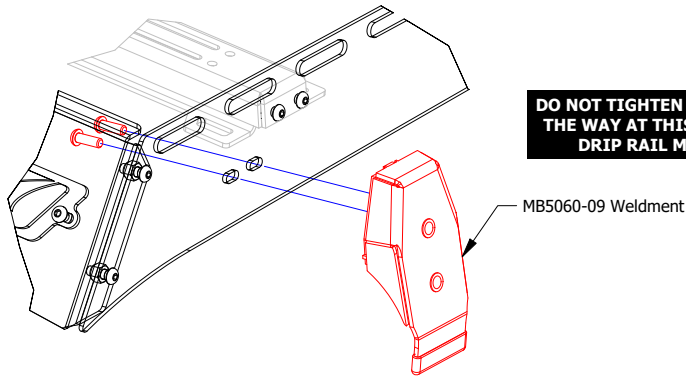
MB5060-02

MB5060 - Assembly Instructions JT Gladiator Full Roof Rack

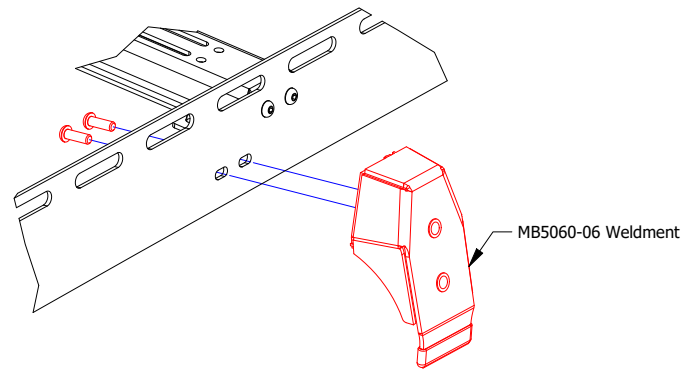
ASSEMBLY STEP 02



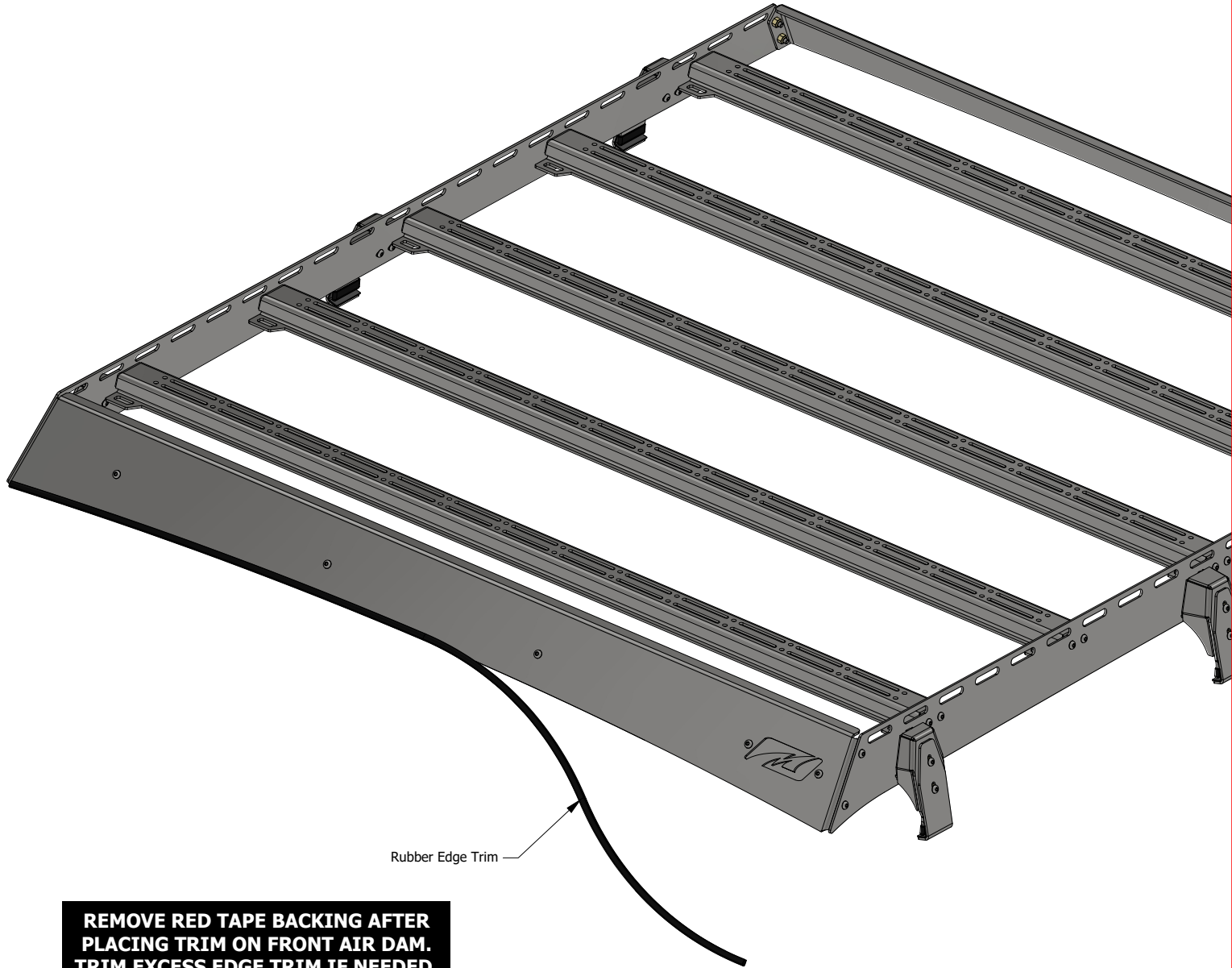
DO NOT TIGHTEN BOLTS ALL THE WAY AT THIS TIME TO DRIP RAIL MOUNT



Front Mount

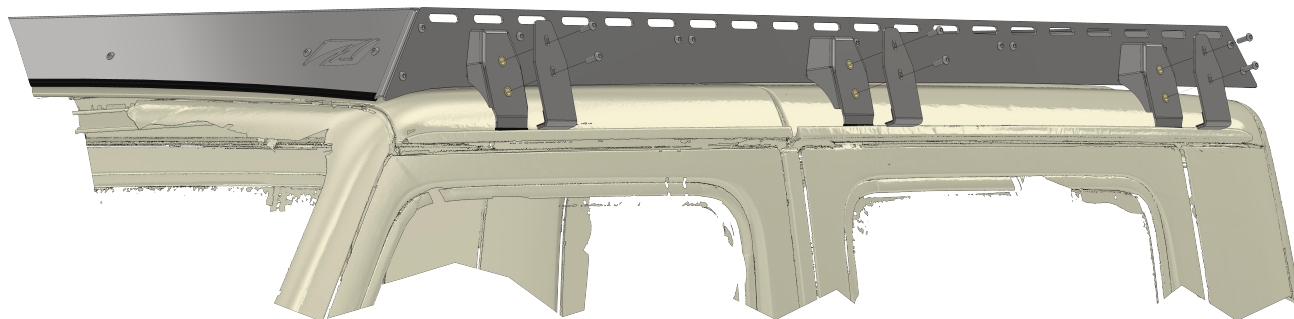


Middle / Rear Mount

ASSEMBLY STEP 03

ASSEMBLY STEP 04

LOWER RACK ONTO DRIP RAIL, A SECOND PERSON CAN HELP MAKE THIS EASIER



AFTER SECURING MOUNT CLAMP TO THE DRIP RAIL GO BACK AND TIGHTEN THE BOLTS FROM STEP 02