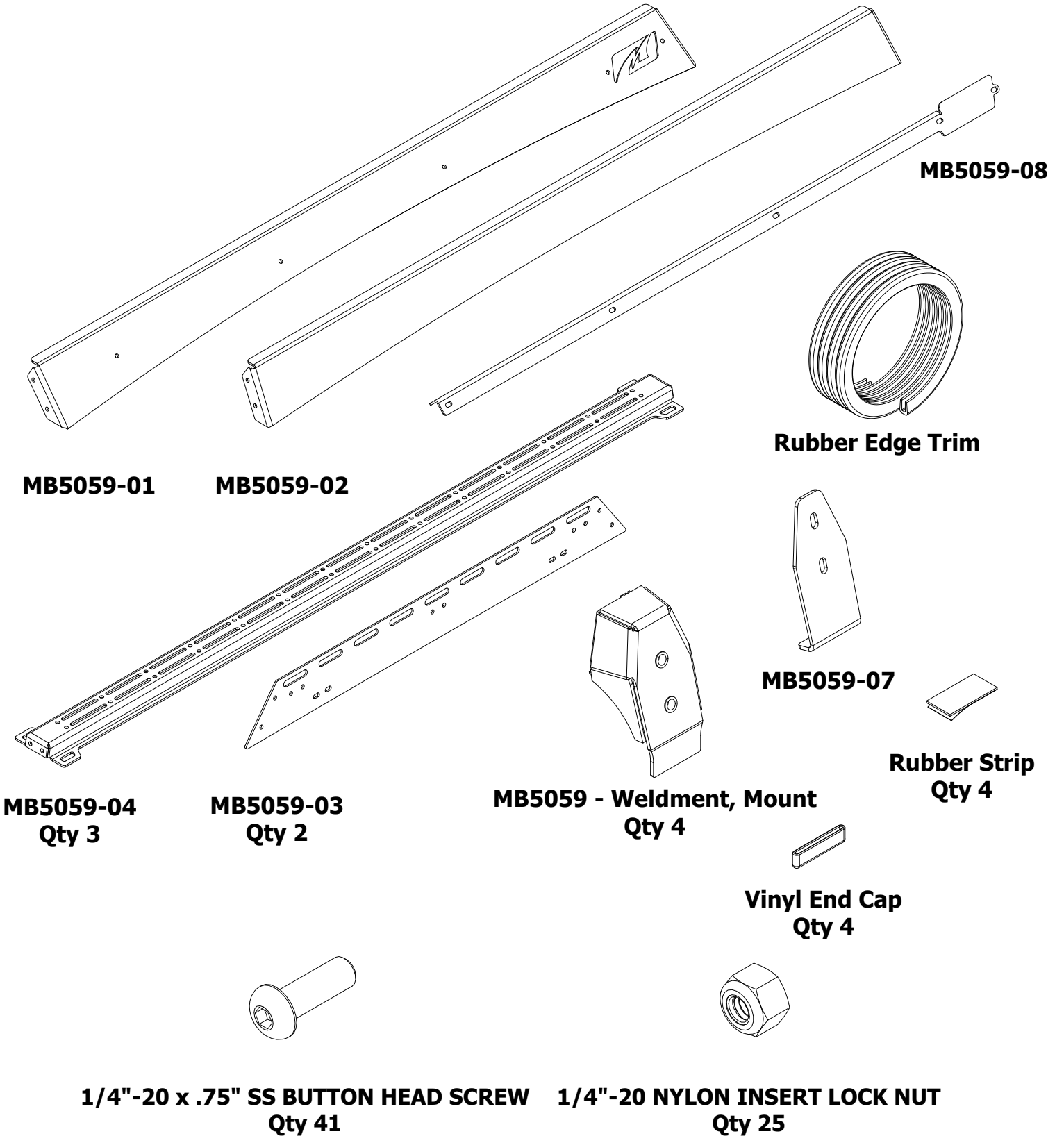


MB5059 - Assembly Instructions JT Gladiator Half Cab Roof Rack

MB5059 - JT GLADIATOR HALF CAB ROOF RACK

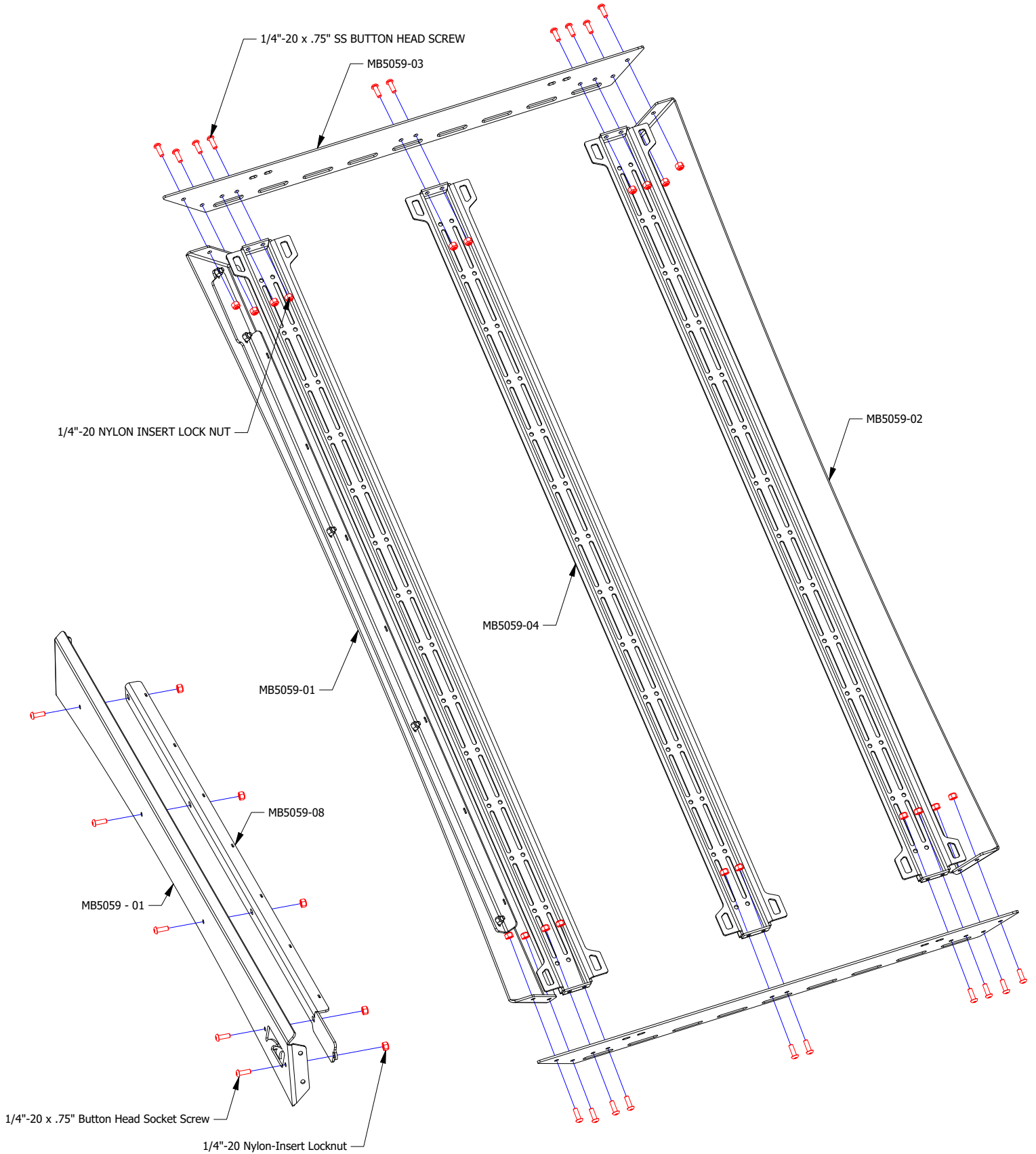


ASSEMBLY INSTRUCTIONS

MB5059 - Assembly Instructions JT Gladiator Half Cab Roof Rack**CONTENTS**

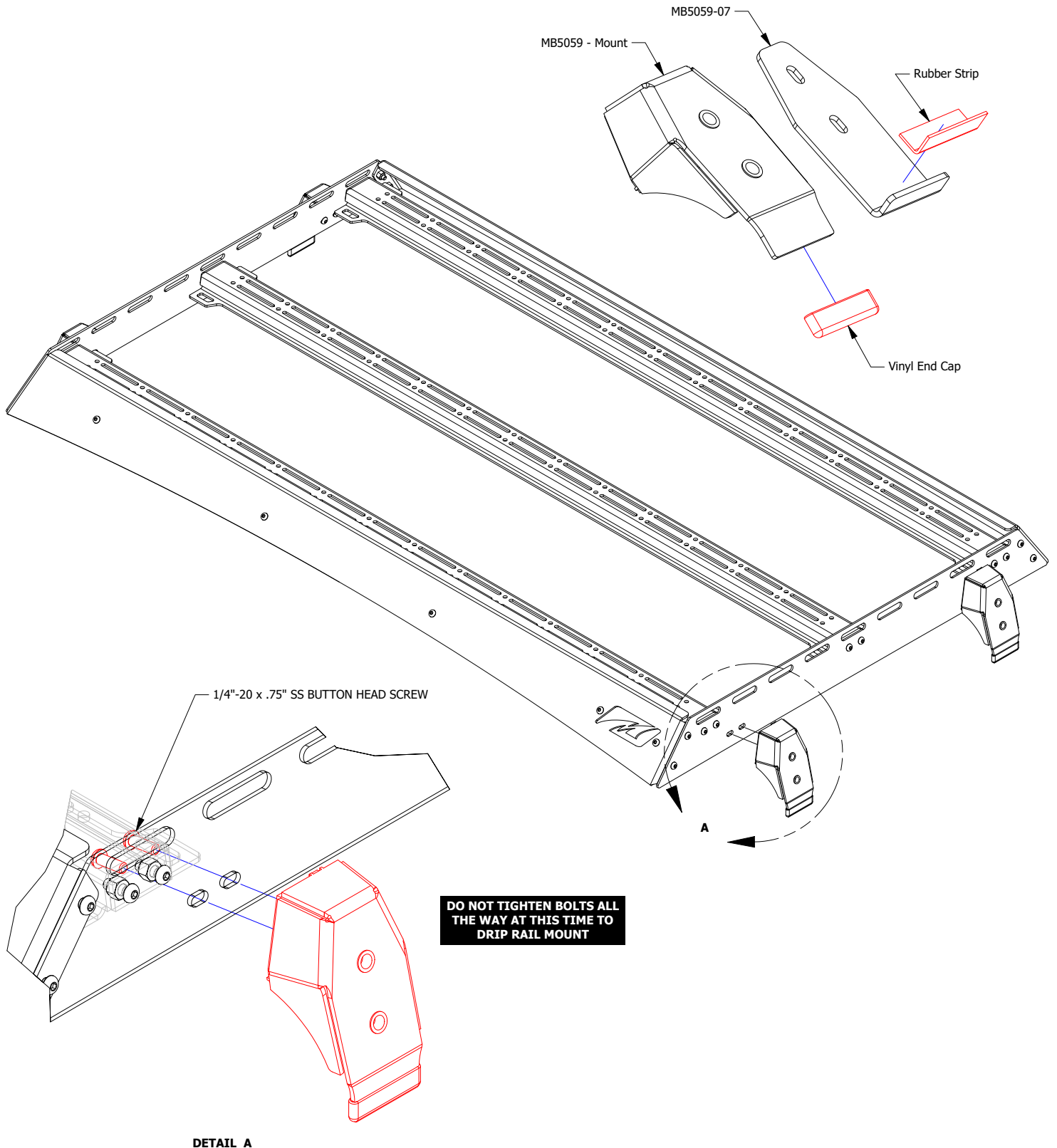
MB5059 - Assembly Instructions JT Gladiator Half Cab Roof Rack

ASSEMBLY STEP 01

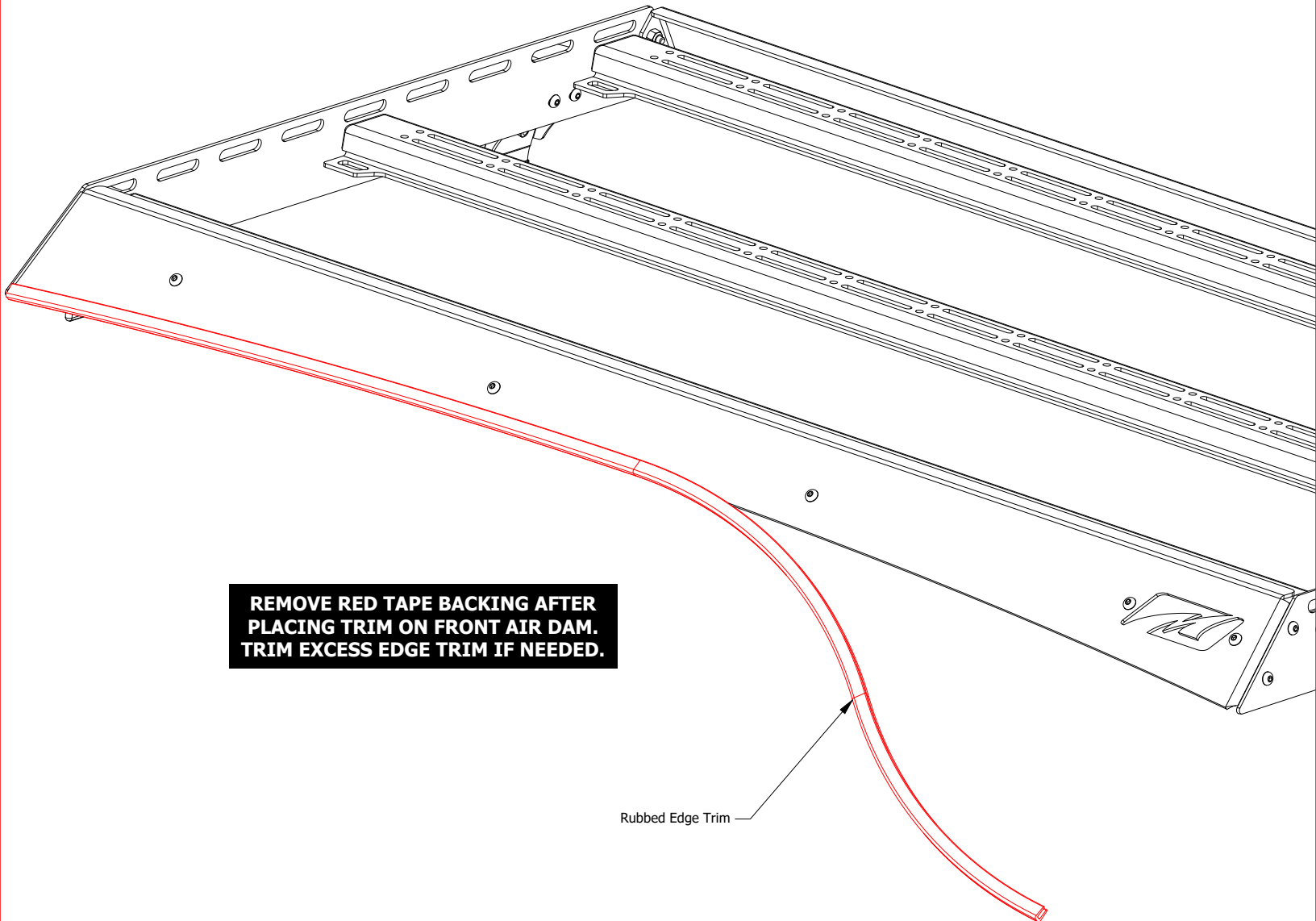


MB5059 - Assembly Instructions JT Gladiator Half Cab Roof Rack

ASSEMBLY STEP 02



ASSEMBLY STEP 03



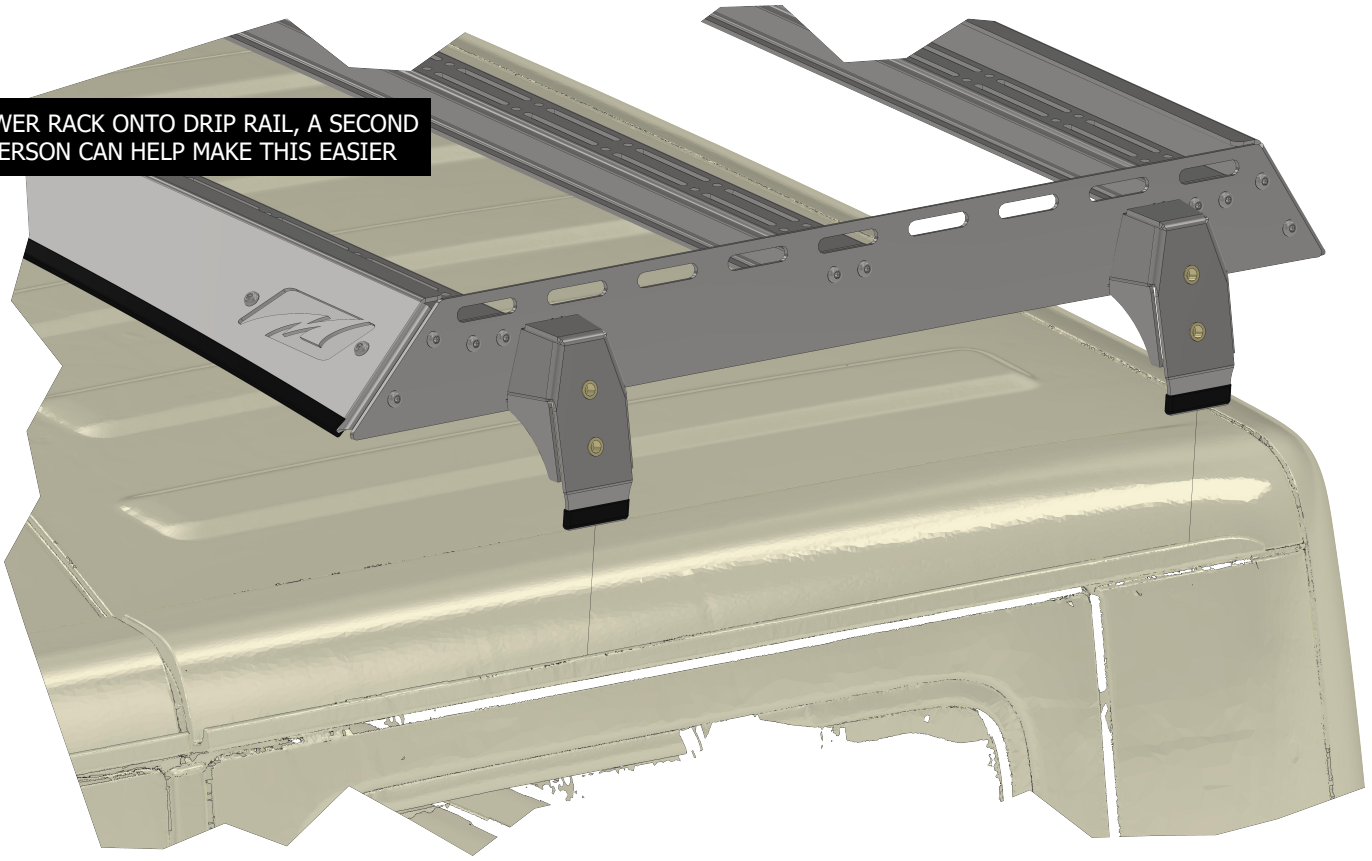
REMOVE RED TAPE BACKING AFTER PLACING TRIM ON FRONT AIR DAM. TRIM EXCESS EDGE TRIM IF NEEDED.

Rubbed Edge Trim

MB5059 - Assembly Instructions JT Gladiator Half Cab Roof Rack

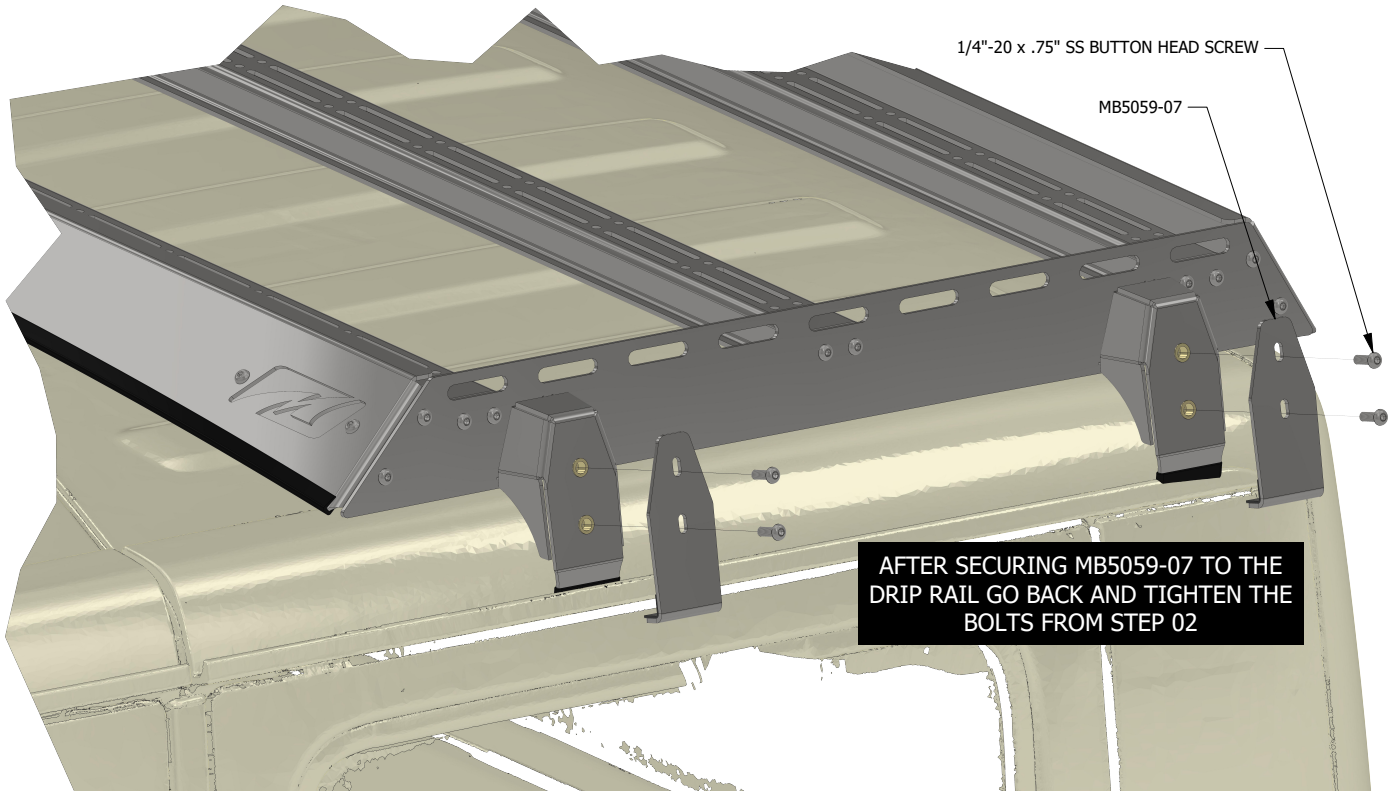
ASSEMBLY STEP 03

LOWER RACK ONTO DRIP RAIL, A SECOND PERSON CAN HELP MAKE THIS EASIER



1/4"-20 x .75" SS BUTTON HEAD SCREW

MB5059-07



AFTER SECURING MB5059-07 TO THE DRIP RAIL GO BACK AND TIGHTEN THE BOLTS FROM STEP 02