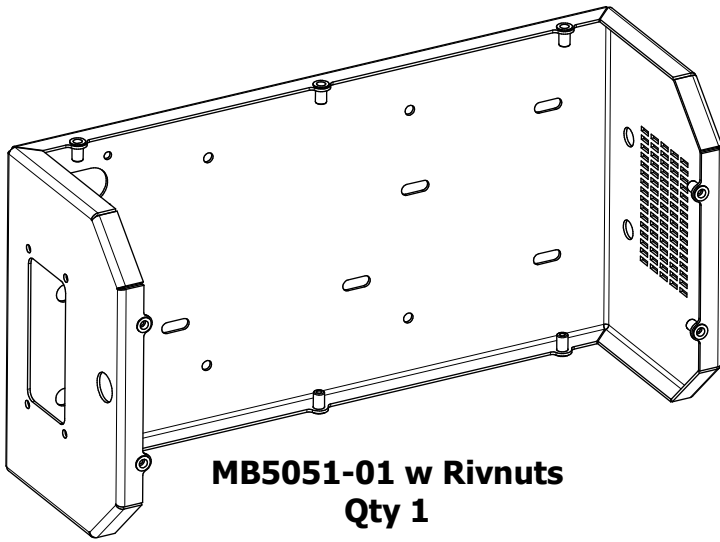
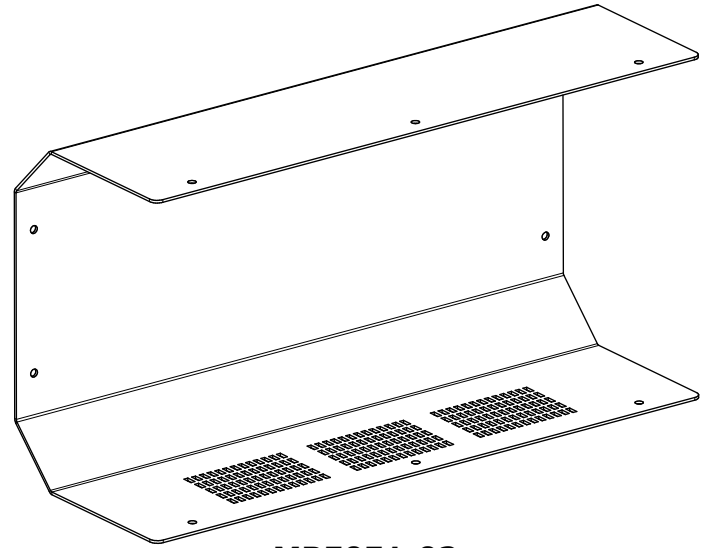


MB5051 - Assembly ARB Twin Air Compressor Enclosure

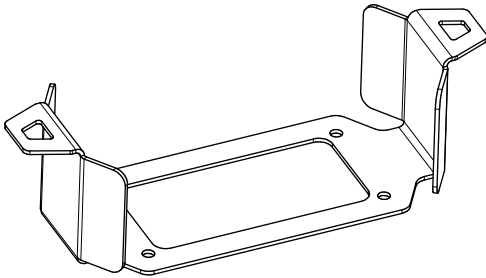
CONTENTS



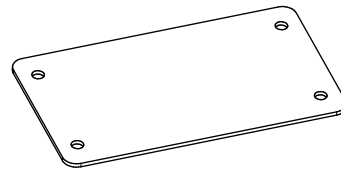
**MB5051-01 w Rivnuts
Qty 1**



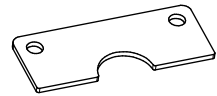
**MB5051-02
Qty 1**



**MB5051-03
Qty 1**



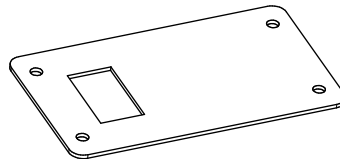
**MB5051-04
Qty 1**



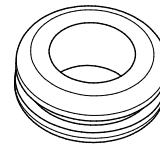
**MB5051-05
Qty 2**



**MB5051-06
Qty 2**



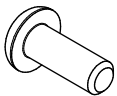
**MB5051-07
Qty 1**



**Grommet, Large
Qty 1**



**Grommet, Small
Qty 2**



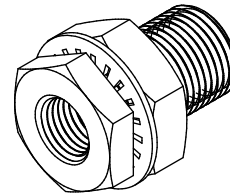
**Button Head Screw
#10-24 x 1/2"
Qty 18**



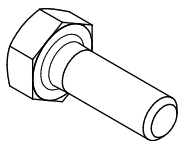
**Flat Washer
M6
Qty 8**



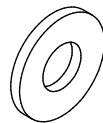
**Nylock Nut
#10-24
Qty 8**



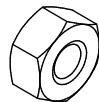
**Bulkhead Fitting
1/4" NPT
Qty 1**



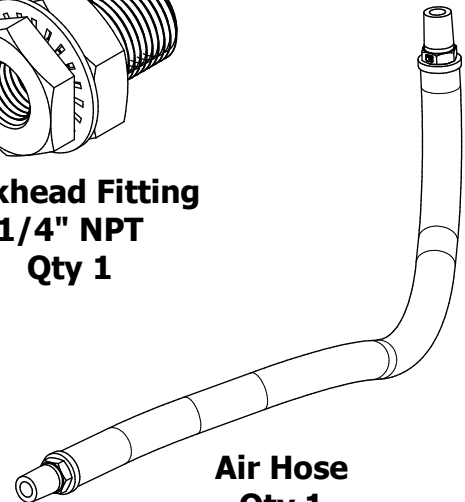
**Hex Bolt
1/4"-20 x 3/4"
Qty 8**



**Flat Washer
1/4"
Qty 16**



**Nylock Nut
1/4"-20
Qty 8**



**Air Hose
Qty 1**