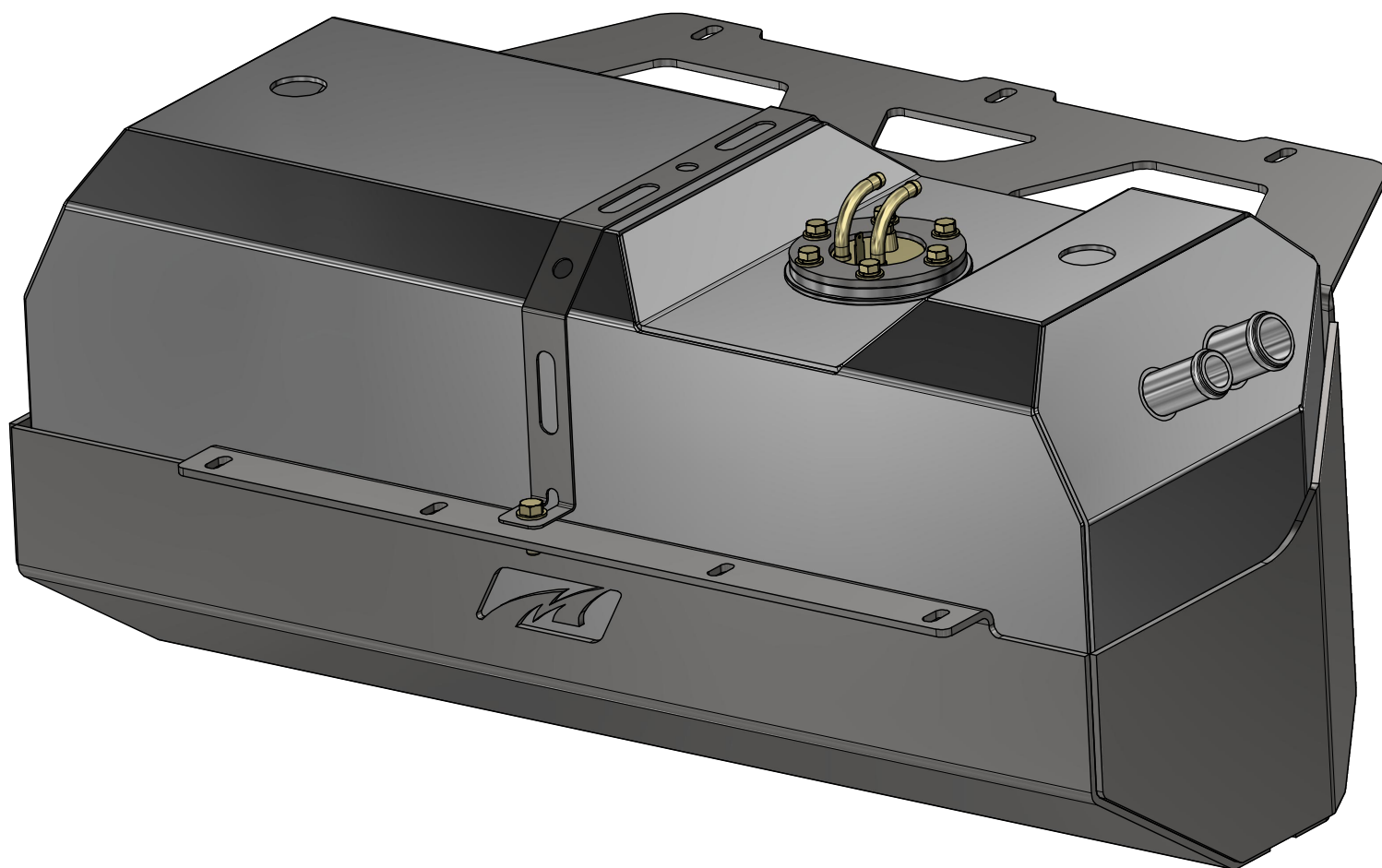
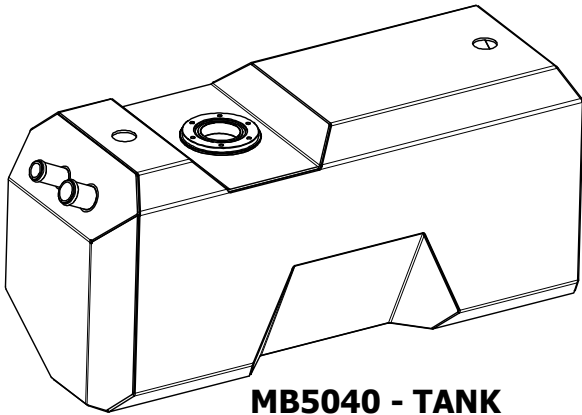


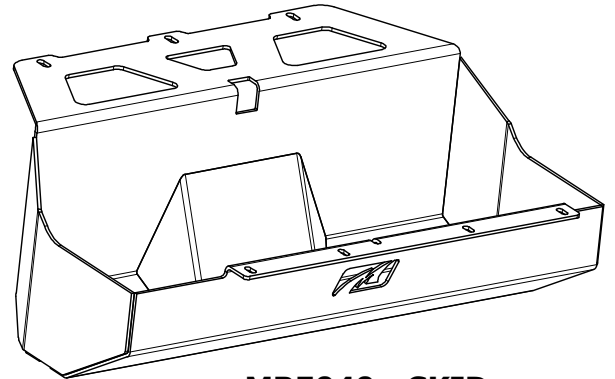
CJ-7 STRETCH FUEL TANK AND SKID PLATE



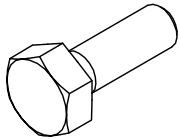
INSTALLATION INSTRUCTIONS

MB5040 - Assembly Instructions CJ-7 Stretch Fuel Tank and Skid**KIT COMPONENTS**

MB5040 - TANK
Qty: 1



MB5040 - SKID
Qty: 1



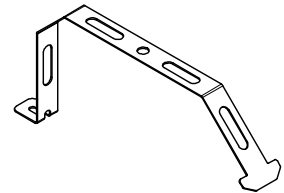
HEX BOLT
1/4"-20 x 3/4"
Qty: 6



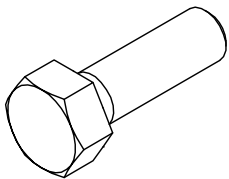
LOCK WASHER
1/4"
Qty: 6



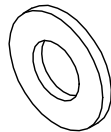
FLAT WASHER
1/4"
Qty: 6



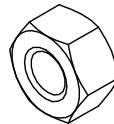
MB5040-09
TANK STRAP
Qty: 1



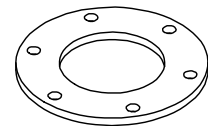
HEX BOLT
5/16"-18 x 1"
Qty: 1



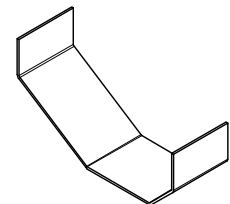
FLAT WASHER
5/16"
Qty: 2



NYLOCK NUT
5/16"-18
Qty: 1



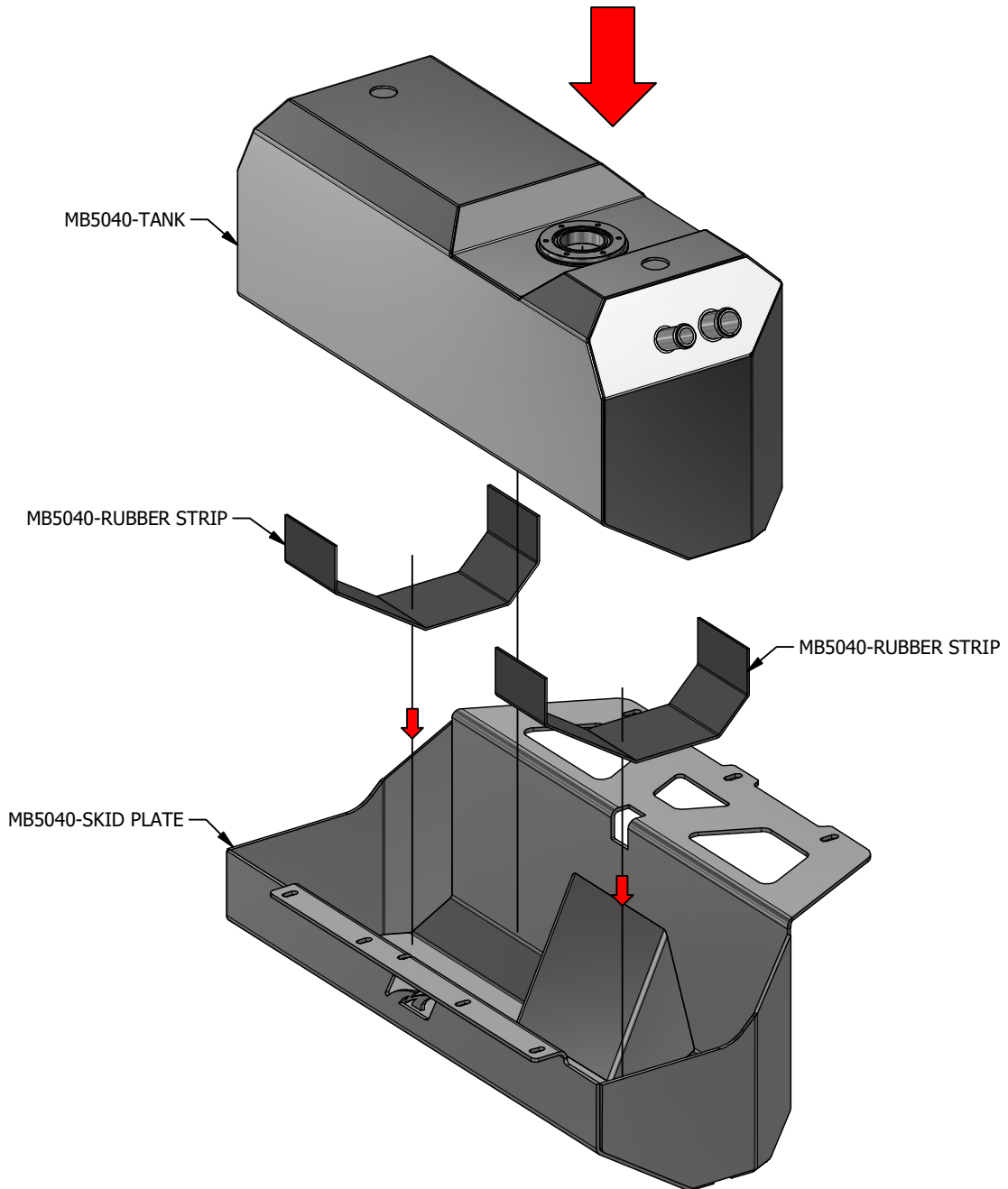
MB5527-02
FUEL PUMP CLAMPING RING
Qty: 1



MB5040 - RUBBER STRIP
18" x 4"
Qty: 2

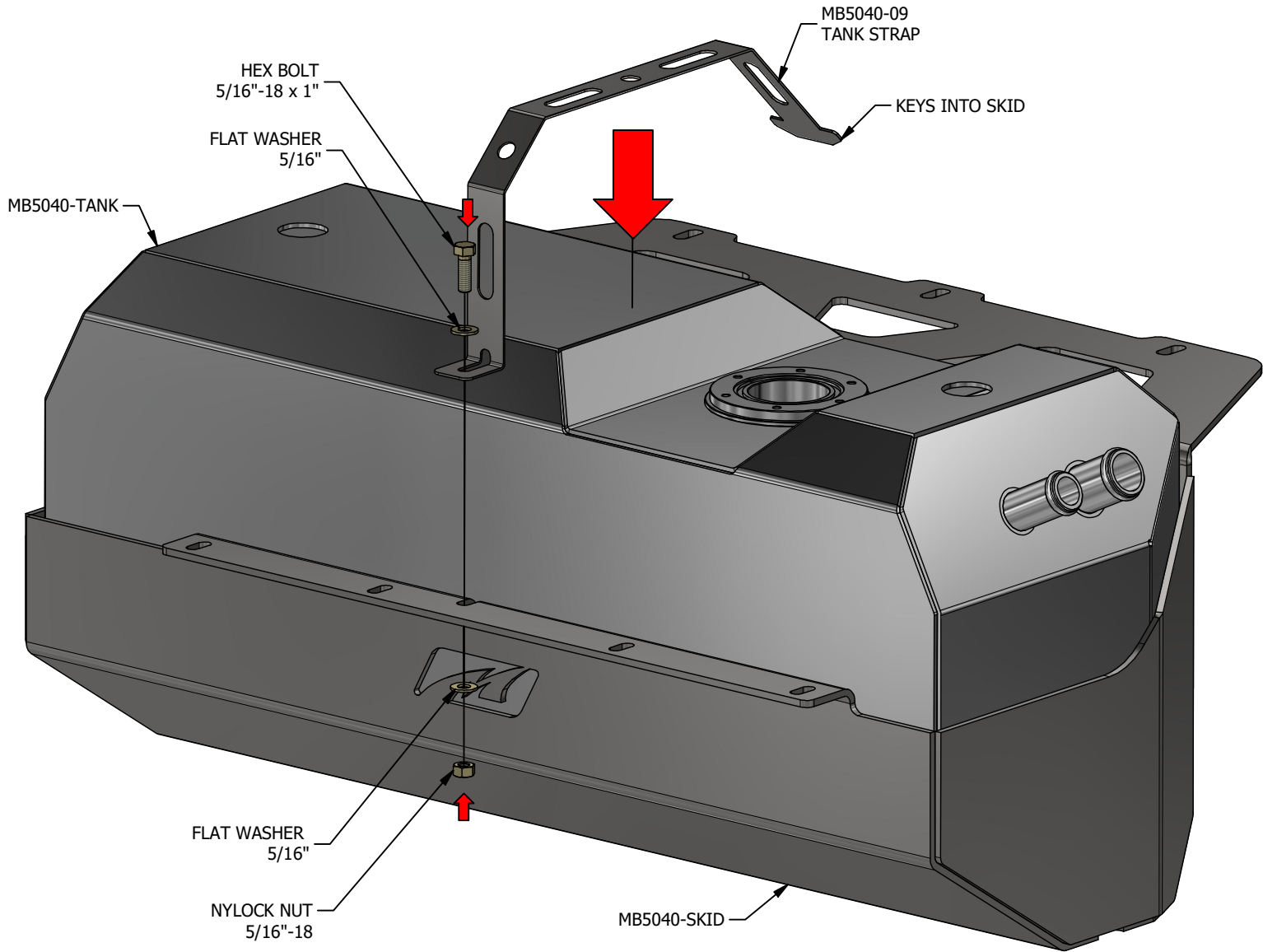
MB5040 - Assembly Instructions CJ-7 Stretch Fuel Tank and Skid

TANK INSTALLATION



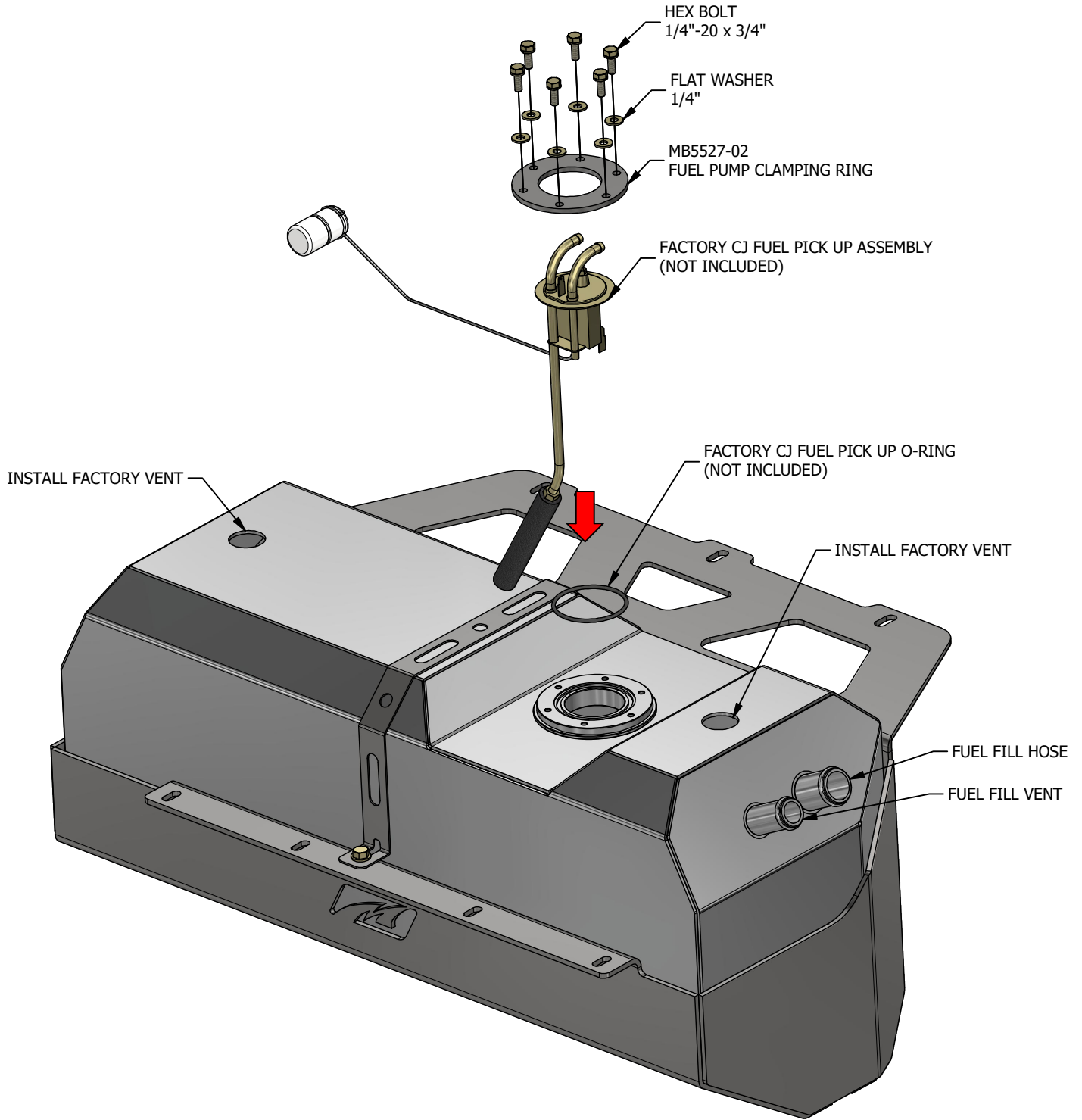
MB5040 - Assembly Instructions CJ-7 Stretch Fuel Tank and Skid

TANK INSTALLATION



MB5040 - Assembly Instructions CJ-7 Stretch Fuel Tank and Skid

PUMP INSTALLATION



NOTE
TANK INSTALLS IN THE FACTORY LOCATION