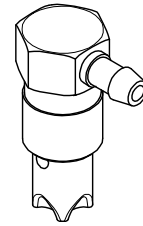
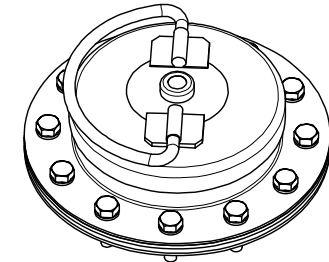


**MB5038  
FUEL CELL  
Qty: 1**

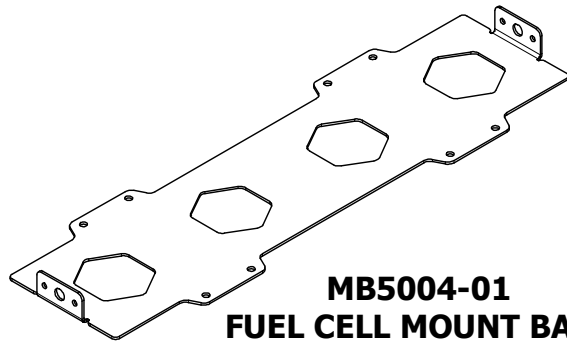


**ROLL OVER VALVE  
Qty: 1**

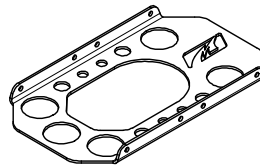


**FILLER NECK ASSEMBLY  
Qty: 1**

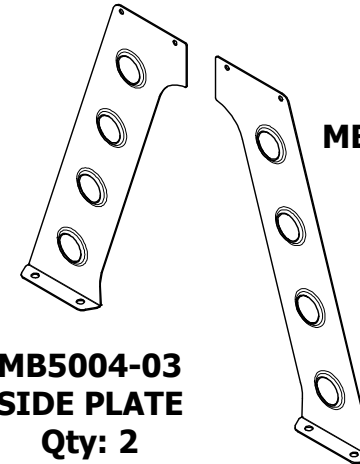
MB5004



**MB5004-01  
FUEL CELL MOUNT BASE  
Qty: 1**

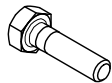


**MB5004-02  
TOP PLATE  
Qty: 1**



**MB5004-03\_MIR  
SIDE PLATE  
Qty: 2**

**MB5004-03  
SIDE PLATE  
Qty: 2**



**HEX BOLT  
1/4"-20 x 1" GR 8  
Qty: 8**



**HEX BOLT  
1/4"-20 x 3/4" GR 8  
Qty: 8**



**FLAT WASHER  
1/4"  
Qty: 16**



**NYLOCK HEX NUT  
1/4"-20 GR 8  
Qty: 16**



Dwg/Part No:

**MB5038 - Shipping**

Description:

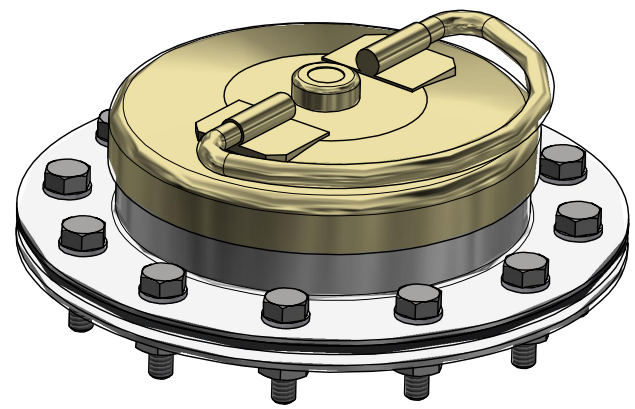
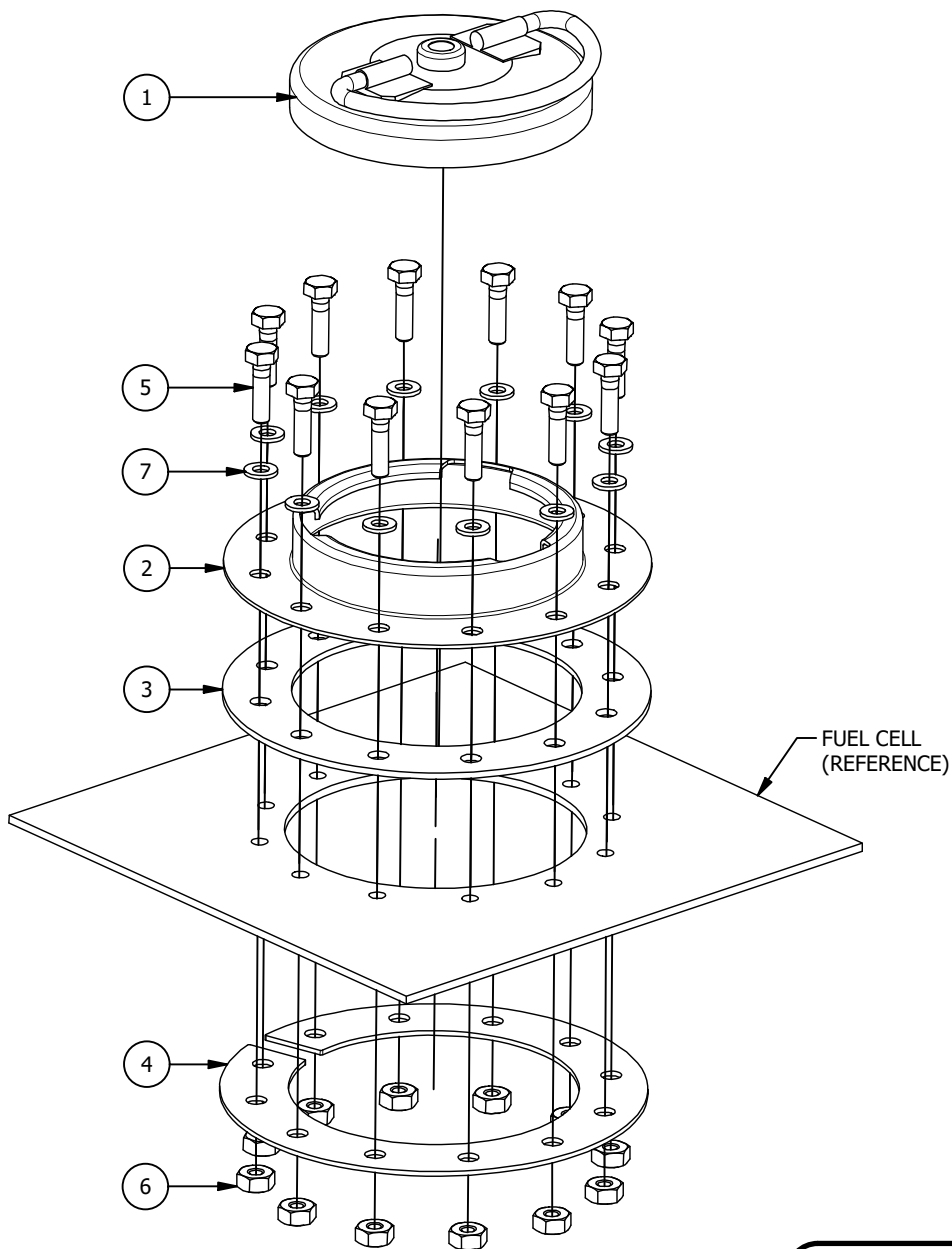
**15 Gallon Fuel Cell w/ -AN Fittings 30x17x7**

Sheet No: 1 of 2

Rev No: 0

Mat'l:

PARTS LIST		
ITEM	QTY	DESCRIPTION
1	1	Filler Cap, Series 600 Bail Handle
2	1	Filler Neck, 12 Hole
3	1	Filler Neck, 12 Hole, Rubber Gasket
4	1	Filler Neck, 12 Hole, Split Ring
5	12	Hex Bolt, 1/4" UNC x 1.0" lg
6	12	Nylock Nut, 1/4" UNC
7	12	Nylon Washer, 1/4"



FILLER NECK & CAP ASSEMBLY  
(AS SHIPPED)



Dwg/Part No: **Fuel Cells**  
 Description: **Filler Neck & Cap Assembly**  
 Mat'l:

Sheet No: **2** of **2**  
 Rev No: **0**