

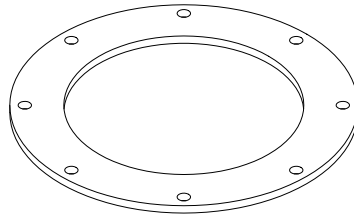
MB5026 - Assembly Instructions JL/JLU Rear Fuel Tank and Skid

KIT COMPONENTS

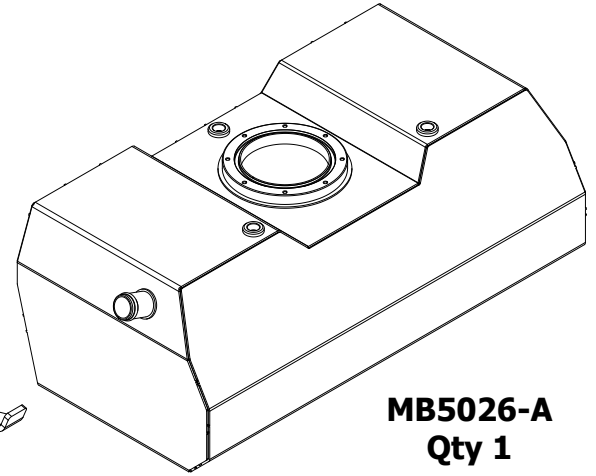
RUBBER HOSE
5/16"; 24"
Qty: 1

RUBBER STRIP
Qty: 2

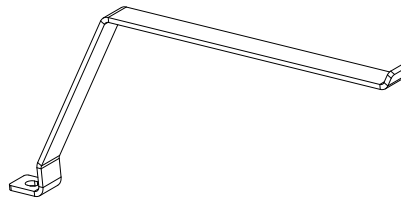
MB5028
FUEL EXTENSION ROD
Qty: 2



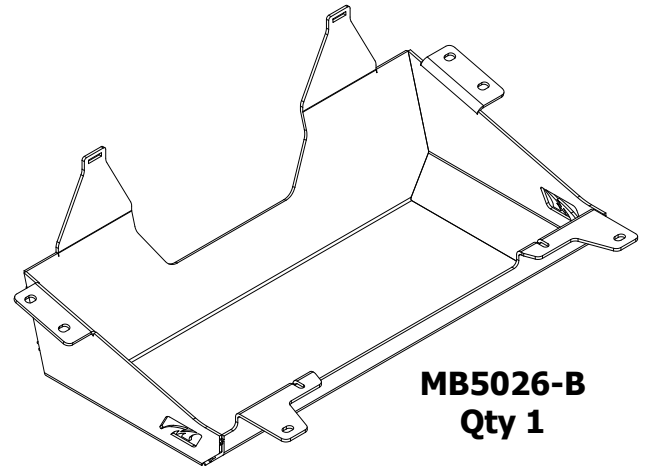
MB5515-02
Qty 1



MB5026-A
Qty 1



MB5026-05
Qty 2



MB5026-B
Qty 1

HEX BOLT
1/4"-20 x 1"
Qty 8

LOCK WASHER
1/4"
Qty 10

FLAT WASHER
1/4"
Qty 8

ROLL OVER VALVE
Qty: 2

HEX BOLT
3/8"-16 x 1-1/4"
Qty 2

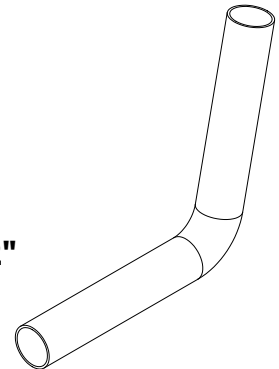
FLAT WASHER
3/8"
Qty 4

HOSE CLAMP
1/2"
Qty: 2

RIVNUT
M10 x 1.5
Qty: 2

NPT PLUG
1/2" NPT
Qty: 1

Hose Clamp, 1-1/2"
Qty 4



90 Degree Rubber Hose, 1-1/2"
Qty 1

HEX BOLT
M10-1.5 x 25mm
Qty 6

FLAT WASHER
7/16"
Qty 6

RETAINING RING
5mm
Qty: 3

NYLOCK NUT
3/8"-16
Qty 2