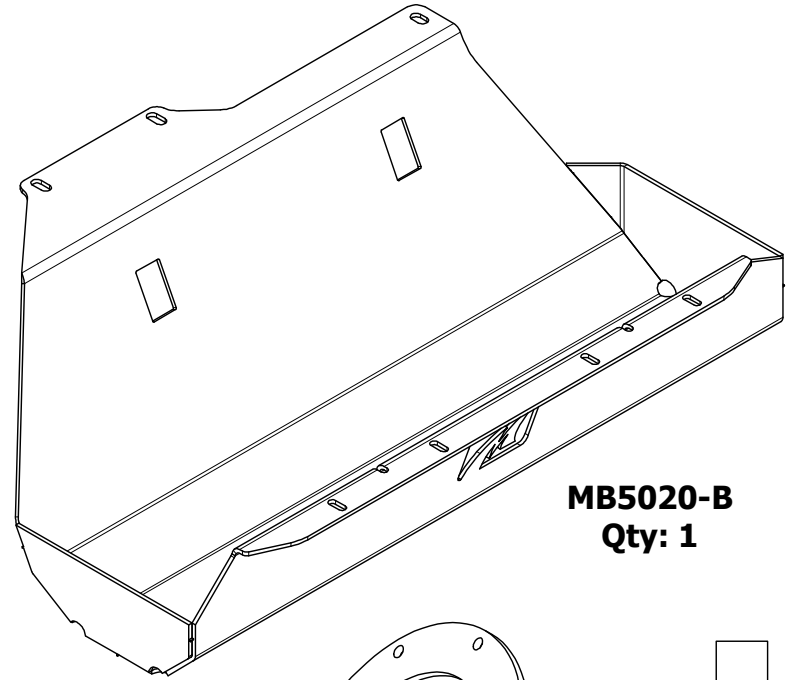
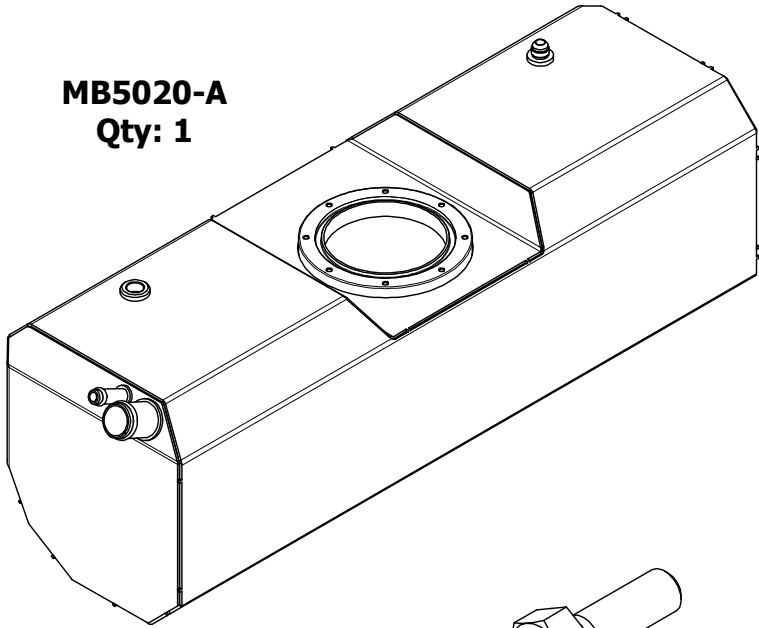
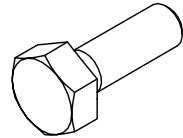


MB5020-A
Qty: 1



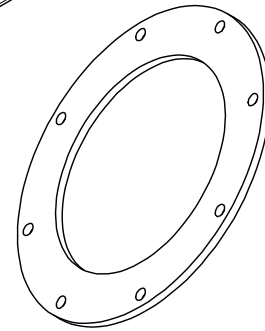
MB5020-B
Qty: 1



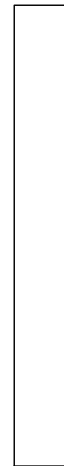
HEX HEAD BOLT
1/4\"-20 x 1\"
Qty: 8



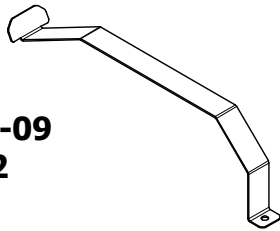
FLAT WASHER
1/4\"
Qty: 8



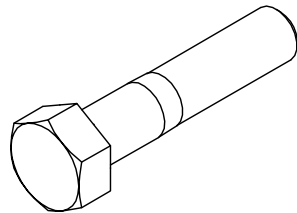
MB5020-02
Qty: 1



RUBBER STRIP
Qty: 2



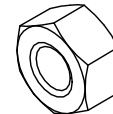
MB5020-09
Qty: 2



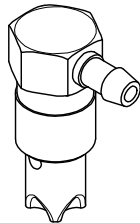
HEX HEAD BOLT
5/16\"-18 x 1-1/2\"
Qty: 2



FLAT WASHER
5/16\"
Qty: 4



NYLOCK NUT
5/16\"-18
Qty: 2



ROLL OVER VALVE
Qty: 1



Dwg/Part No:
MB5020 - Shipping
Description:
Aluminum Fuel Tank & Skid TJ / LJ

Sheet No: **1** of **1**
Rev No: **0**

Mat'l: