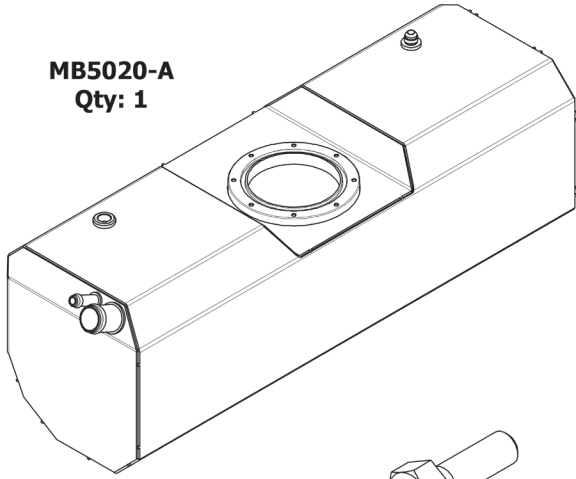
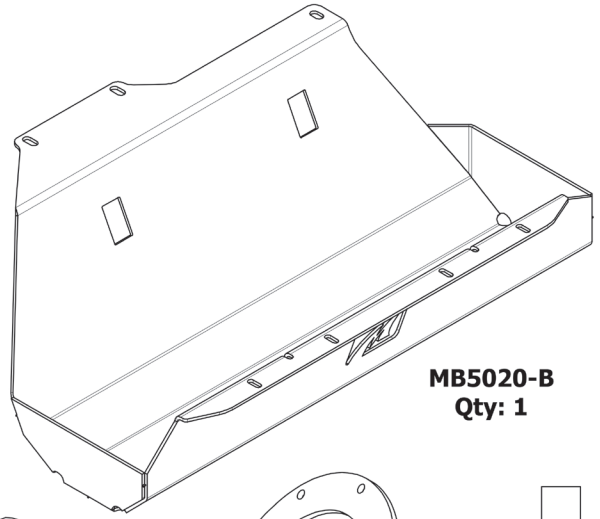


MB5020 TJ-LJ Alum Fuel Tank & Skid

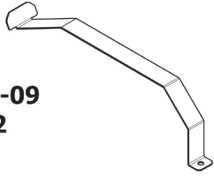
MB5020-A
Qty: 1



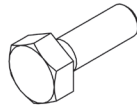
MB5020-B
Qty: 1



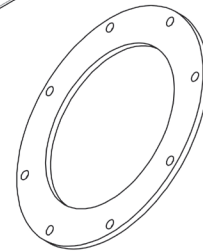
MB5020-09
Qty: 2



HEX HEAD BOLT
1/4"-20 x 1"
Qty: 8

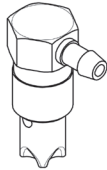


FLAT WASHER
1/4"
Qty: 8

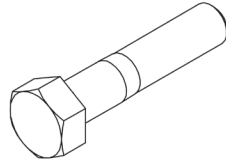


MB5020-02
Qty: 1

ROLL OVER VALVE
Qty: 1



HEX HEAD BOLT
5/16"-18 x 1-1/2"
Qty: 2



FLAT WASHER
5/16"
Qty: 4



NYLOCK NUT
5/16"-18
Qty: 2



RUBBER STRIP
Qty: 2



MB5020 TJ-LJ Alum Fuel Tank & Skid

NOTE:

TEST FIT ALL PARTS BEFORE PAINT

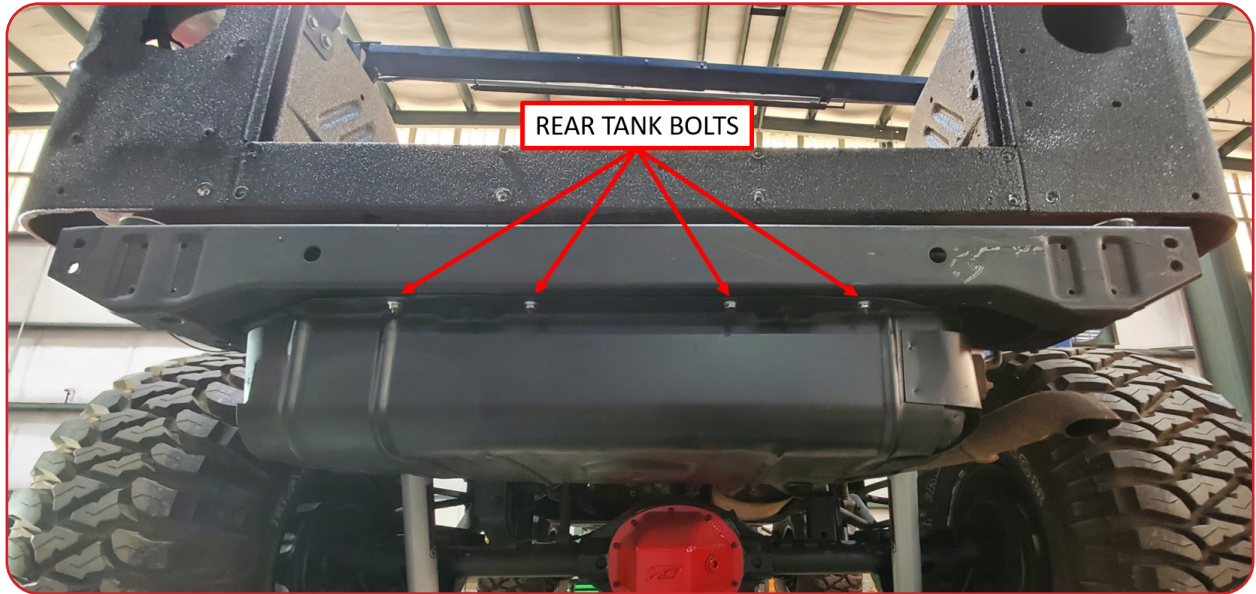
This tank will require adaptation to the EVAP system

- 1** Disconnect the negative terminal on the battery.
- 2** Disconnect the fuel filler hose from the fuel filler neck assembly



MB5020 TJ-LJ Alum Fuel Tank & Skid

- 3** Remove the bolts holding the factory tank from the frame. Four bolts in the rear and three bolts in the front hold the tank and skid to the frame.



- 4** Lower the tank and disconnect the fuel lines, EVAP lines, and wiring harness from the top of the tank.

- 5** Remove the factory tank from the jeep.



MB5020 TJ-LJ Alum Fuel Tank & Skid

- 6** Insert the rubber spacers inside the fuel tank skid.



- 7** Insert the Motobilt aluminum tank into the steel Motobilt skid tank and secure with the two MB5020-09 tank straps with supplied hardware.

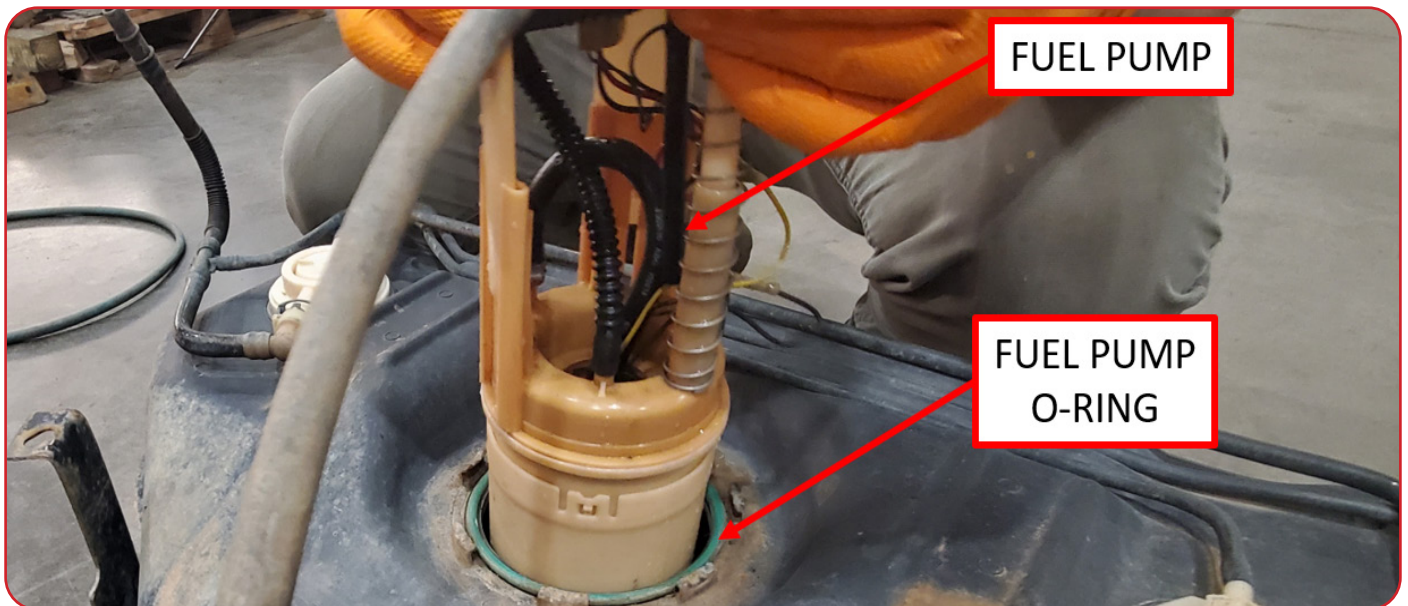


MB5020 TJ-LJ Alum Fuel Tank & Skid

- 8** Remove the fuel pump from the factory tank by turning and unlocking the retaining ring.

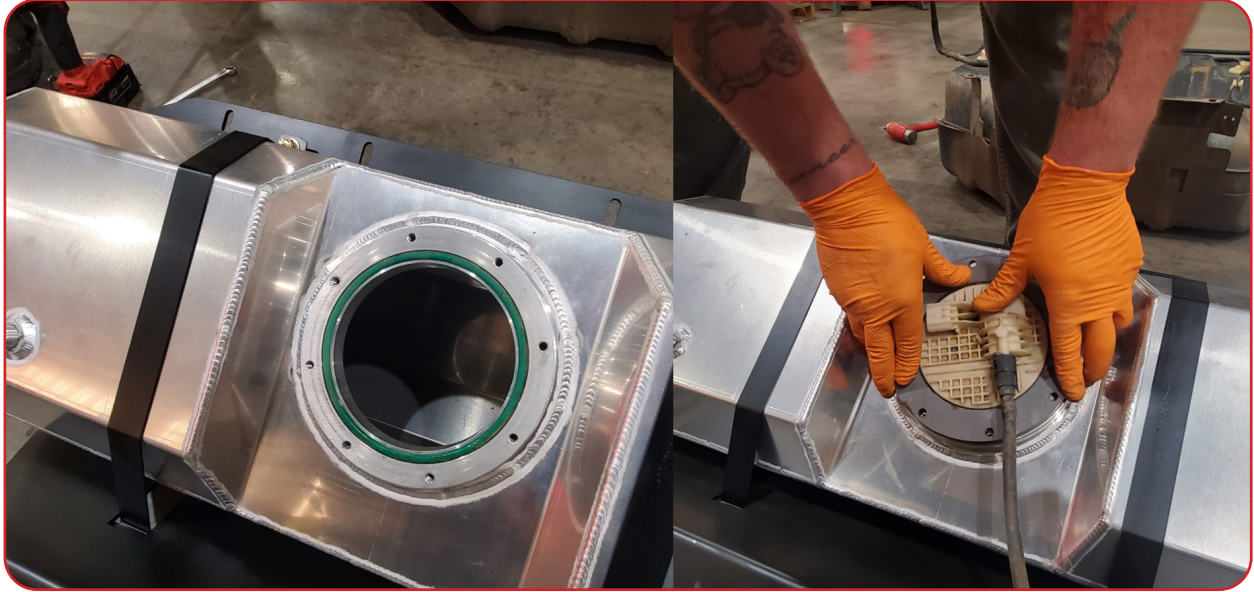


- 9** Remove the pump from the factory tank and remove the O-ring to be reused on the Motobilt aluminum tank.

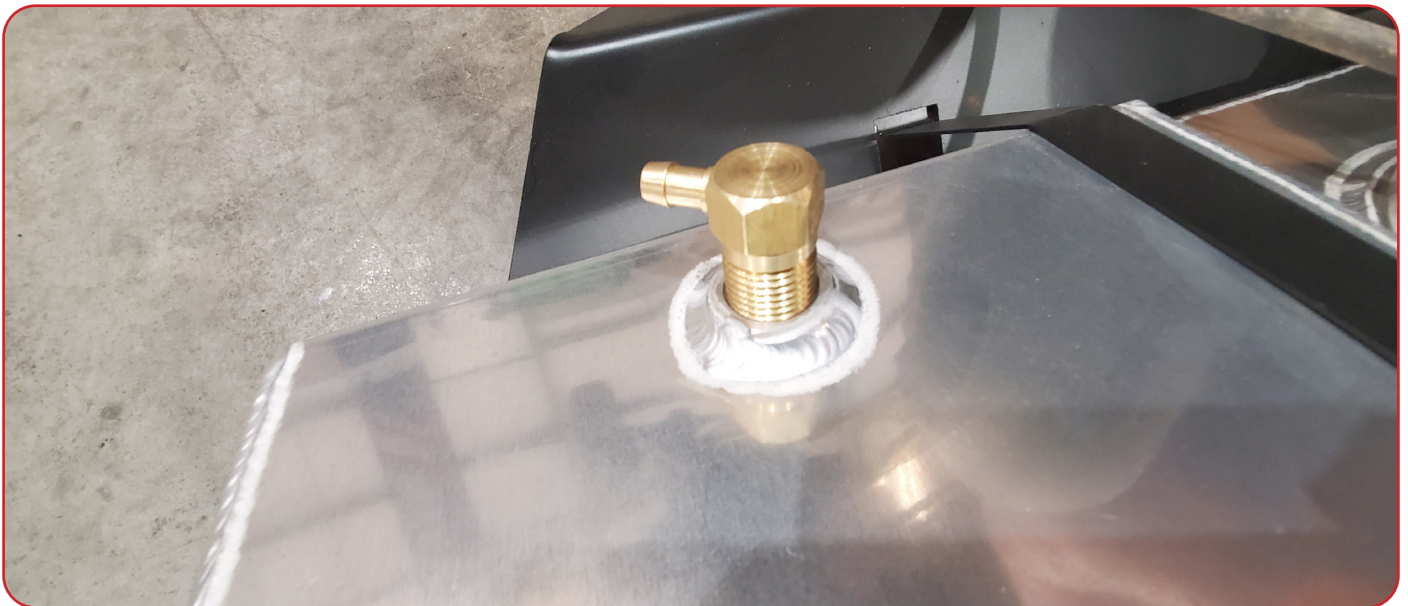


MB5020 TJ-LJ Alum Fuel Tank & Skid

- 8** Insert the factory fuel pump with the factory O-ring into the aluminum tank. Clamp the fuel pump to the tank using the MB5020-02 clamp ring and eight 1/4"-20 x 1" bolts with 1/4" washers.

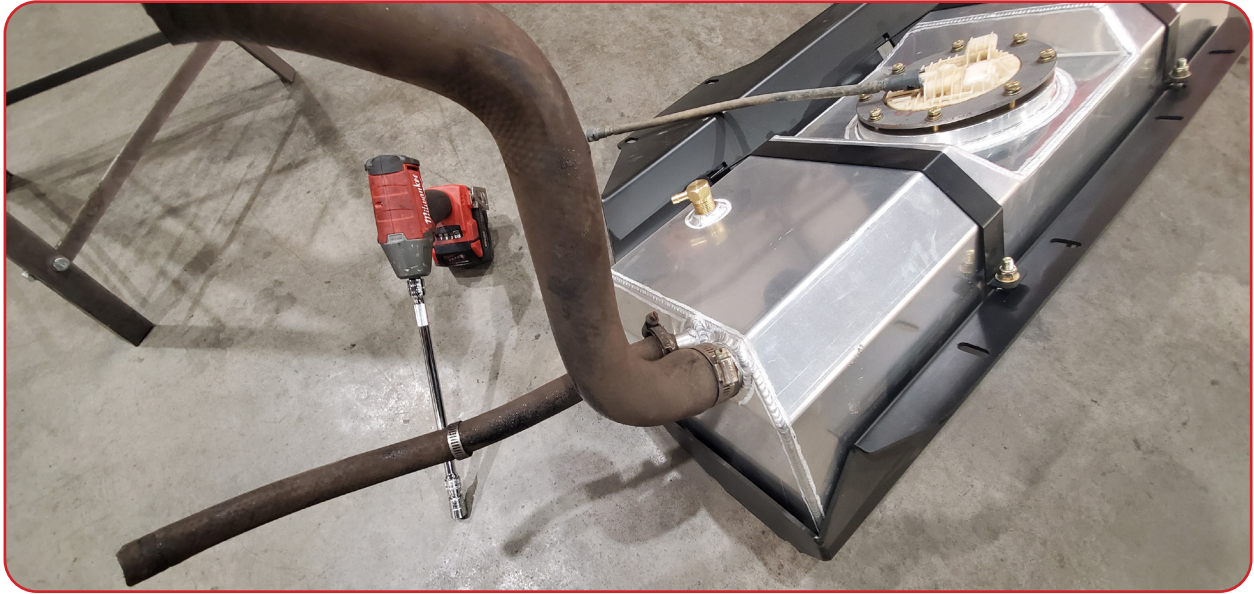


- 11** Install the roll over valve / vent in the top of the tank.



MB5020 TJ-LJ Alum Fuel Tank & Skid

- 12** Install the factory fuel filler line and vent hose.



- 13** Raise the tank back into the jeep in the factory location and reattach the fuel lines, fuel filler hose to the filler neck assembly, wiring harness, EVAP lines, and vent line. The EVAP lines, if equipped will need to be adapted to fit. The -8AN fitting can be used as a return line, adapted to the EVAP system, or blocked off completely.



MB5020 TJ-LJ Alum Fuel Tank & Skid

- 12** Install the factory fuel filler line and vent hose.



- 13** Raise the tank back into the jeep in the factory location and reattach the fuel lines, fuel filler hose to the filler neck assembly, wiring harness, EVAP lines, and vent line. The EVAP lines, if equipped will need to be adapted to fit. The -8AN fitting can be used as a return line, adapted to the EVAP system, or blocked off completely.

- 14** Remove parts and paint or powder coat for the desired finish.

