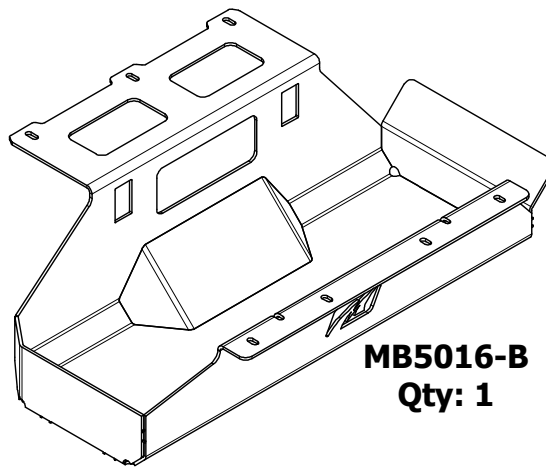
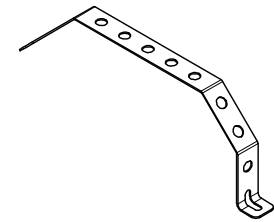


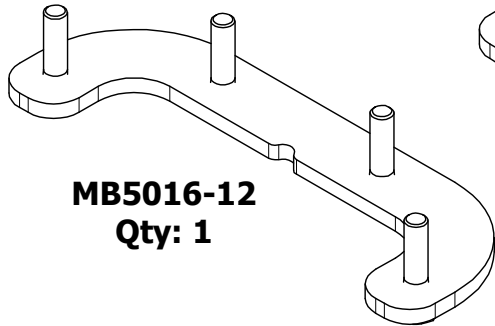
**MB5016-A**  
Qty: 1



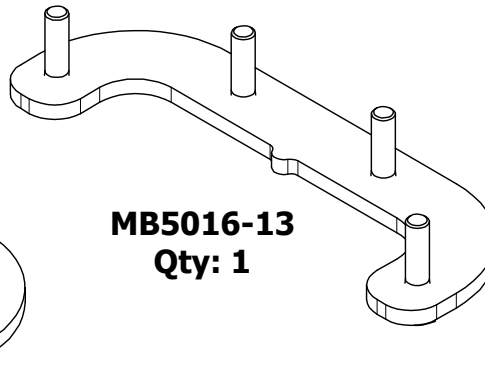
**MB5016-B**  
Qty: 1



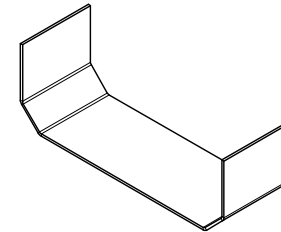
**MB5016-11**  
Qty: 2



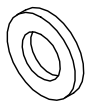
**MB5016-12**  
Qty: 1



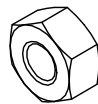
**MB5016-13**  
Qty: 1



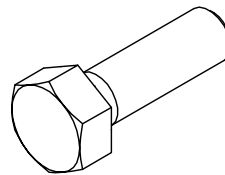
**RUBBER STRIP**  
Qty: 1



**NYLON WASHER**  
1/4"  
Qty: 8



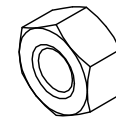
**NYLOCK NUT**  
1/4"-28  
Qty: 8



**HEX BOLT**  
5/16"-18 x 1" GR 8  
Qty: 5



**FLAT WASHER**  
5/16"  
Qty: 10



**NYLOCK NUT**  
5/16"-18  
Qty: 5



Dwg/Part No:  
**MB5016 - Shipping**

Description:  
**YJ Rear Stretch Fuel Tankl & Skid**

Mat'l:

Sheet No: **1** of **1**  
Rev No: **0**