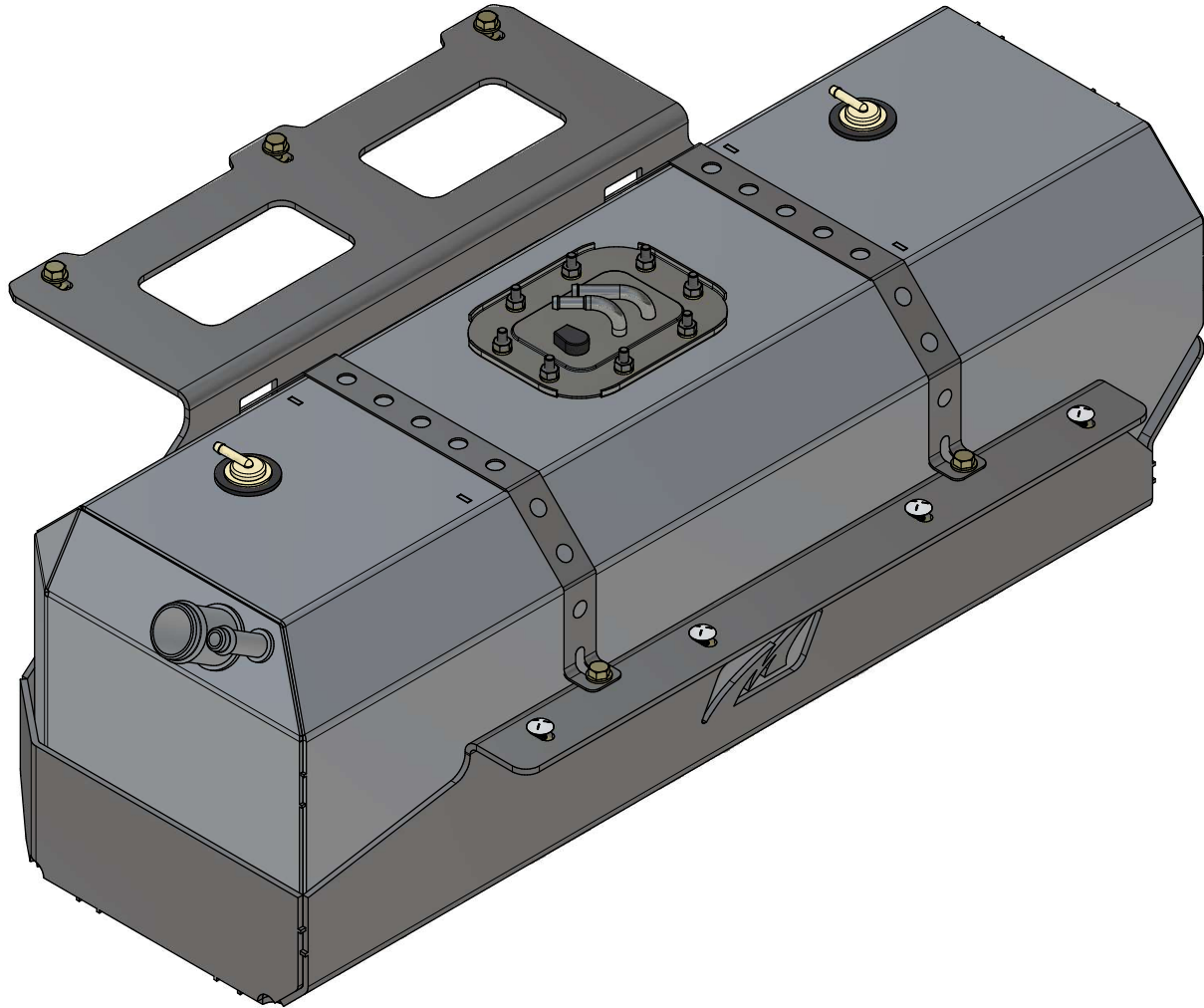
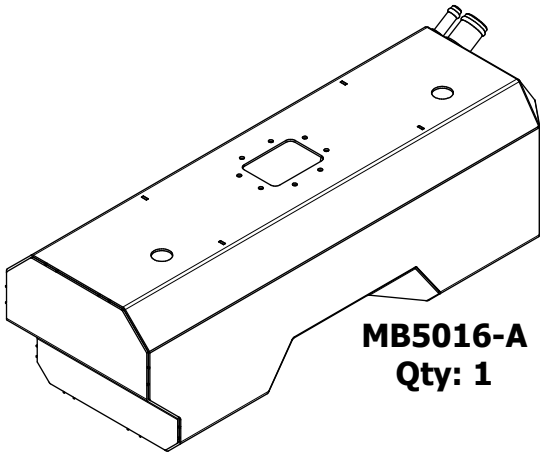


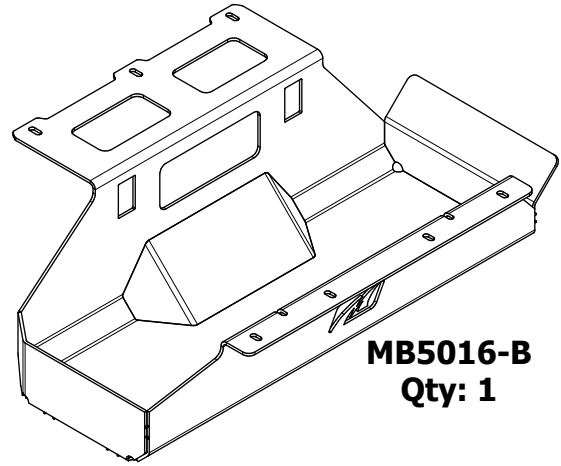
YJ REAR STRETCH FUEL TANK AND SKID



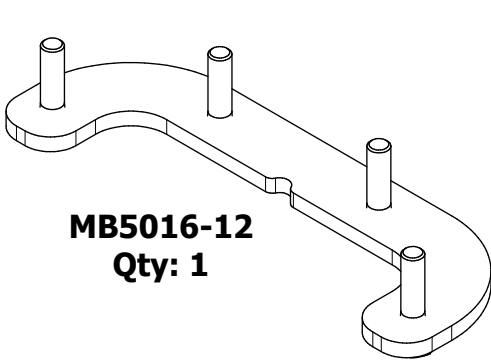
ASSEMBLY INSTRUCTIONS

MB5016 - Assembly Instructions Rear Stretch Fuel Tank & Skid - YJ**KIT COMPONENTS**

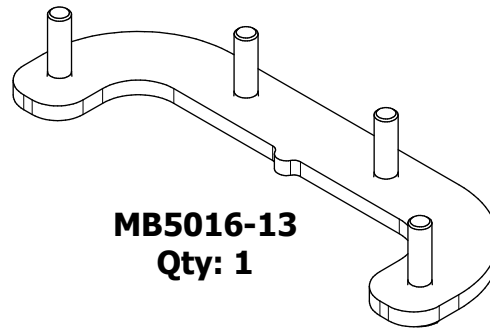
MB5016-A
Qty: 1



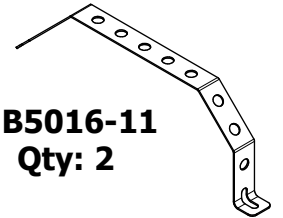
MB5016-B
Qty: 1



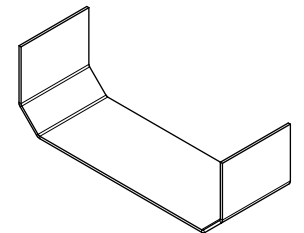
MB5016-12
Qty: 1



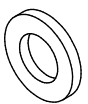
MB5016-13
Qty: 1



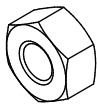
MB5016-11
Qty: 2



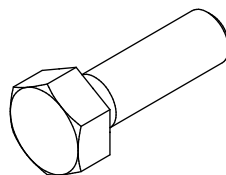
RUBBER STRIP
Qty: 1



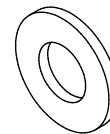
NYLON WASHER
1/4"
Qty: 8



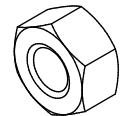
NYLOCK NUT
1/4"-28
Qty: 8



HEX BOLT
5/16"-18 x 1" GR 8
Qty: 5



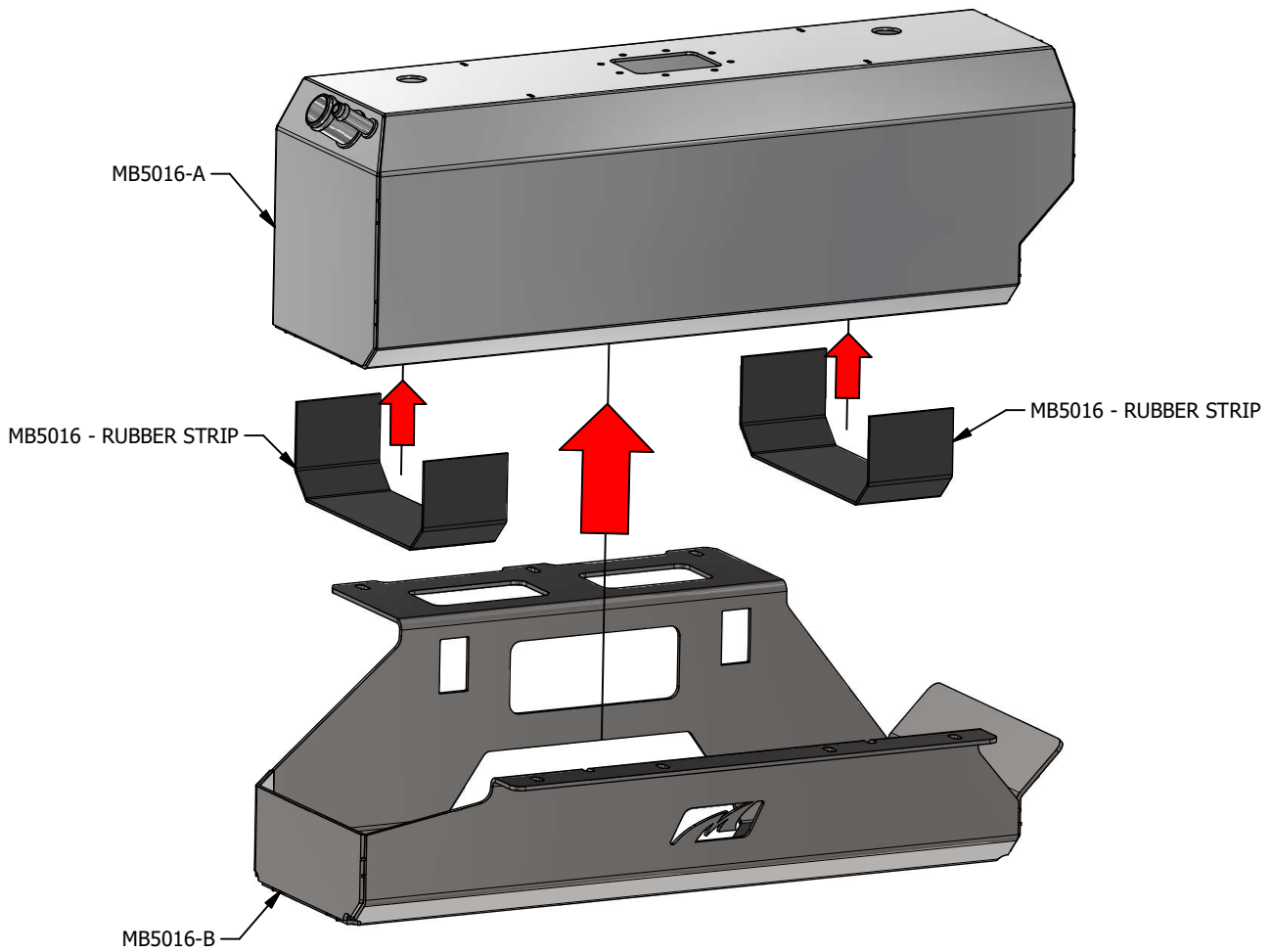
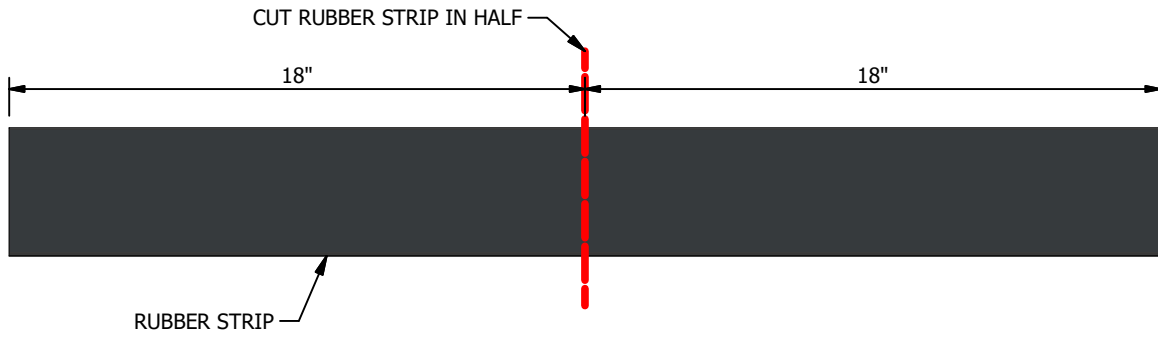
FLAT WASHER
5/16"
Qty: 10



NYLOCK NUT
5/16"-18
Qty: 5

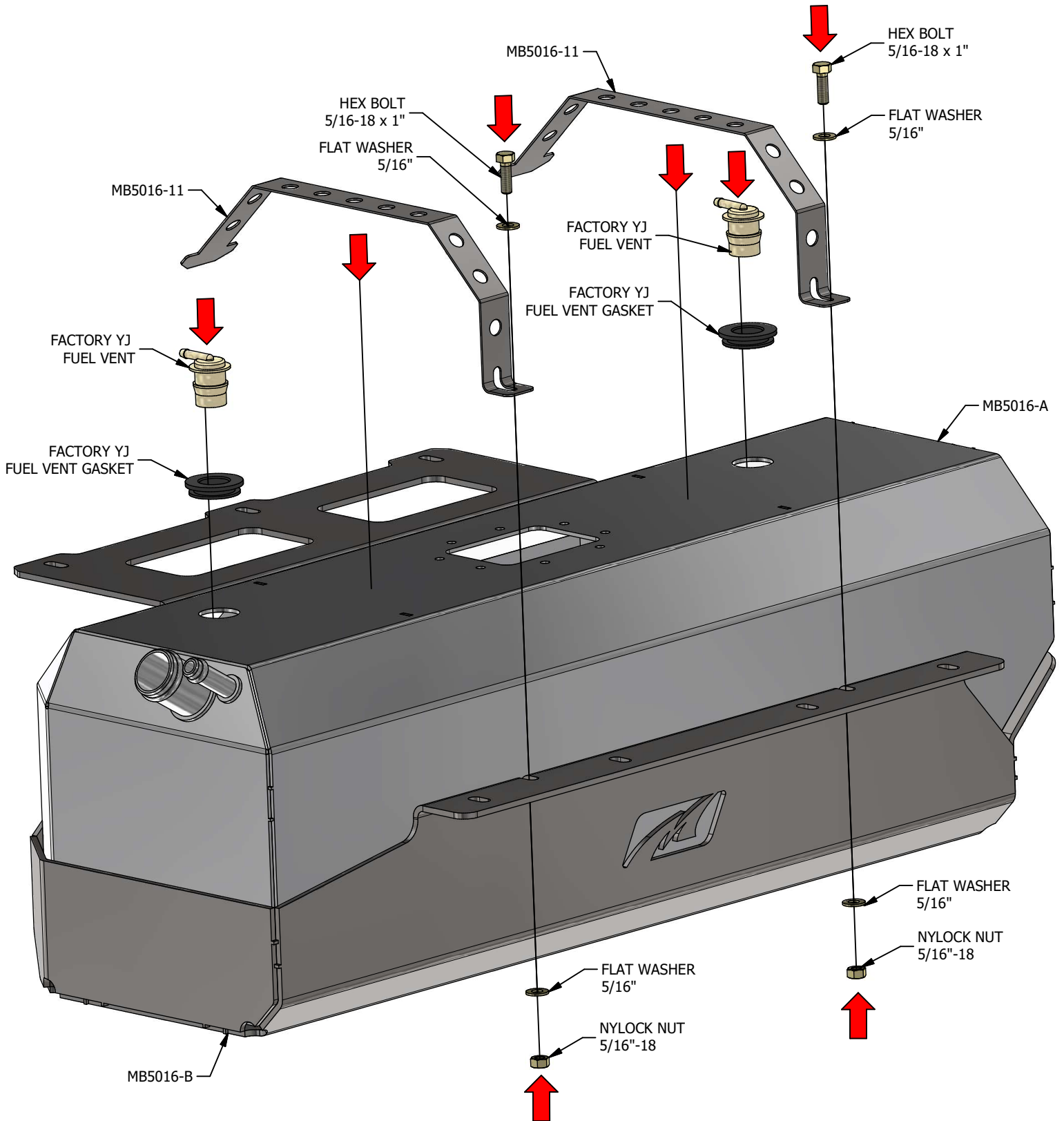
MB5016 - Assembly Instructions Rear Stretch Fuel Tank & Skid - YJ

RUBBER STRIP



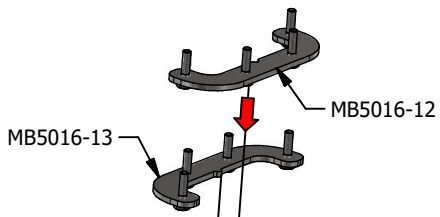
MB5016 - Assembly Instructions Rear Stretch Fuel Tank & Skid - YJ

TANK ASSEMBLY

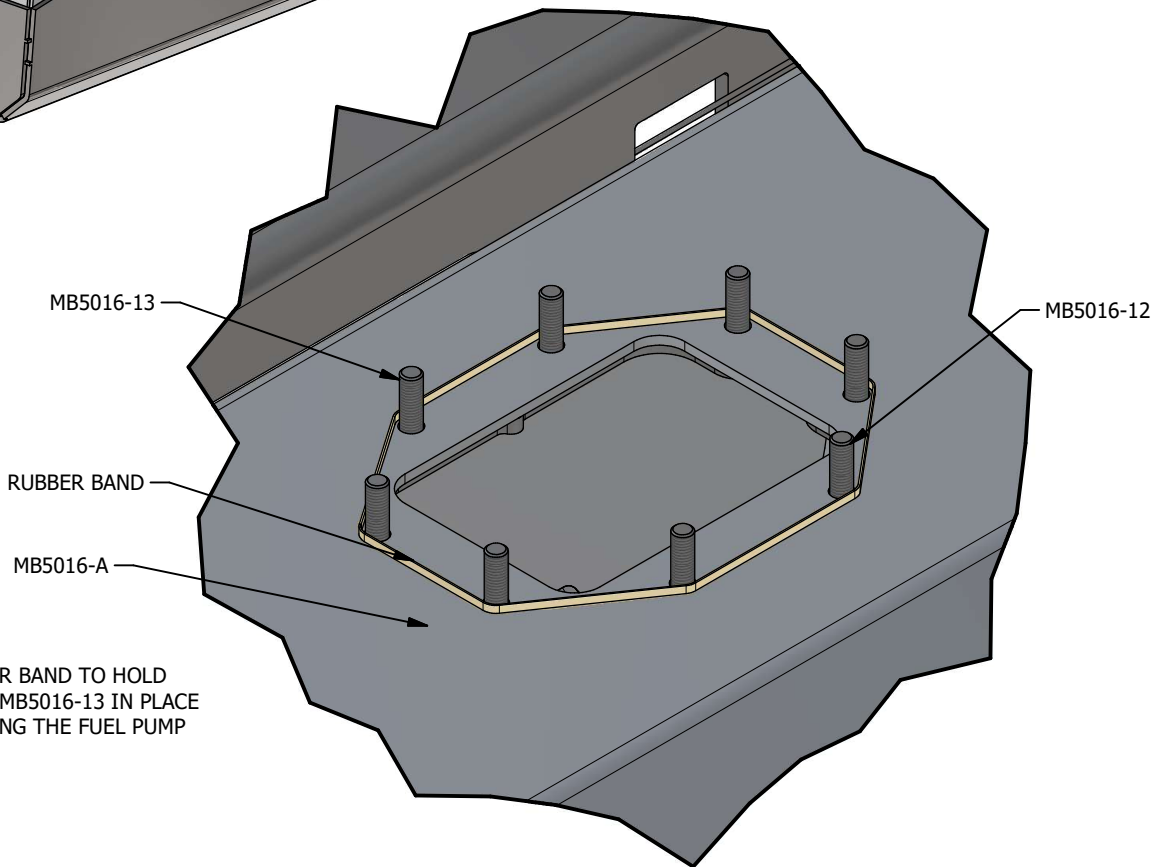
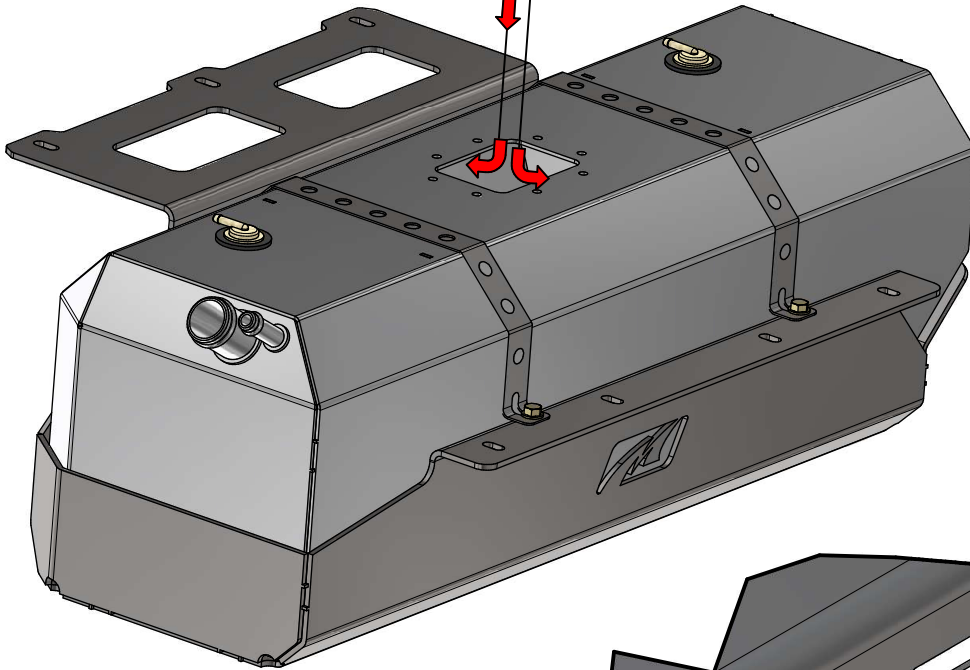
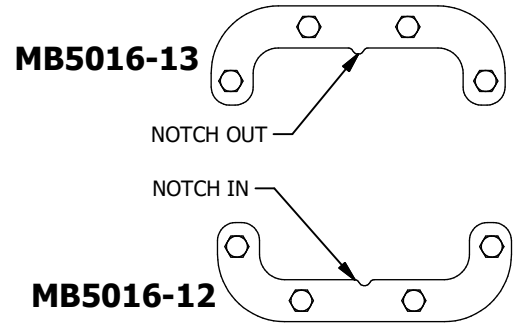


MB5016 - Assembly Instructions Rear Stretch Fuel Tank & Skid - YJ

FUEL PUMP ASSEMBLY



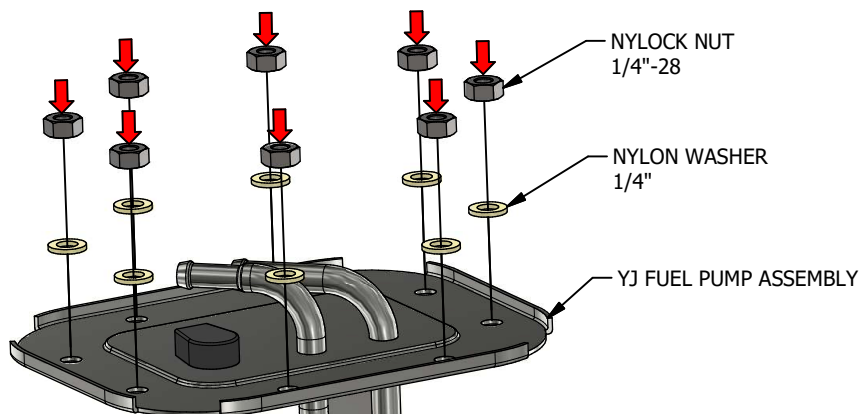
NOTE: BECAUSE OF THE YJ FUEL PUMP BOLT PATTERN, MB5016-12 AND MB5016-13 CAN ONLY BE BOLTED IN ONE ORIENTATION.



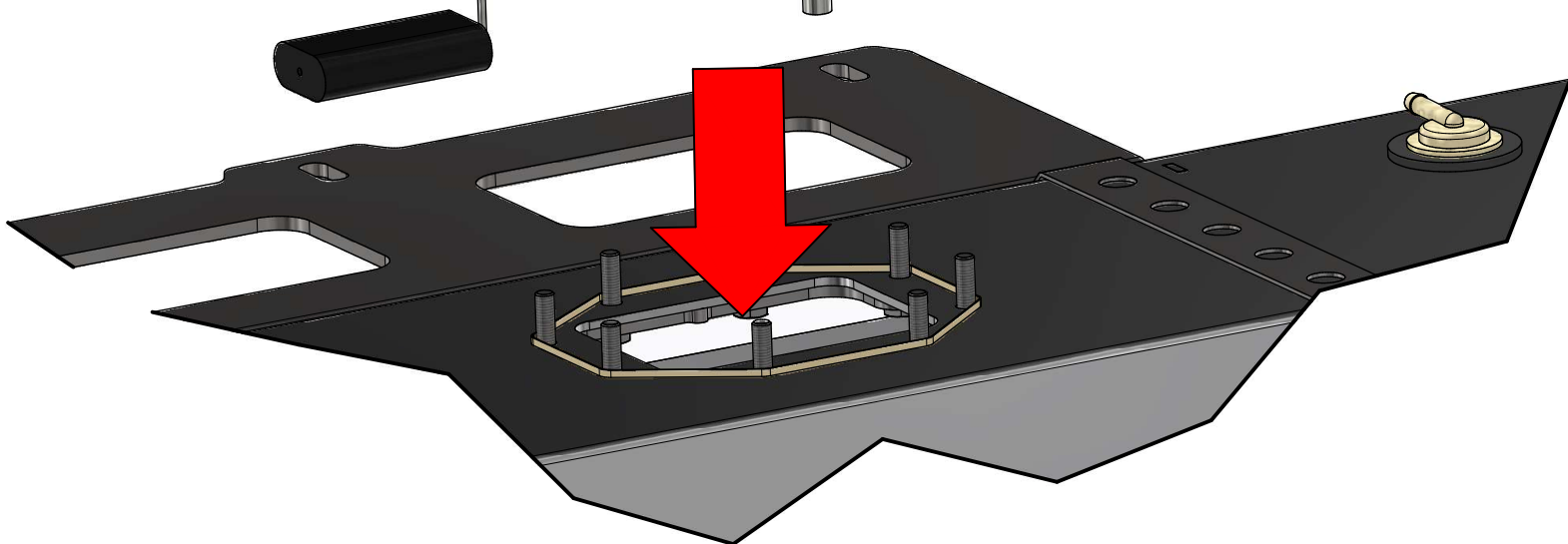
USE A RUBBER BAND TO HOLD MB5016-12 AND MB5016-13 IN PLACE WHEN MOUNTING THE FUEL PUMP

MB5016 - Assembly Instructions Rear Stretch Fuel Tank & Skid - YJ

FUEL PUMP ASSEMBLY

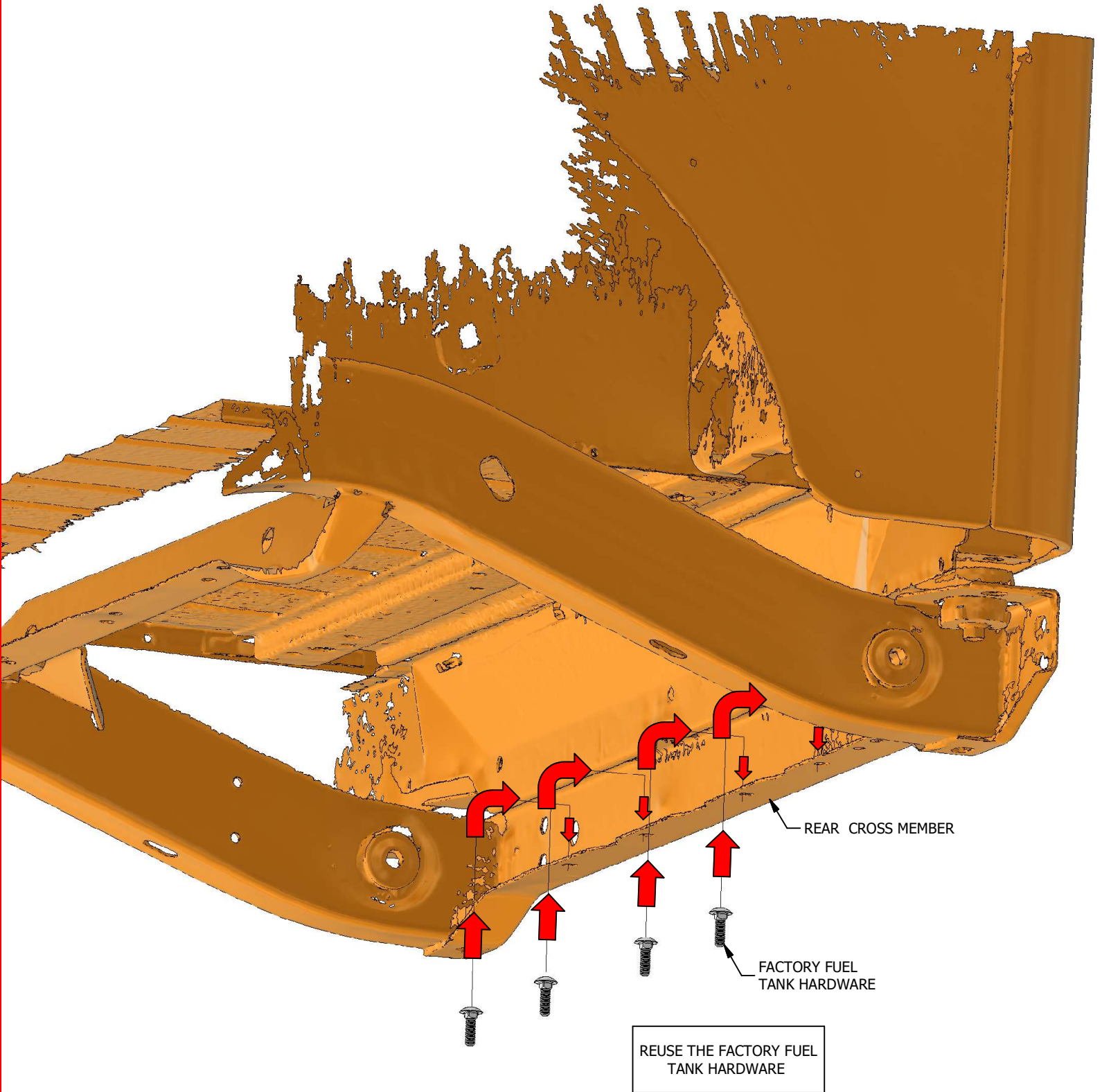


INSTALL THE FUEL PUMP IN THE TANK AND THREAD THE NUTS ONTO ASSEMBLY MB5016-12 AND MB5016-13, BUT DO NOT TIGHTEN. WITH THE NUTS LOOSELY HOLDING THE ASSEMBLIES IN PLACE REMOVE THE RUBBER BAND AND DISCARD. NOW TIGHTEN THE HARDWARE SECURING THE FUEL PUMP.



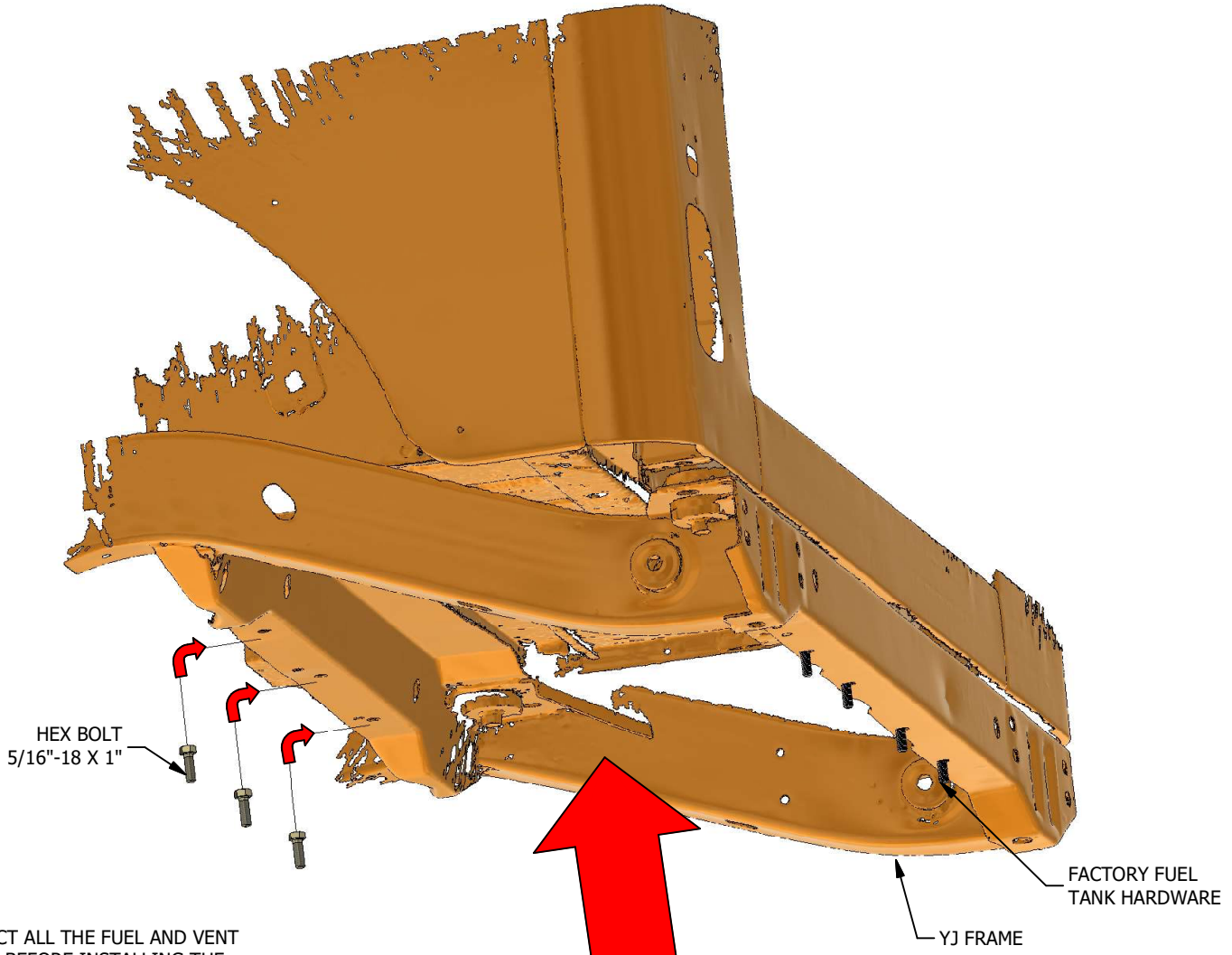
MB5016 - Assembly Instructions Rear Stretch Fuel Tank & Skid - YJ

TANK INSTALLATION



MB5016 - Assembly Instructions Rear Stretch Fuel Tank & Skid - YJ

TANK INSTALLATION



CONNECT ALL THE FUEL AND VENT LINES BEFORE INSTALLING THE TANK INTO THE FRAME WHILE THERE IS STILL ACCESS TO THE TANK. ONCE THE TANK IS INSTALLED CONNECT THE FUEL FILL AND FUEL FILL VENT LINES.

