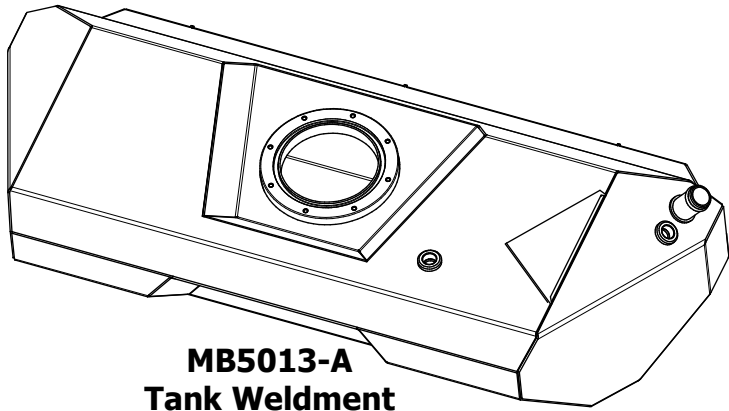
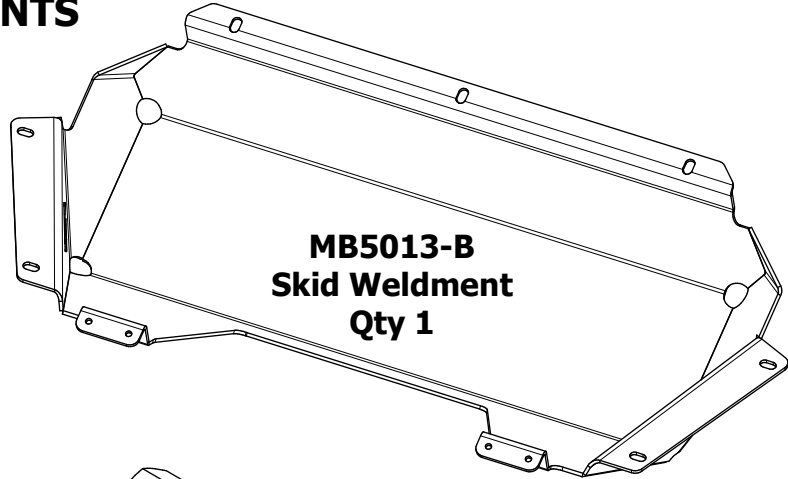


MB5013 - Assembly Instructions JKU Fuel Tank & Skid for Back Half Kit

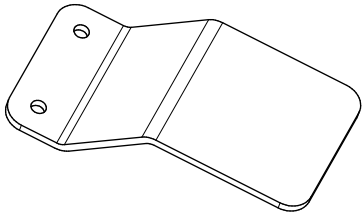
CONTENTS



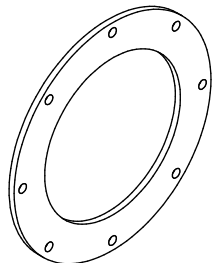
**MB5013-A
Tank Weldment
Qty 1**



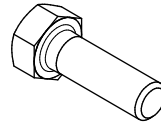
**MB5013-B
Skid Weldment
Qty 1**



**MB5013-08
Qty 2**



**MB5515-02
Qty 1**



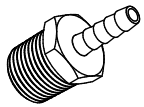
**Hex Bolt
5/16\"-18 x 1-1/4\"
Qty 4**



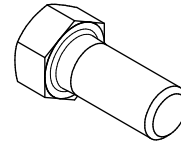
**Flat Washer
5/16\"
Qty 8**



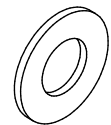
**Nylock Nut
5/16\"-18
Qty 4**



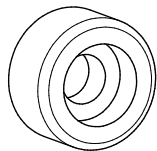
**Barbed Hose Fitting
Qty 1**



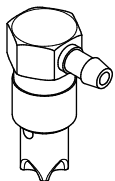
**Hex Bolt
7/16\"-14 x 1\"
Qty 7**



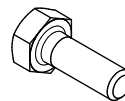
**Flat Washer
7/16\"
Qty 7**



**Rubber Bumper
1\" OD x 7/16\" ID without
Flat Washer inside
Qty 3**



**Roll Over Valve
Qty 1**



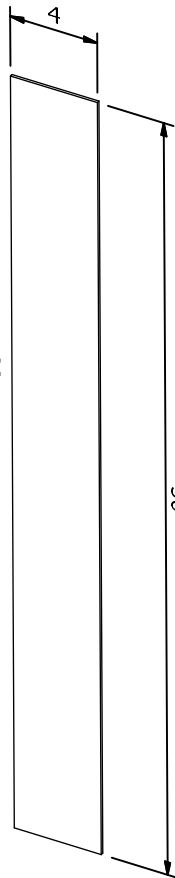
**Hex Bolt
1/4\"-20 x 3/4\"
Qty 8**



**Lock Washer
1/4\"
Qty 8**



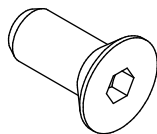
**Flat Washer
1/4\"
Qty 8**



**Rubber Strip
Qty 2**



**E-Clip, 4mm
Qty 4**



**Countersunk Screw
7/16\"-14 x 1\"
Qty 3**



**Flat Washer
M6 Stainless
Qty 1**



**MB5015
Fuel Pump Extension Rod
Qty 2**



**Primary Wire, Black 4\"
Qty 1**



**Primary Wire, Red 4\"
Qty 1**



**Butt Connector, Pink
Qty 4**