

## PARTS LIST

ITEM	QTY	PART NUMBER	DESCRIPTION
1	1	MOPAR#68065575AC	Jeep JK Fuel Pump (NOT INCLUDED)
2	1	MDPAR#55366298AA	Jeep JK Fuel Pump Seal (NOT INCLUDED)
3	2		Rubber Strip 1/8 x 4 x 36 (TO BE CUT)
4	1	MB5515-02	JK Fuel Pump Clamp Ring
5	1	MB5013-B	JK Fuel Cell Skid
6	1	MB5013-A	JK Fuel Cell
7	2	MB5013-08	Fuel Cell Clamp Plate
8	3		Rubber Bumper
9	7	7/16-14 UNC x 1	Hex Bolt
10	3	7/16-14 UNC x 1	Flat Head socket Cap Screw
11	7	7/16	Flat washer
12	4	5/16-18 UNC x 1	Hex Bolt
13	4	5/16 - 18 UNC	Hex Nut
14	4	5/16	Plain Washer
15	8	1/4-20 UNC x 0.75	Hex Bolt
16	8	1/4	Helical Spring Lock Washer
17	8	1/4	Flat Washer

NOTE: THIS PARTS LIST IS REFERENCED ON ALL OTHER ASSEMBLY DRAWINGS.



Dwg/Part No:

**MB5013 - Assembly**

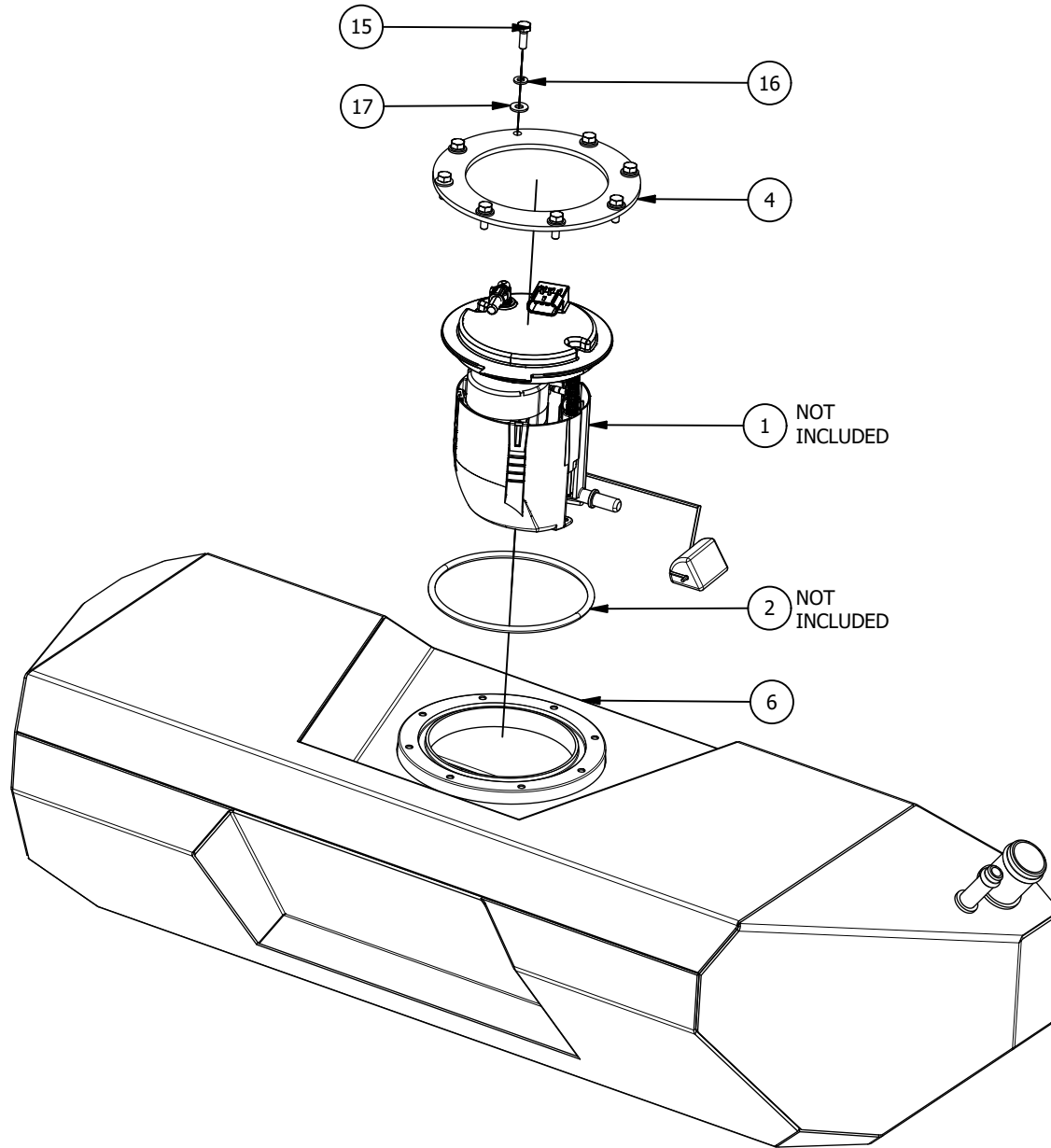
Description:

**Jeep JK Fuel Cell for Back Half Kit**

Mat'l:

 Sheet No: **1** of **6**

Rev No:



### FUEL PUMP INSTALLATION



Dwg/Part No:

**MB5013 - Assembly**

Description:

**Jeep JK Fuel Cell for Back Half Kit**

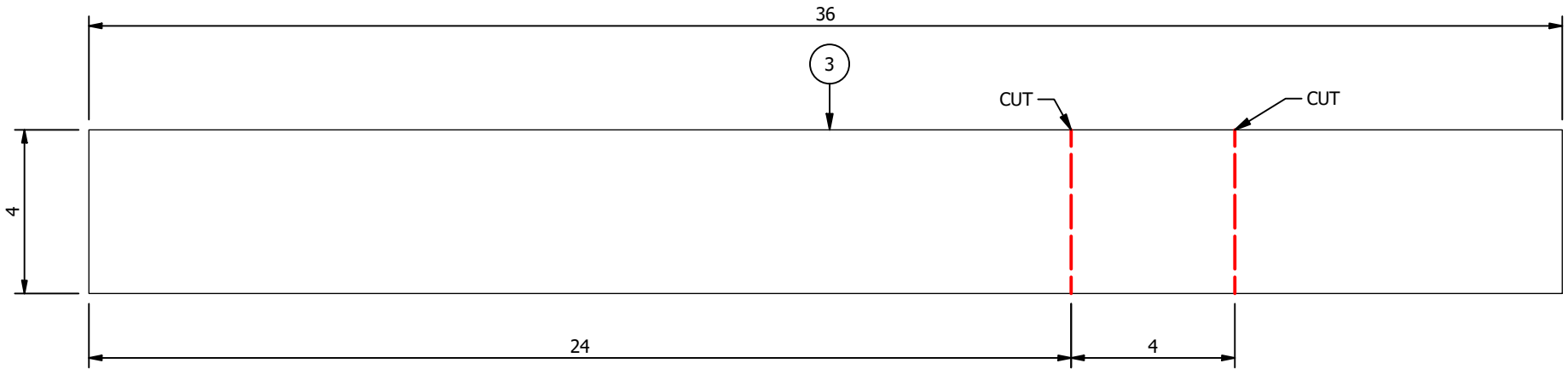
Sheet No: **2** of **6**

Rev No:

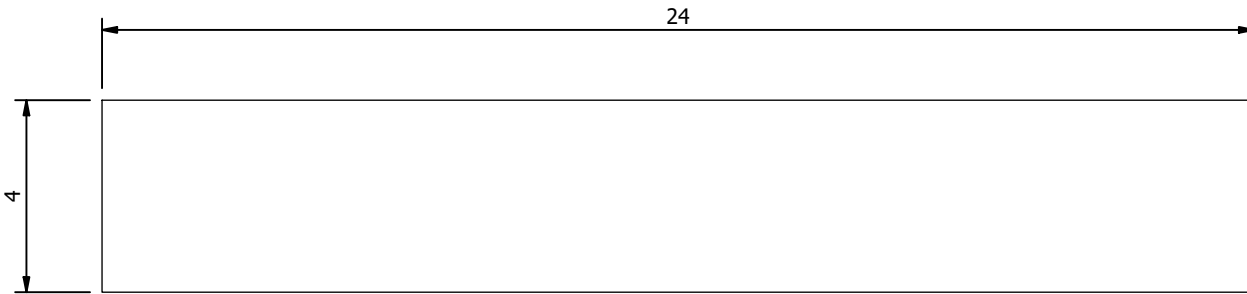
Mat'l:

\*THESE RUBBER PADS DAMPEN VIBRATION BETWEEN THE FUEL CELL AND THE SKID PLATE, THEY ALSO PREVENT CORROSION BETWEEN THE ALUMINUM AND THE STEEL

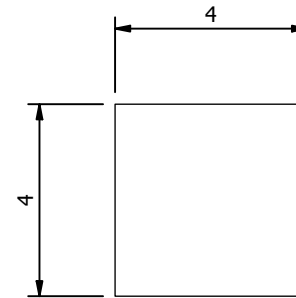
\* SEE PARTS LIST ON SHEET 1 OF 6  
\* ALL DIMENSIONS ARE IN INCHES



QTY TWO (2) RUBBER STRIPS  
MEASURING 1/8" x 4" x 36"  
AS SHIPPED



x 2 PIECES



x 2 PIECES

AFTER CUTTING  
BY CUSTOMER

### CUTTING RUBBER STRIPS



Dwg/Part No:

**MB5013 - Assembly**

Description:

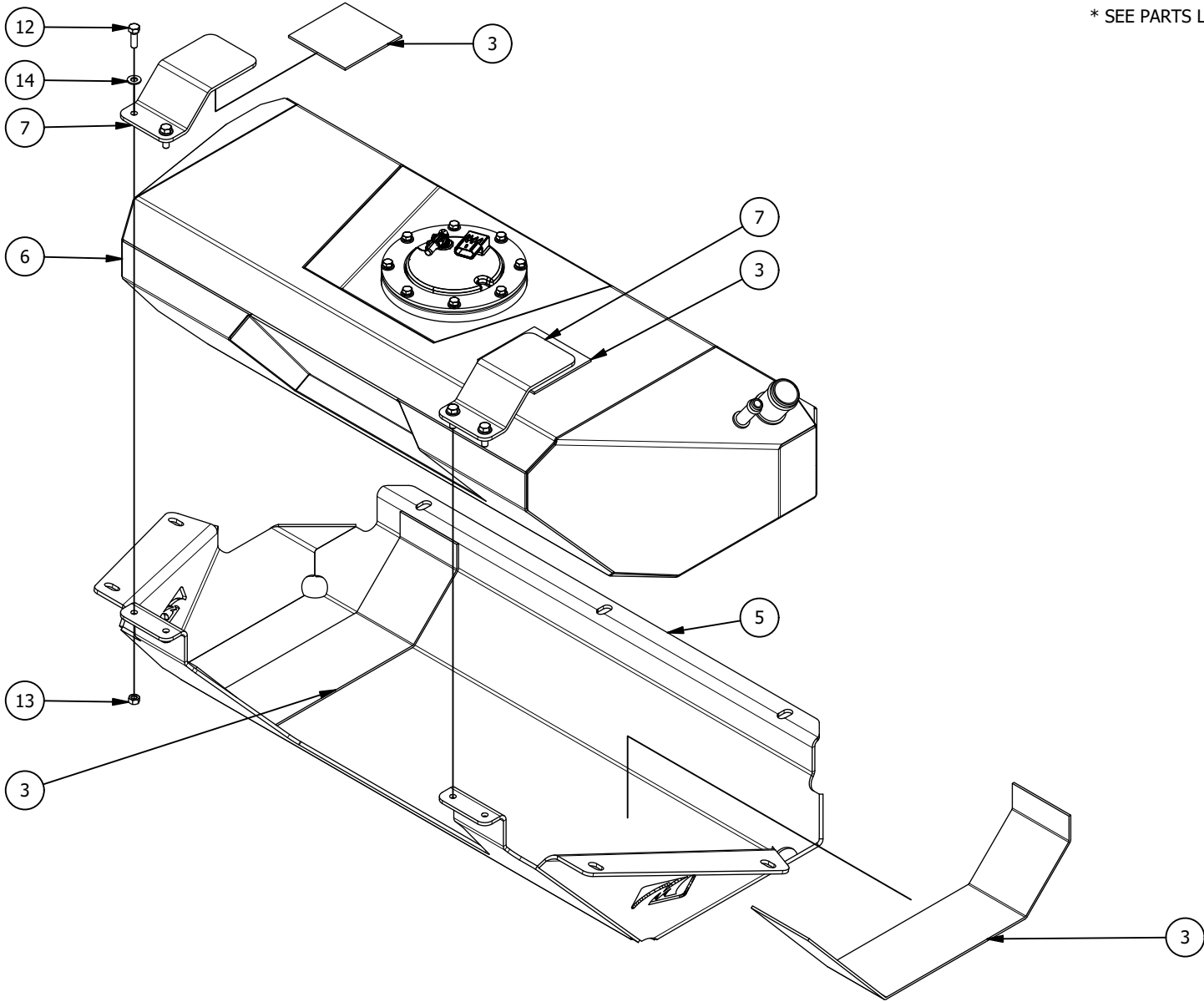
**Jeep JK Fuel Cell for Back Half Kit**

Sheet No: **3** of **6**

Rev No:

Mat'l:

\* SEE PARTS LIST ON SHEET 1 OF 6



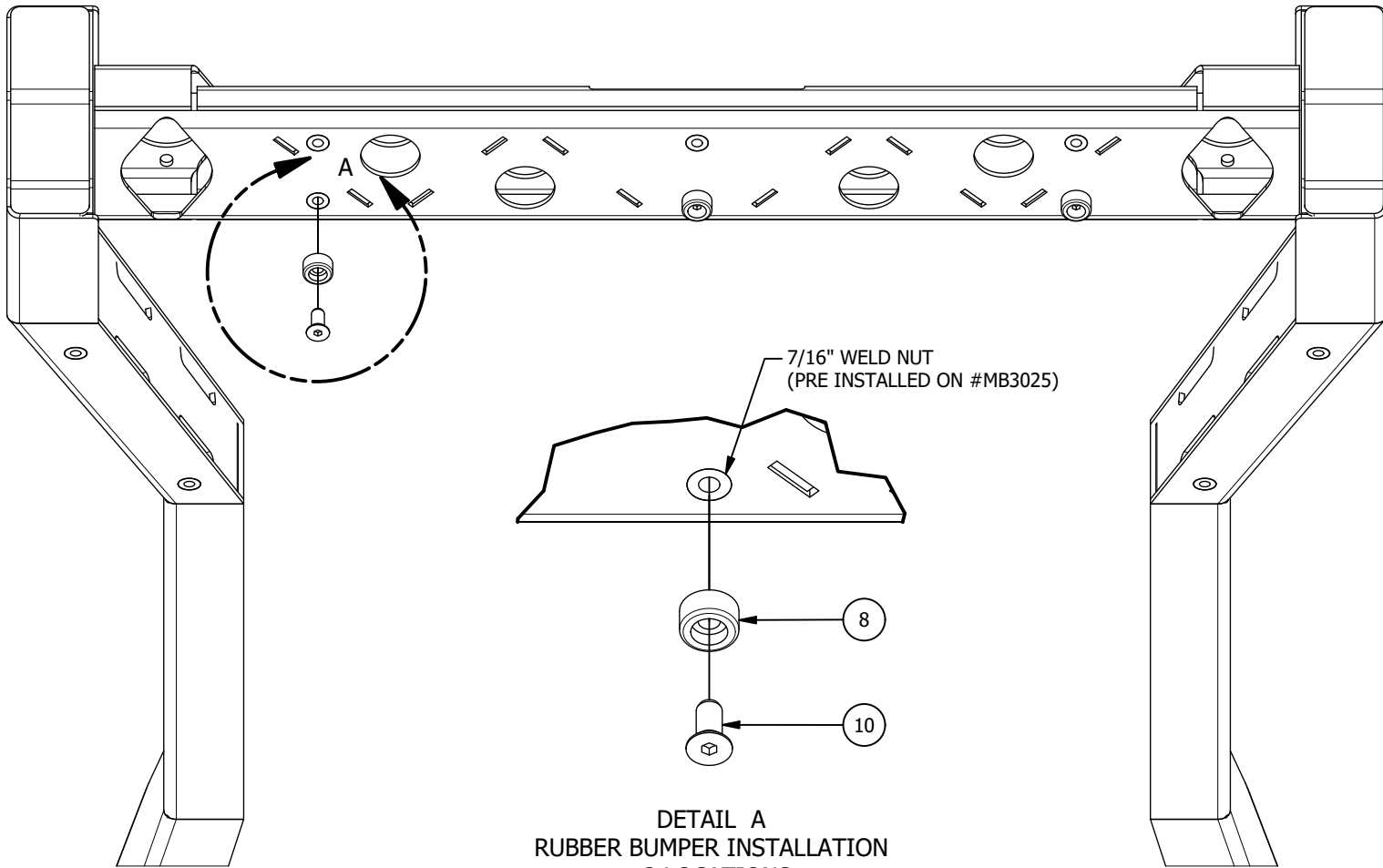
ASSEMBLE FUEL CELL  
WITH STEEL SKID



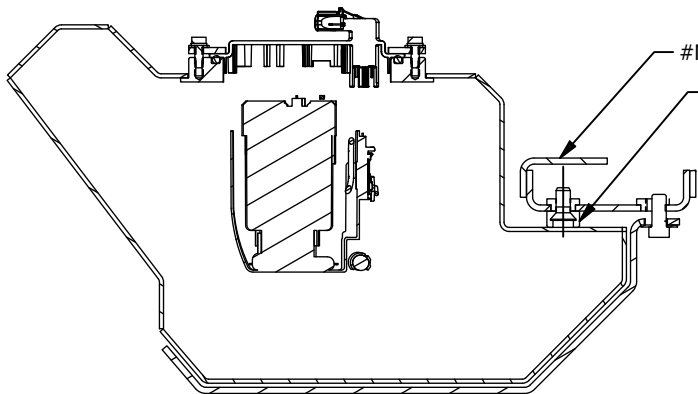
Dwg/Part No:  
**MB5013 - Assembly**  
Description:  
**Jeep JK Fuel Cell for Back Half Kit**

Sheet No: **4** of **6**  
Rev No:

Mat'l:



DETAIL A  
RUBBER BUMPER INSTALLATION  
x3 LOCATIONS



#MB3025  
RUBBER BUMPER TO CONTACT  
ALUMINUM FUEL CELL TO  
PREVENT MOVEMENT AND VIBRATION

**INSTALLING RUBBER BUMPERS ON  
JK/JKU BACK HALF KIT**

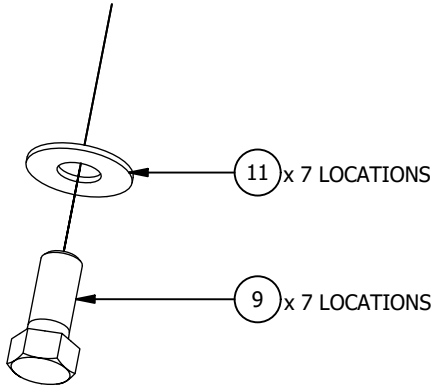
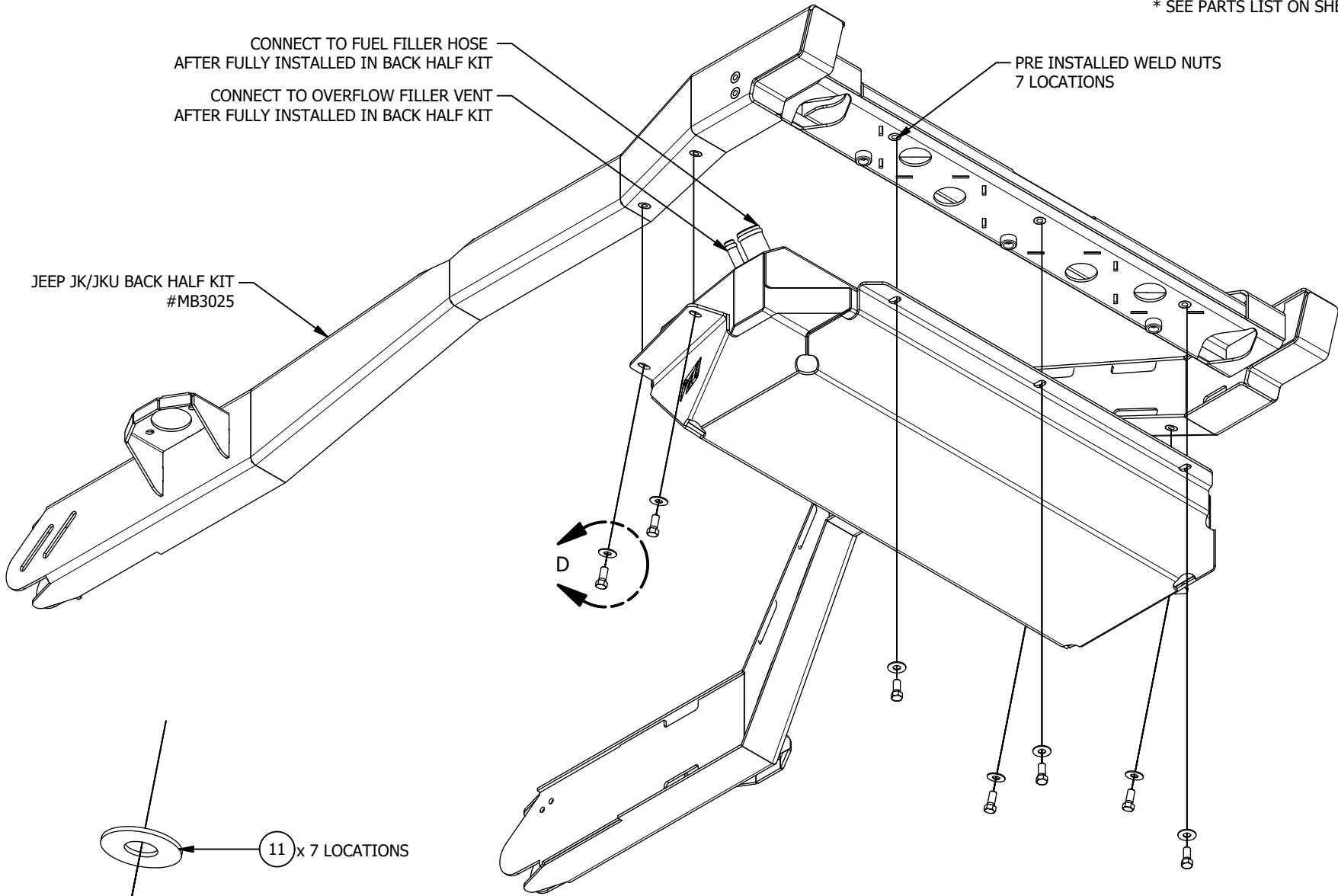


Dwg/Part No:  
**MB5013 - Assembly**  
Description:  
**Jeep JK Fuel Cell for Back Half Kit**

Sheet No: **5** of **6**  
Rev No:

Mat'l:

\* SEE PARTS LIST ON SHEET 1 OF 6



DETAIL D

TANK INSTALLATION



Dwg/Part No:  
**MB5013 - Assembly**

Description:  
**Jeep JK Fuel Cell for Back Half Kit**

Mat'l:

Sheet No: **6** of **6**  
Rev No: