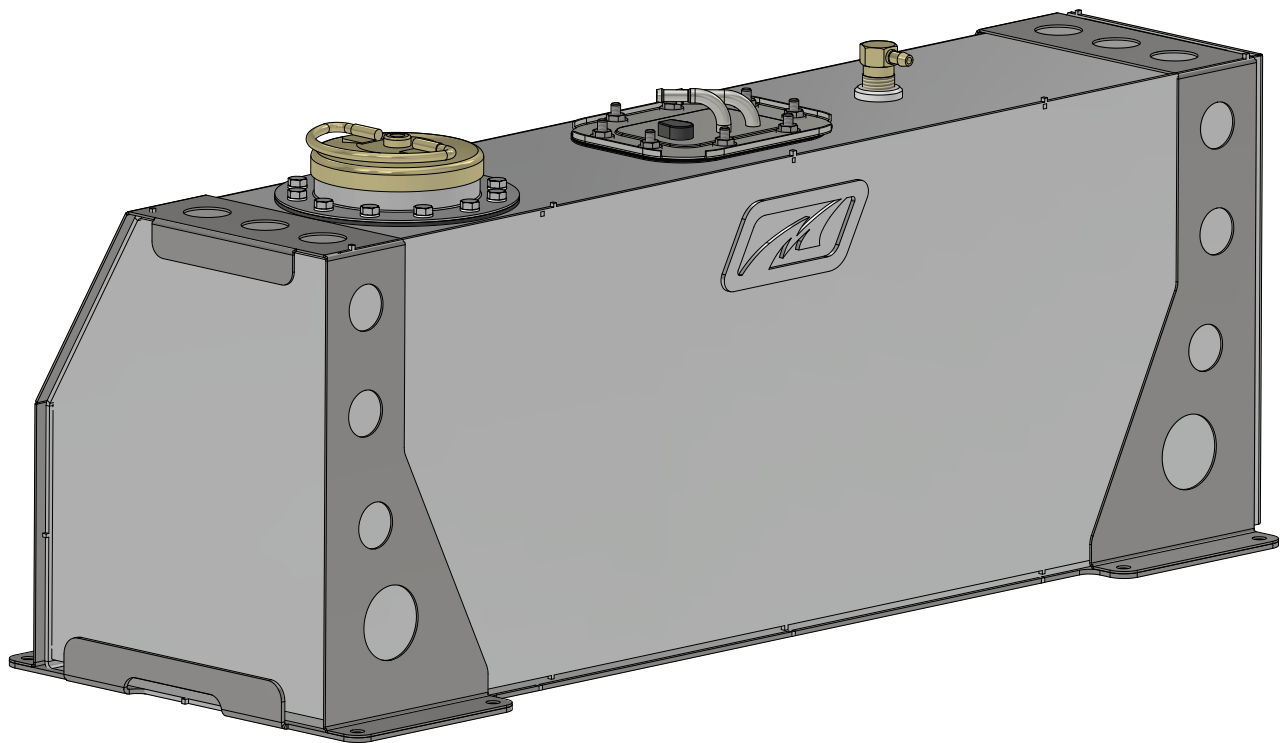
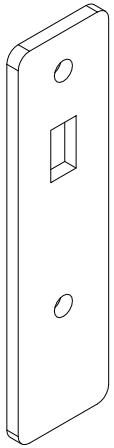


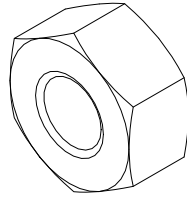
MB5000-YJ - Assembly Instructions Jeep YJ Bed Fuel Cell**MB5000 - BED FUEL CELL
W/ PUMP CUT OUT FOR JEEP YJ****ASSEMBLY INSTRUCTIONS**

MB5000-YJ - Shipping Jeep YJ Bed Fuel Cell

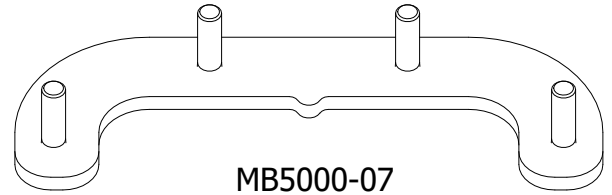
CONTENTS



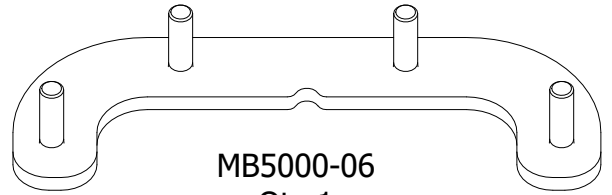
MB5000-10
Qty 1



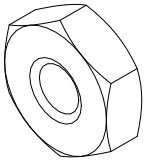
1/4"-28 NYLOCK
HEX NUT
Qty 8



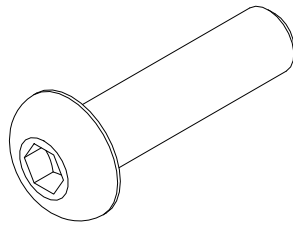
MB5000-07
Qty 1



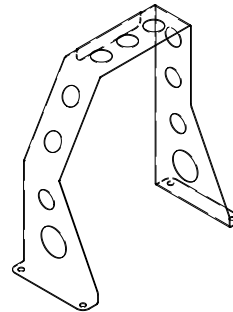
MB5000-06
Qty 1



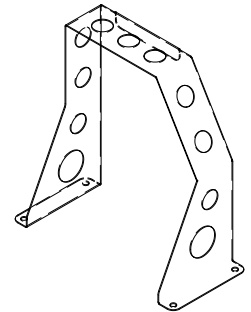
#10-24 HEX NUT
Qty 1



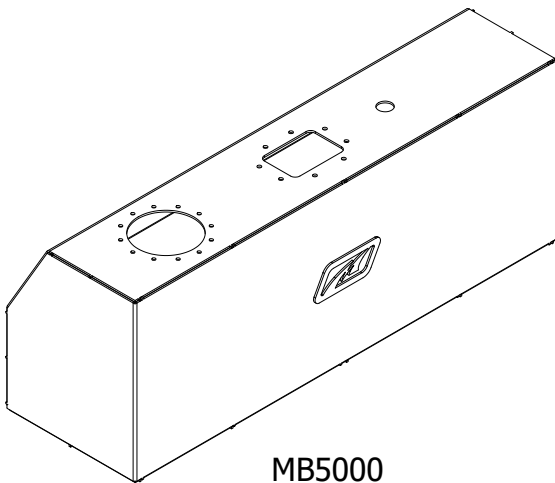
10-24 x 3/4"
SOCKET CAP SCREW



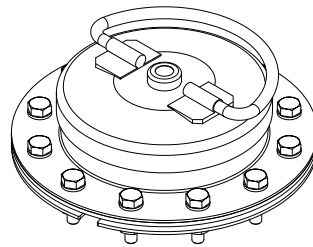
MB5000-08
Qty 1



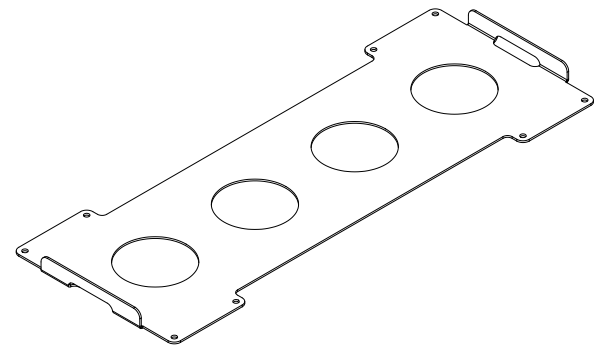
MB5000-08_MIR
Qty 1



MB5000
Qty 1



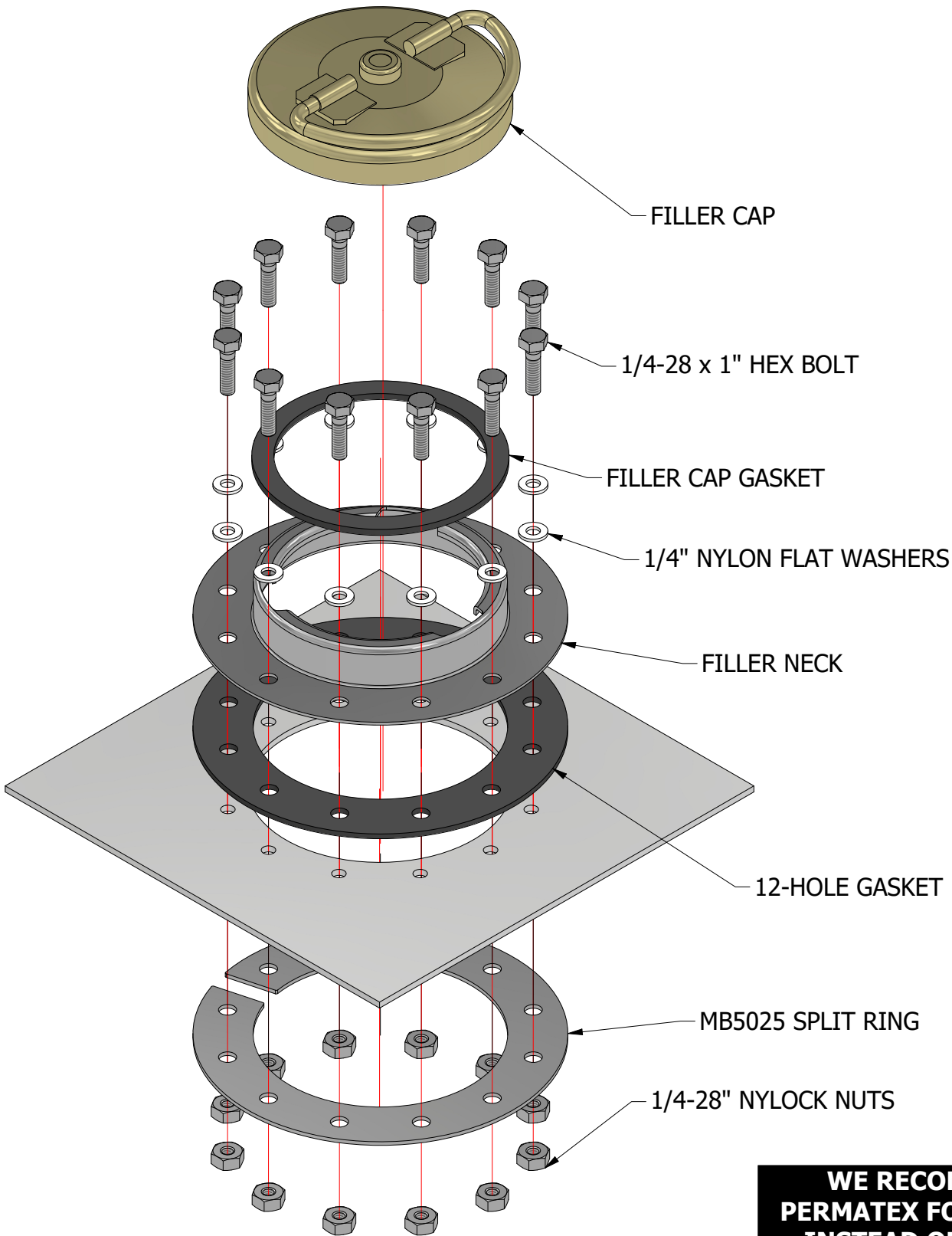
MB5036
Qty 1



MB5000-09
Qty 1

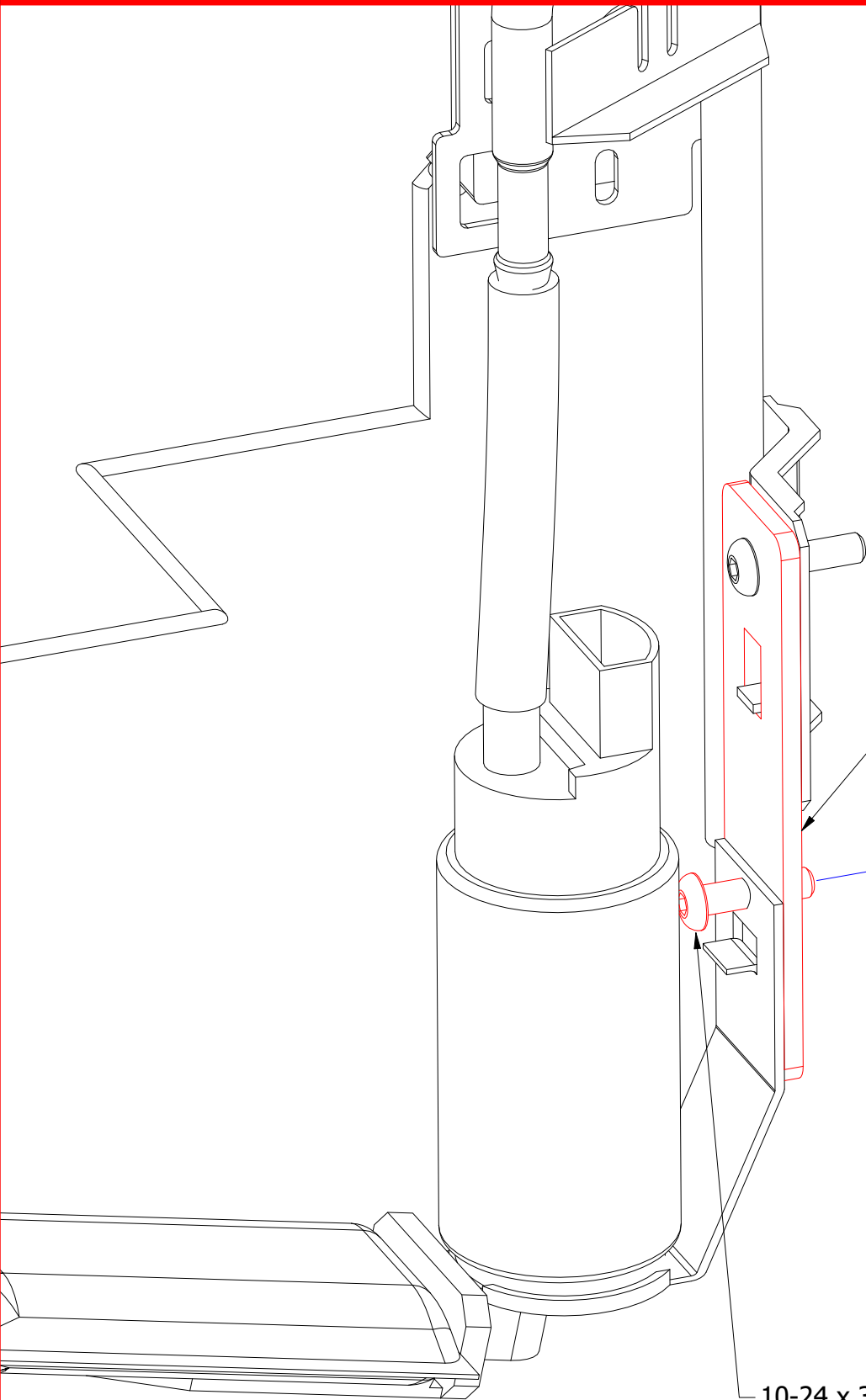
MB5036 Filler Neck & Cap Ass'y

MB5036 - FILLER CAP ASSEMBLY



**WE RECOMMEND USING
PERMATEX FORM-A-GASKET #2
INSTEAD OF THE INCLUDED
GASKET**

MB5000-YJ - Assembly Instructions Jeep YJ Bed Fuel Cell



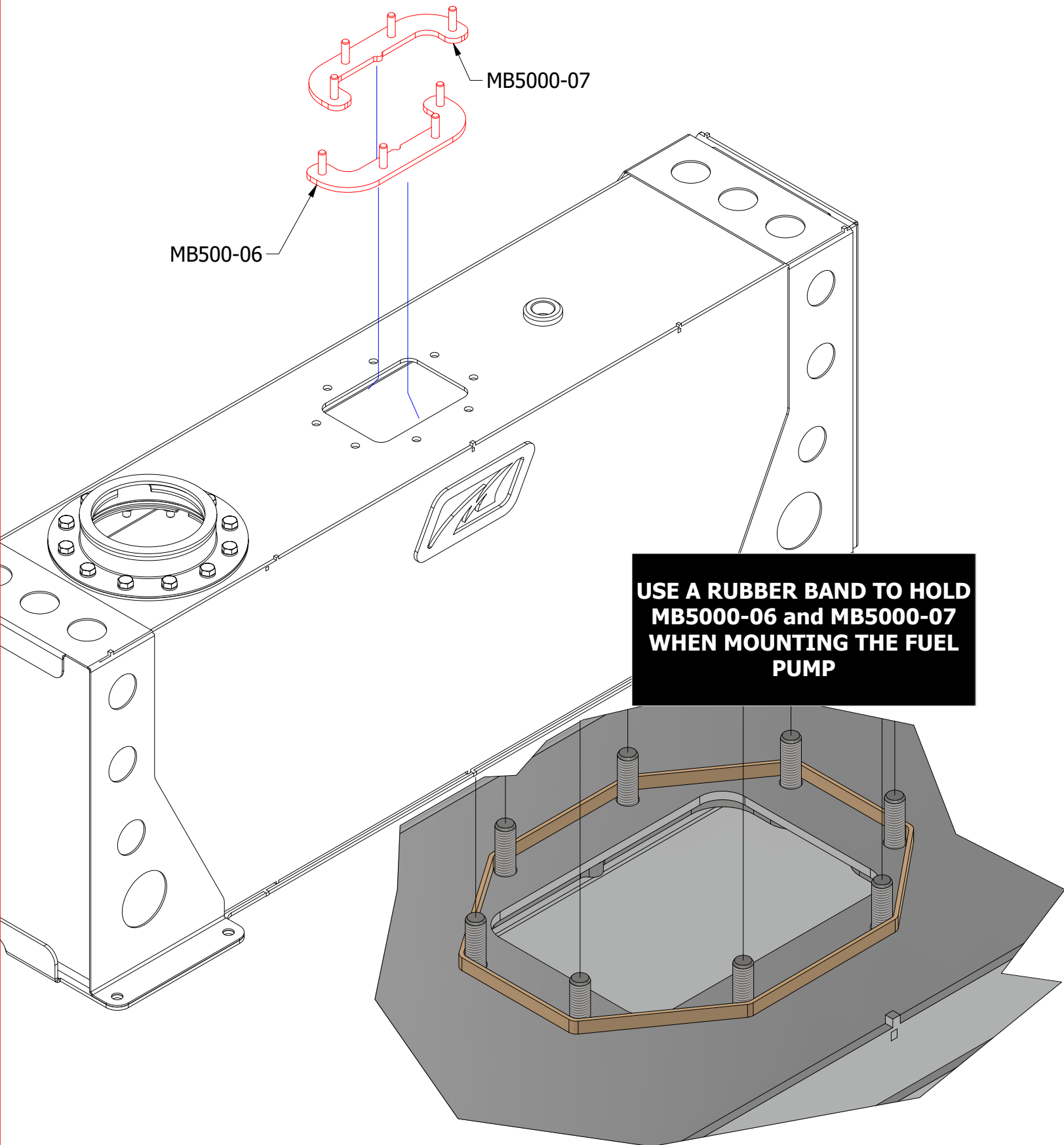
MB5000-10 IS INCLUDED TO EXTEND THE STOCK FUEL PUMP TO THE BOTTOM OF THE TANK. NO OTHER EXTENSION HARDWARE IS INCLUDED

MB5000-10

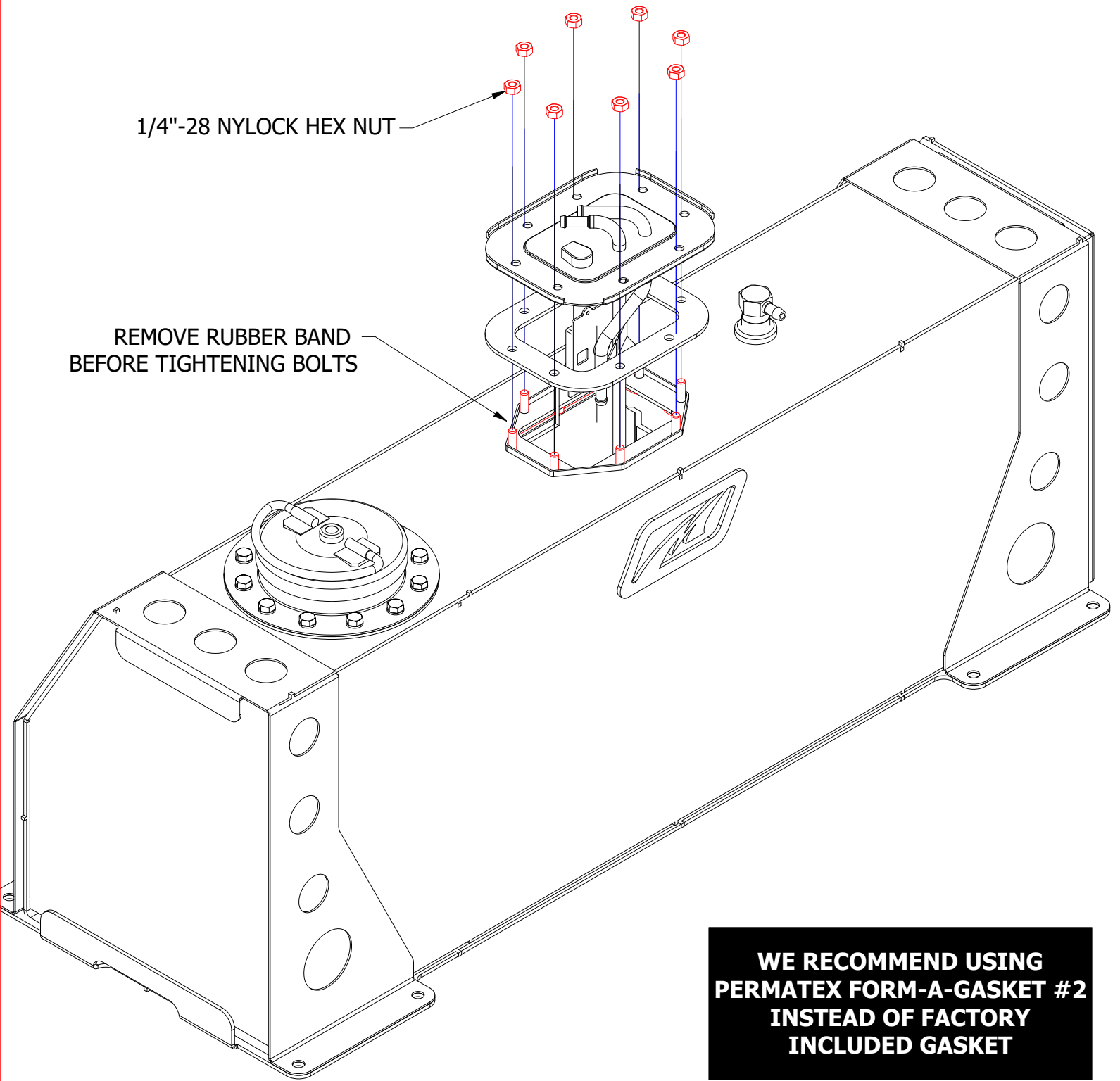
#10-24 HEX NUT

10-24 x 3/4" SOCKET CAP SCREW

MB5000-YJ - Assembly Instructions Jeep YJ Bed Fuel Cell



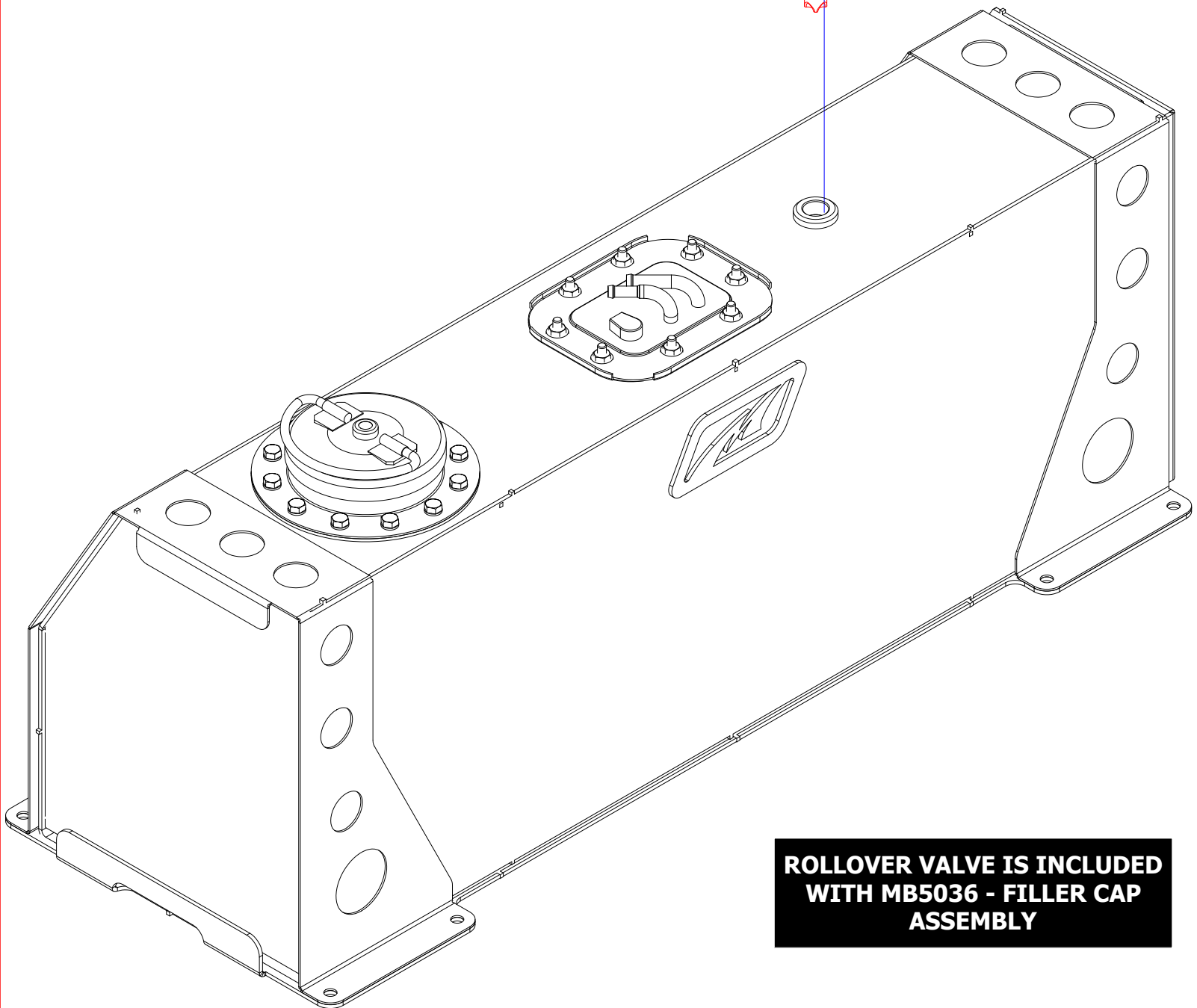
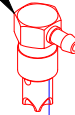
MB5000-YJ - Assembly Instructions Jeep YJ Bed Fuel Cell



**WE RECOMMEND USING
PERMATEX FORM-A-GASKET #2
INSTEAD OF FACTORY
INCLUDED GASKET**

MB5000-YJ - Assembly Instructions Jeep YJ Bed Fuel Cell

Rollover Valve



**ROLLOVER VALVE IS INCLUDED
WITH MB5036 - FILLER CAP
ASSEMBLY**