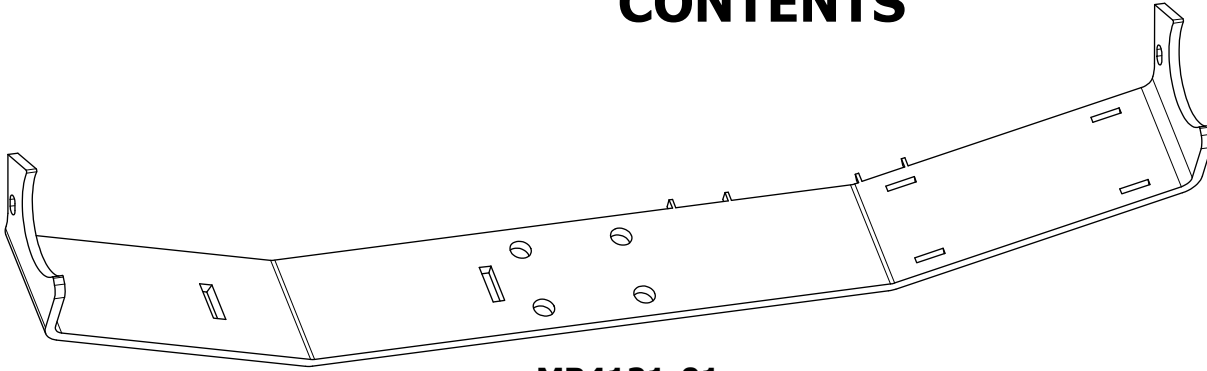
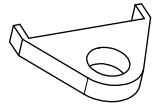


MB4121 Axle Truss, ECGS Front Dana 80

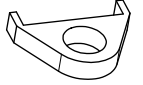
CONTENTS



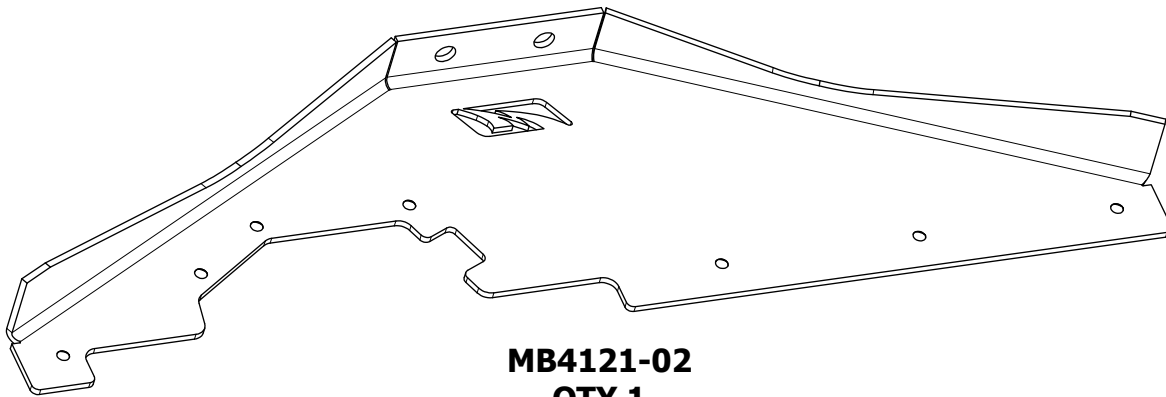
**MB4121-01
QTY 1**



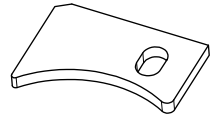
**MB4121-10
QTY 1**



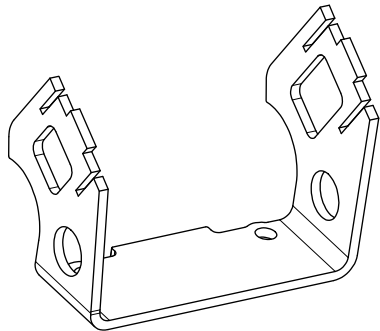
**MB4121-11
QTY 1**



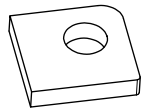
**MB4121-02
QTY 1**



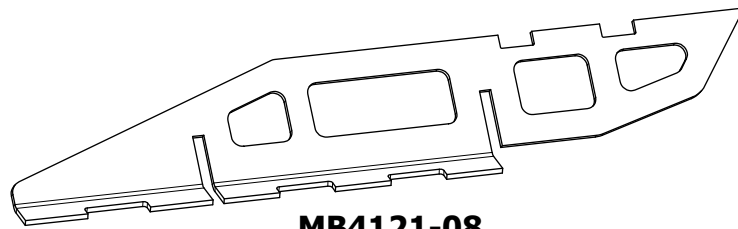
**MB4121-12
QTY 2**



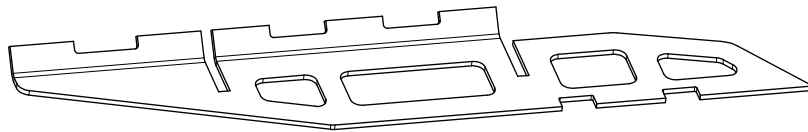
**MB4121-03
QTY 1**



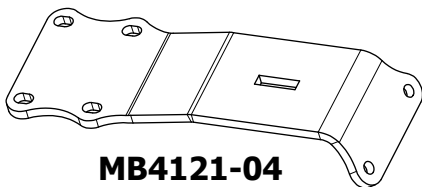
**MB4121-13
QTY 2**



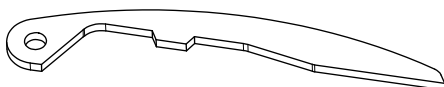
**MB4121-08
QTY 1**



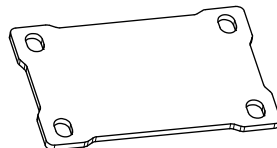
**MB4121-08_MIR
QTY 1**



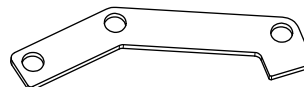
**MB4121-04
QTY 1**



**MB4121-05
QTY 1**



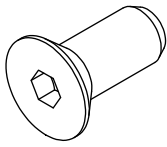
**MB4121-06
QTY 1**



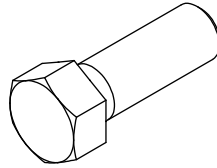
**MB4121-07
QTY 1**



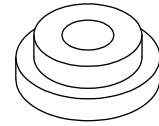
**MB4121-09
QTY 2**

MB4121 Axle Truss, ECGS Front Dana 80**CONTENTS**

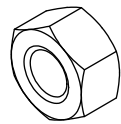
COUNTERSUNK SCREW
7/16"-14 x 1" LONG
QTY 8



HEX BOLT
7/16"-14 x 1-1/4" LONG
QTY 10



WELD NUT
7/16"-14
QTY 10

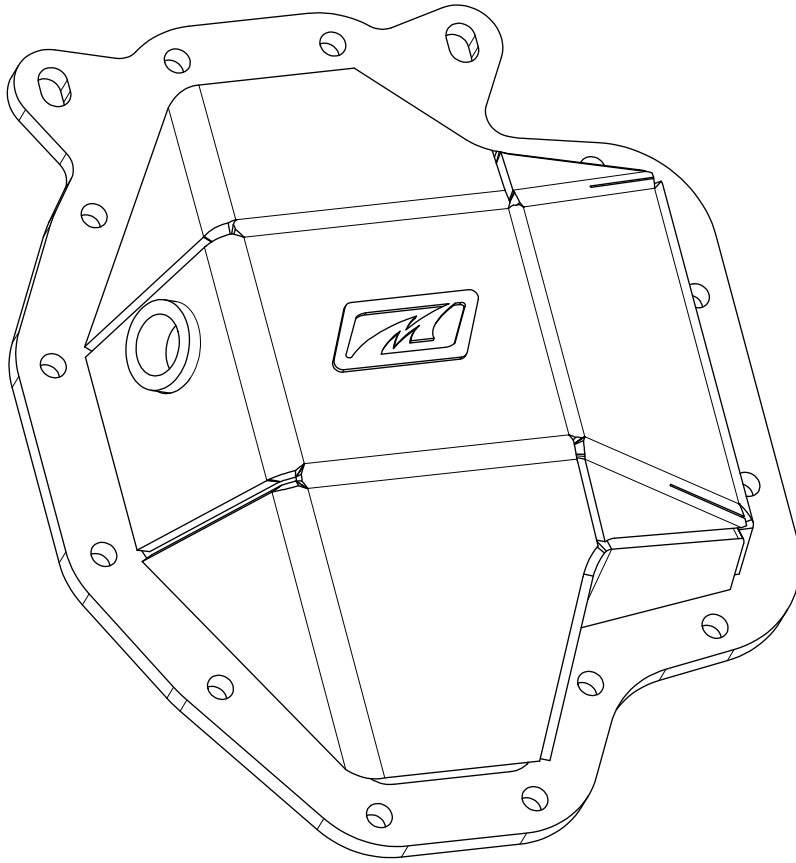


NYLOCK NUT
7/16"-14
QTY 2

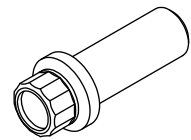


FLAT WASHER
7/16"
QTY 12

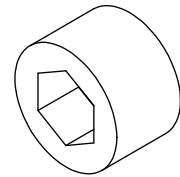
MB4121 Axle Truss, ECGS Front Dana 80

CONTENTS

**MB4125
ECGS D80 DIFF COVER FOR MB4121
QTY 1**



**12 POINT BOLT
3/8"-16 x 1" LONG
QTY 14**



**THREADED BUNG
FOR DIFF COVER
QTY 1**