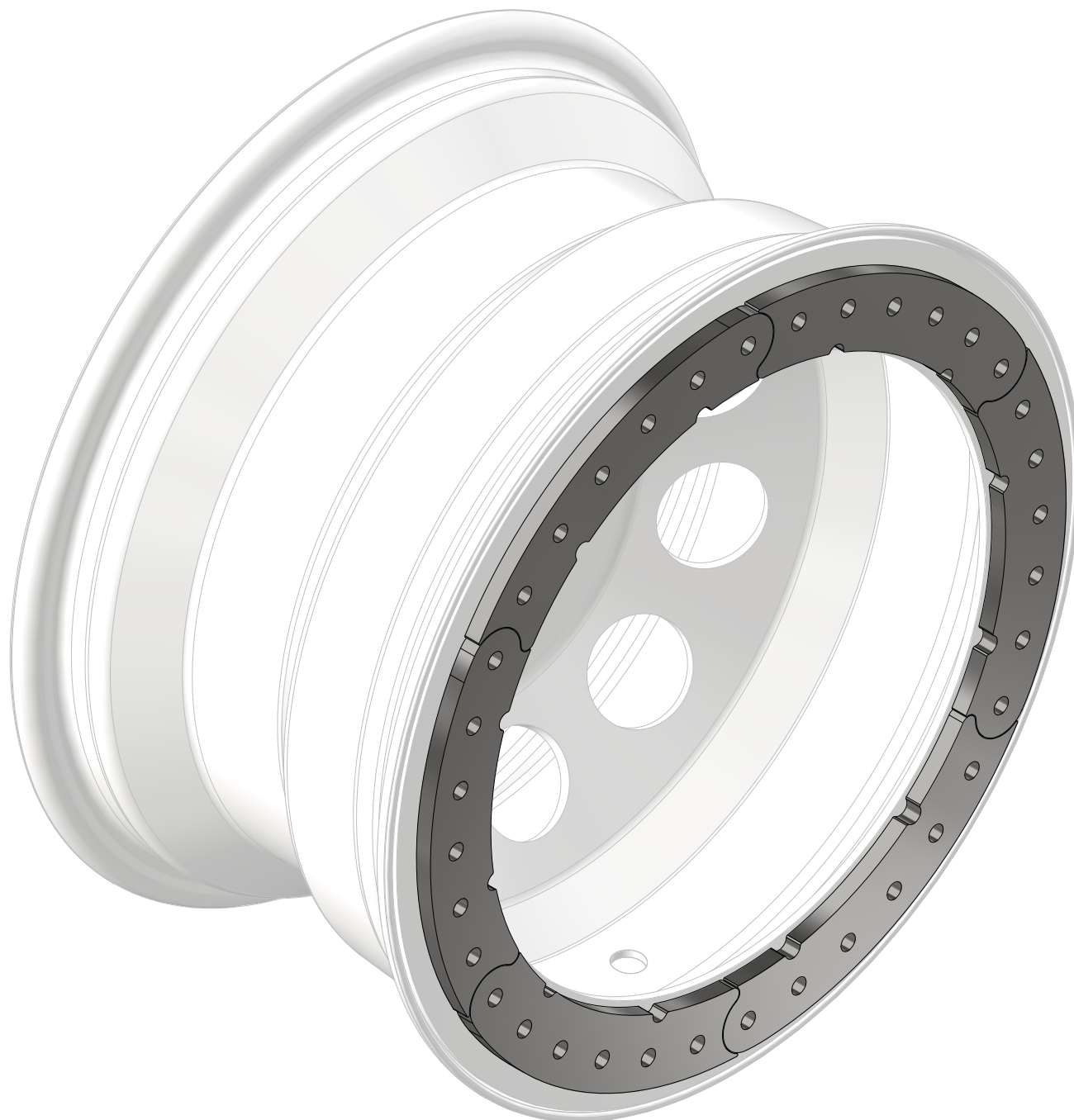
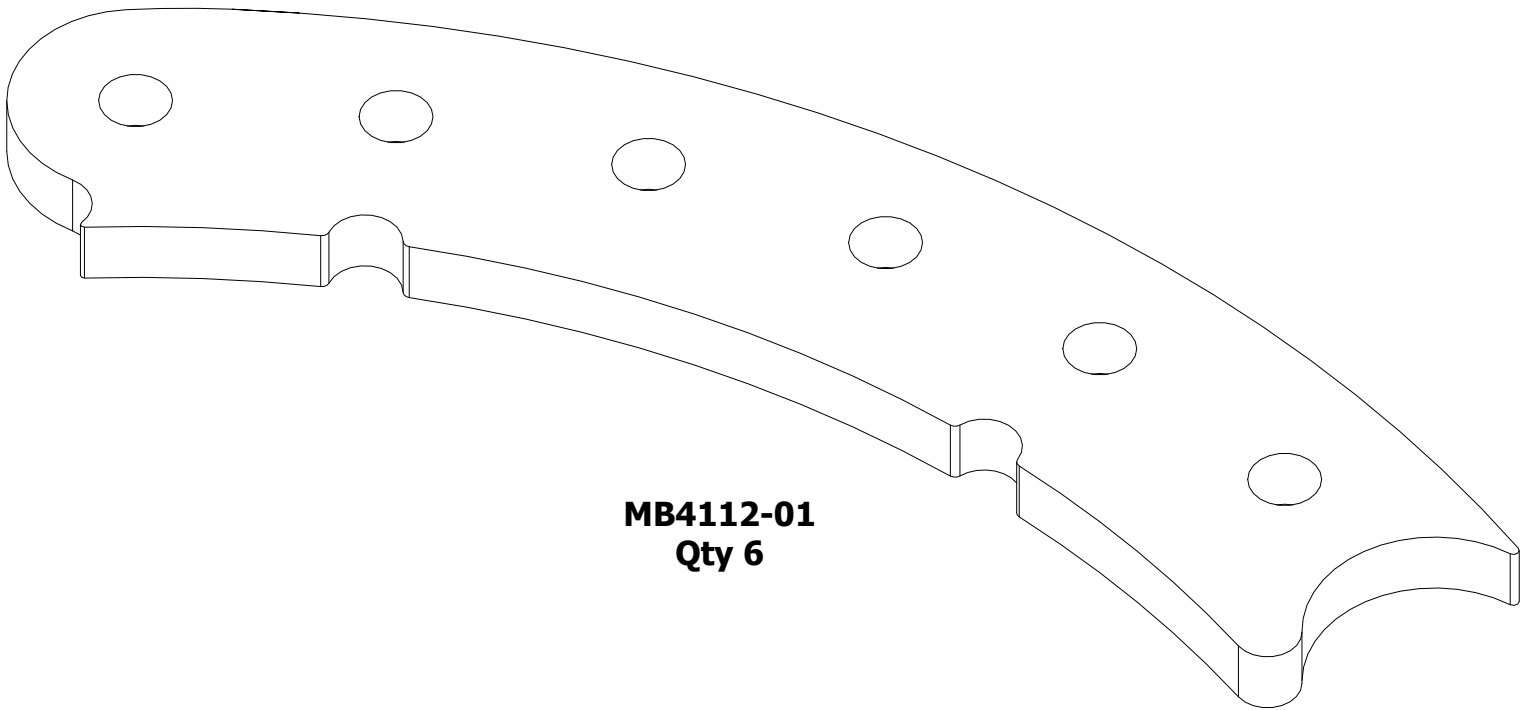


# MB4112 - 17" WHEEL BEADLOCK SPACER



## ASSEMBLY INSTRUCTIONS

# CONTENTS

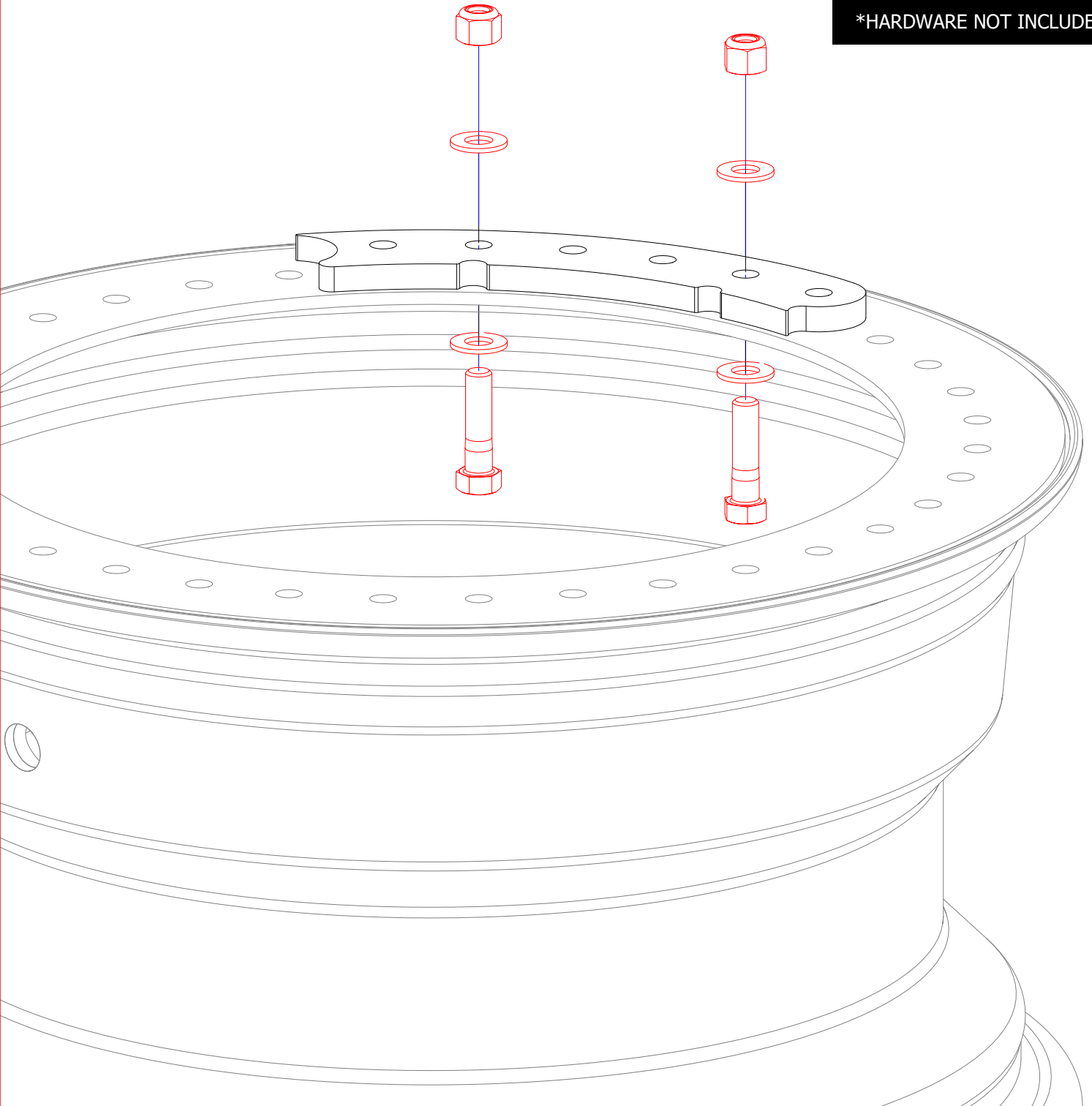


**MB4112-01**  
**Qty 6**

**MB4112 - Assembly Installation 17" Wheel Beadlock Spacer**

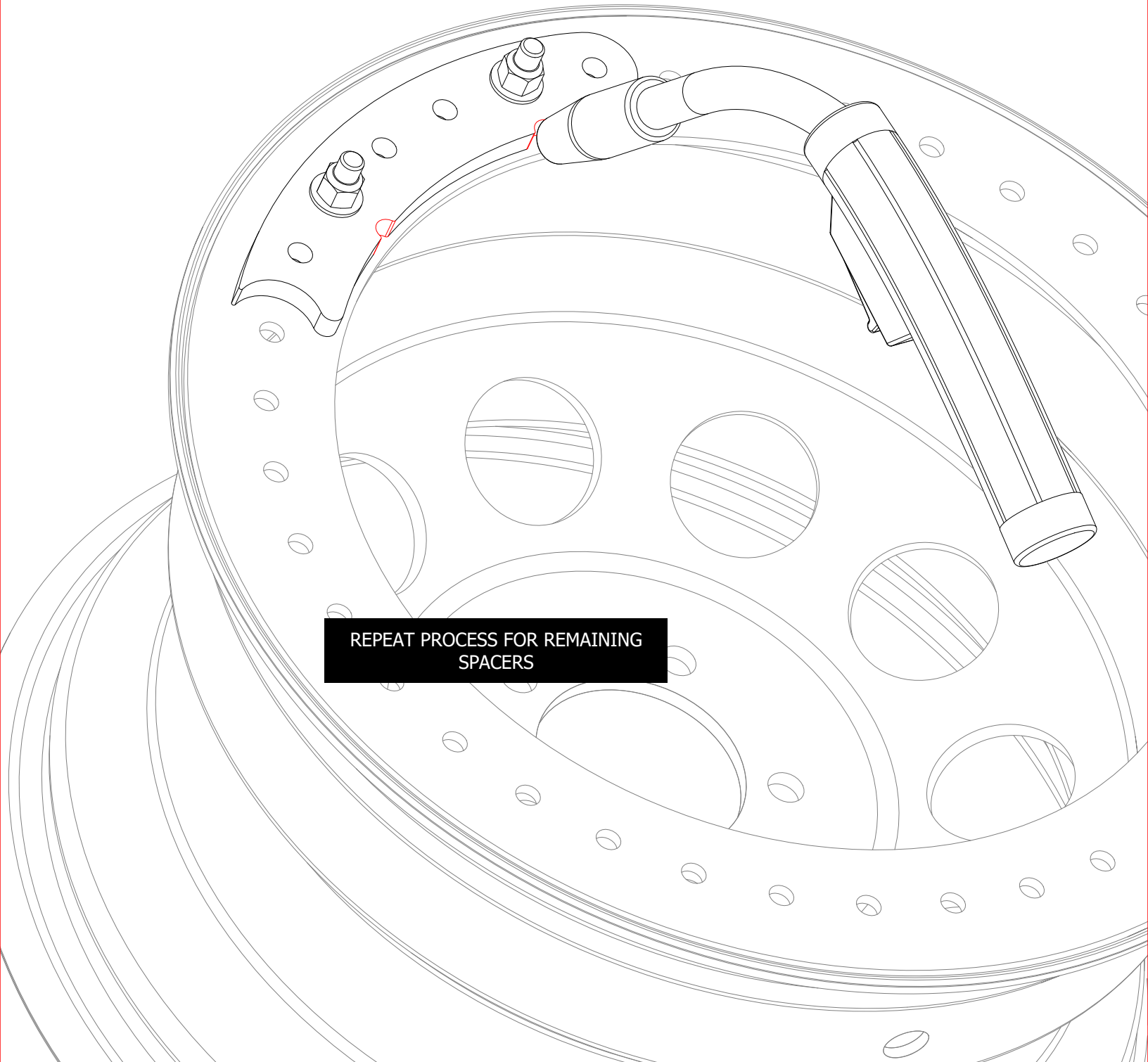
**Step 01**

ATTACH SPACER IN PLACE  
TEMPORARILY WITH HARDWARE  
  
\*HARDWARE NOT INCLUDED\*



**MB4112 - Assembly Installation 17" Wheel Beadlock Spacer****Step 02**

TACK WELD SPACER IN PLACE USING  
THE PROVIDED WELD SPOTS



REPEAT PROCESS FOR REMAINING  
SPACERS

**MB4112 - Assembly Installation 17" Wheel Beadlock Spacer**

**Step 03**

**\*HARDWARE NOT INCLUDED\***

