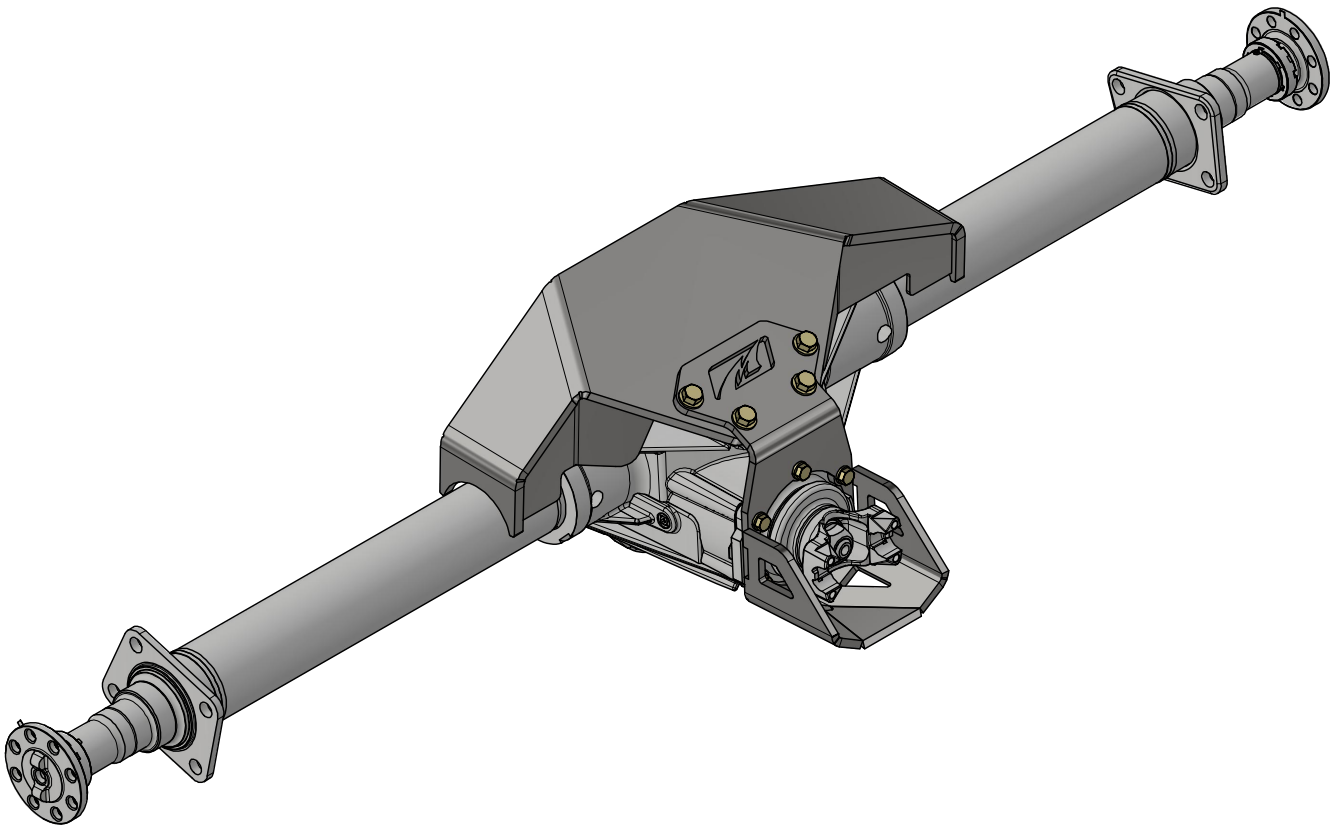


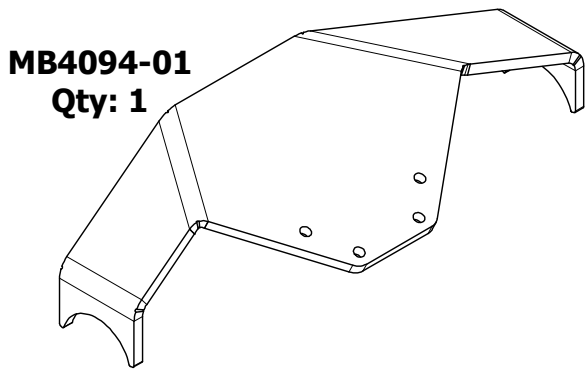
FUSION 14 BOLT TRAIL TRUSS



ASSEMBLY INSTRUCTIONS

MB4094 - Assembly Instructions Fusion 14 Bolt Trail Truss, 4" Axle Tube

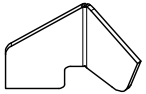
KIT COMPONENTS



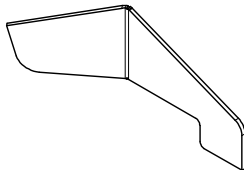
MB4094-01
Qty: 1



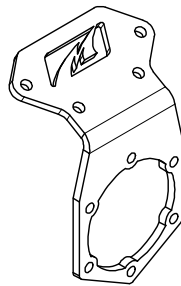
MB4094-02
Qty: 1



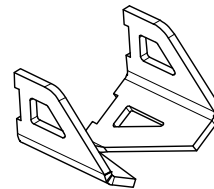
MB4094-04
Qty: 1



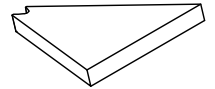
MB4094-03
Qty: 1



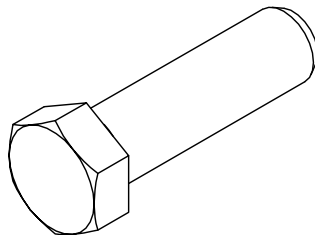
MB4094-05
Qty: 1



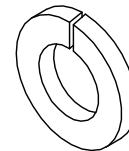
MB4094-06
Qty: 1



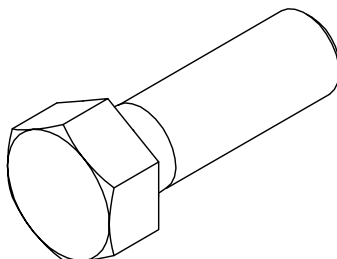
MB4094-07
Qty: 1



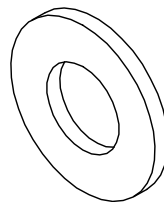
HEX BOLT
7/16"-14 x 1-1/2" GR8
Qty: 6



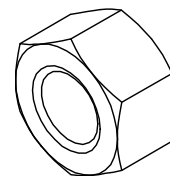
HELICAL LOCK WASHER
7/16"
Qty: 6



HEX BOLT
1/2"-13 x 1-1/2" GR8
Qty: 4



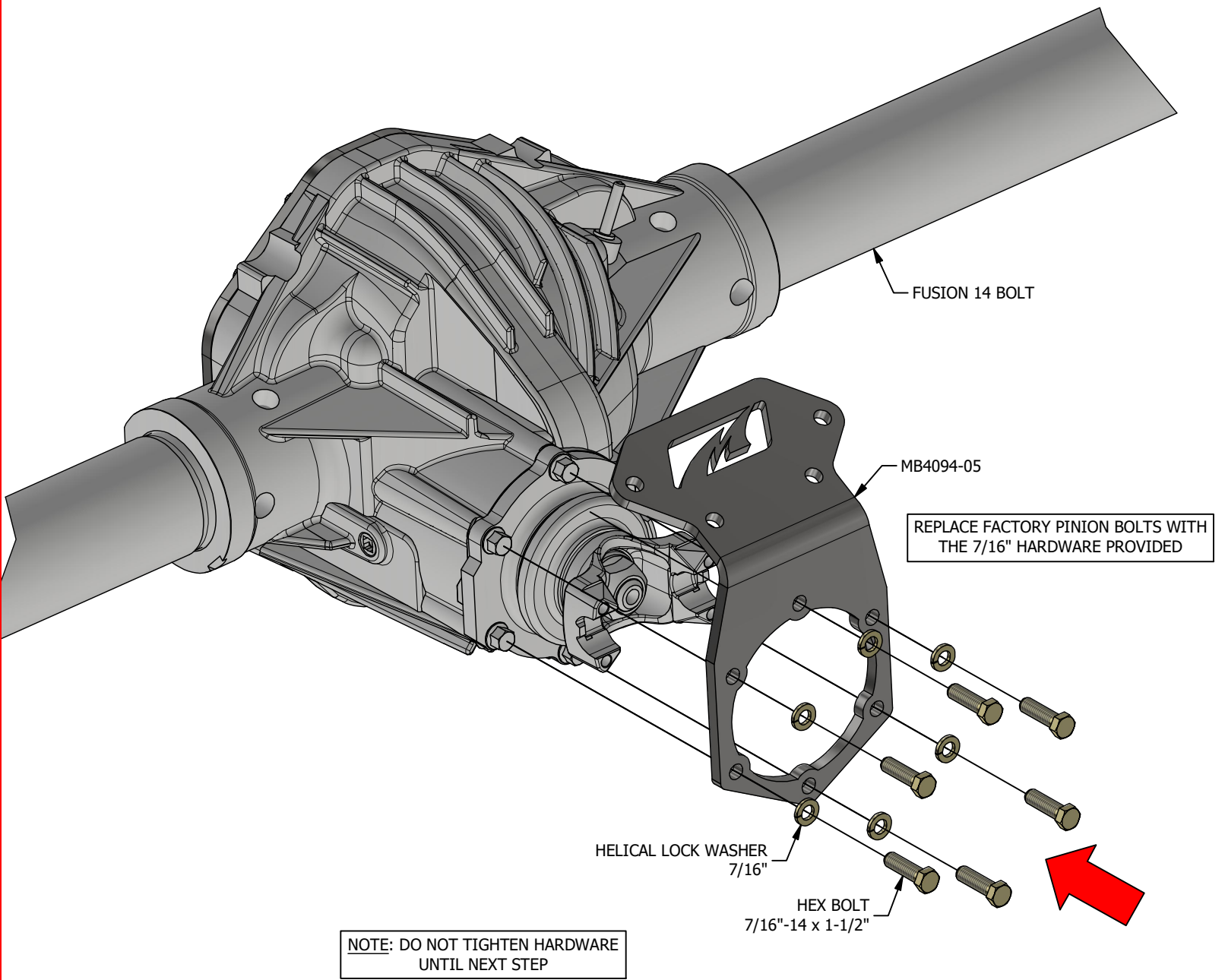
FLAT WASHER
1/2"
Qty: 4



NYLOCK NUT
1/2"-13
Qty: 4

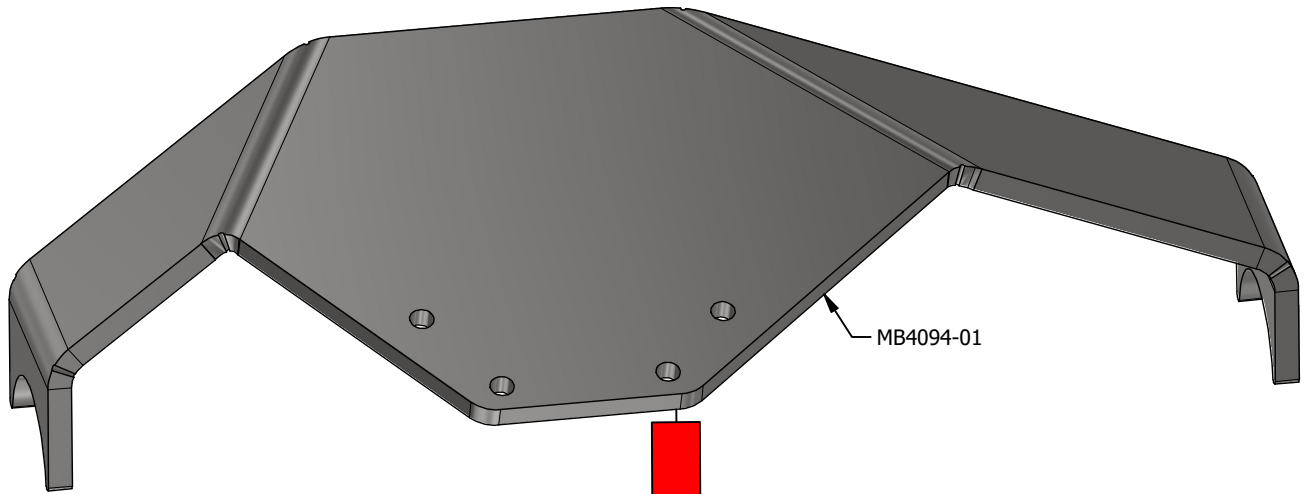
MB4094 - Assembly Instructions Fusion 14 Bolt Trail Truss, 4" Axle Tube

PINION MOUNT

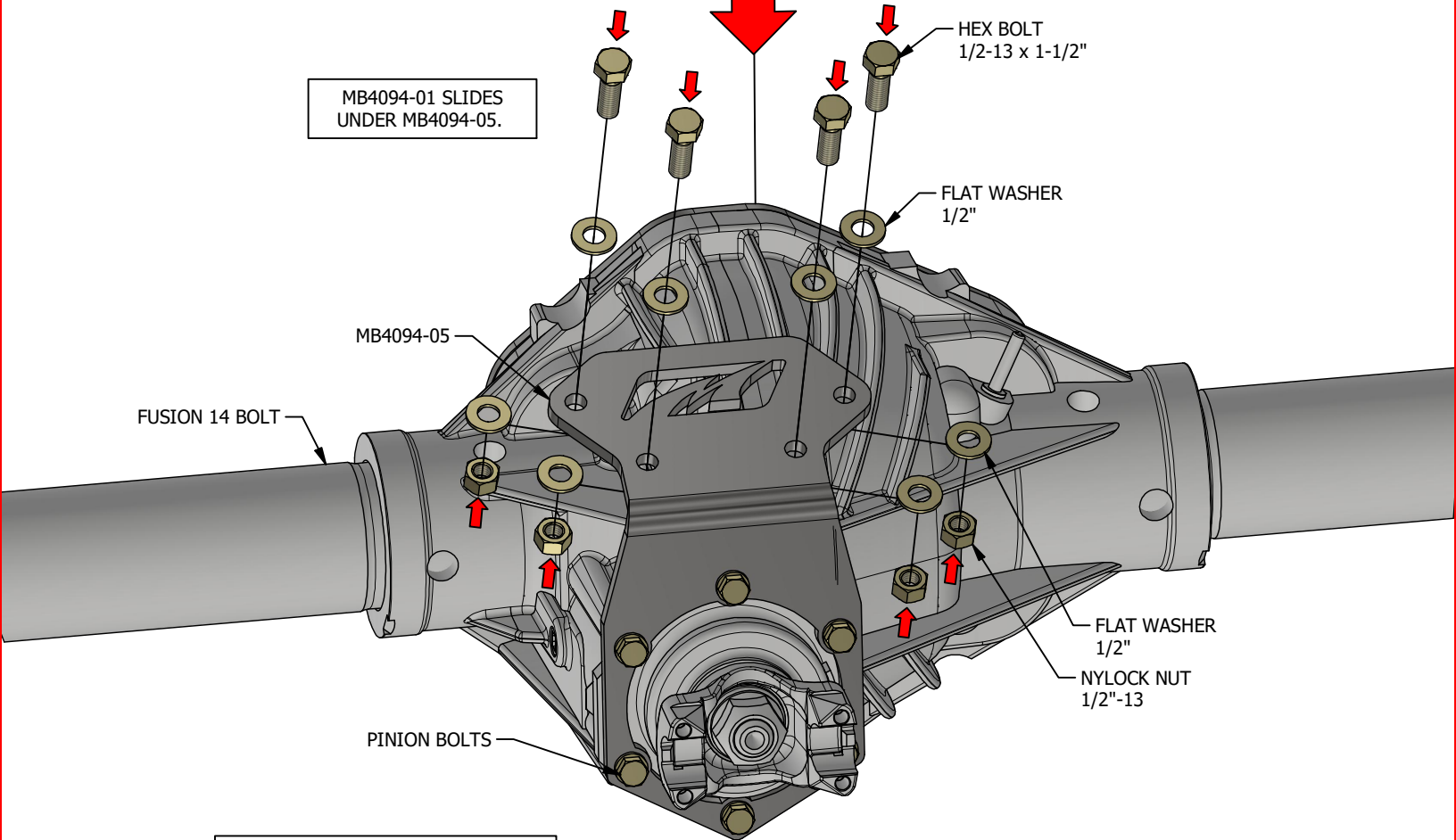


MB4094 - Assembly Instructions Fusion 14 Bolt Trail Truss, 4" Axle Tube

TRUSS BASE



MB4094-01 SLIDES UNDER MB4094-05.

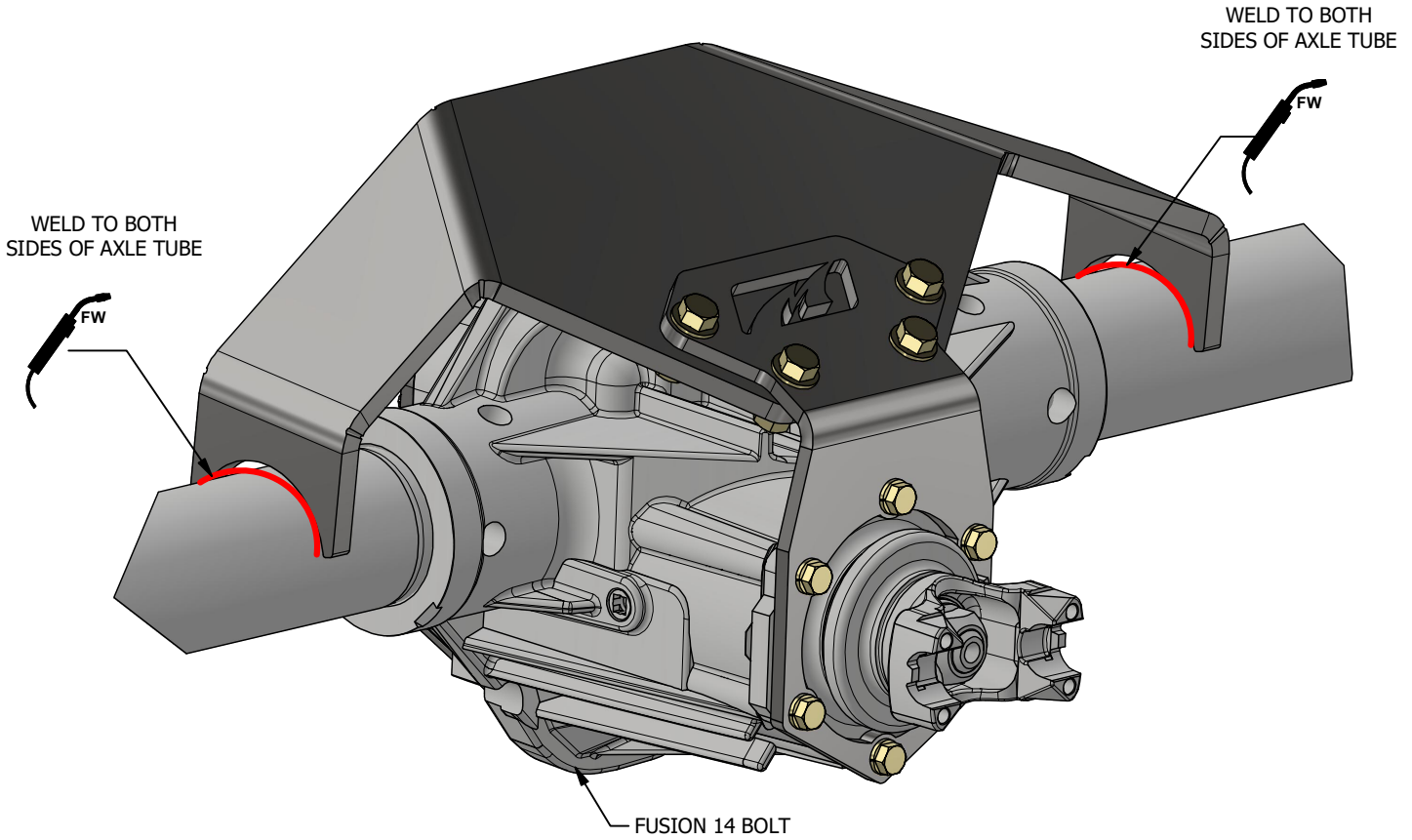


TIGHTEN PINION BOLTS AFTER THE INSTALLATION OF THE MB4094-01

MB4094 - Assembly Instructions Fusion 14 Bolt Trail Truss, 4" Axle Tube

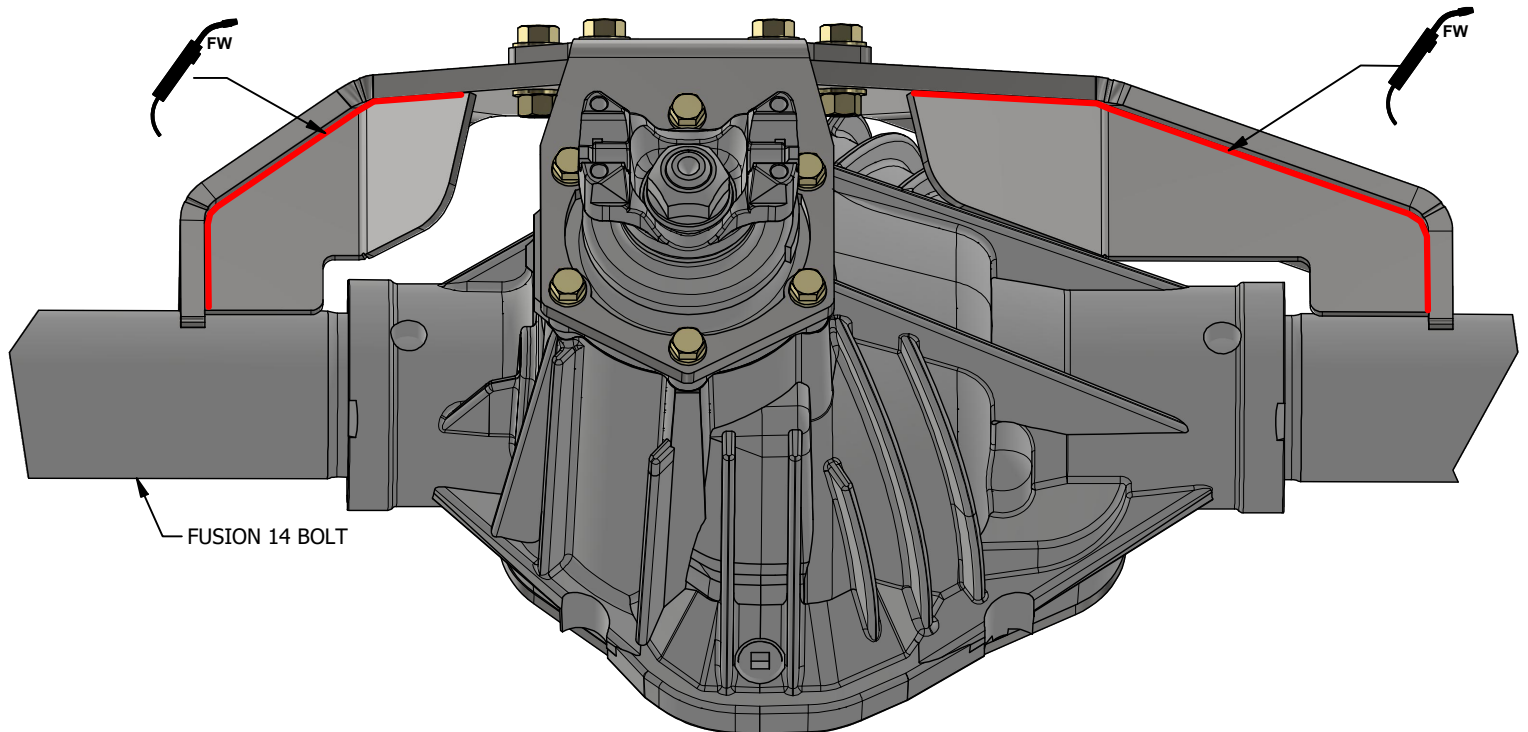
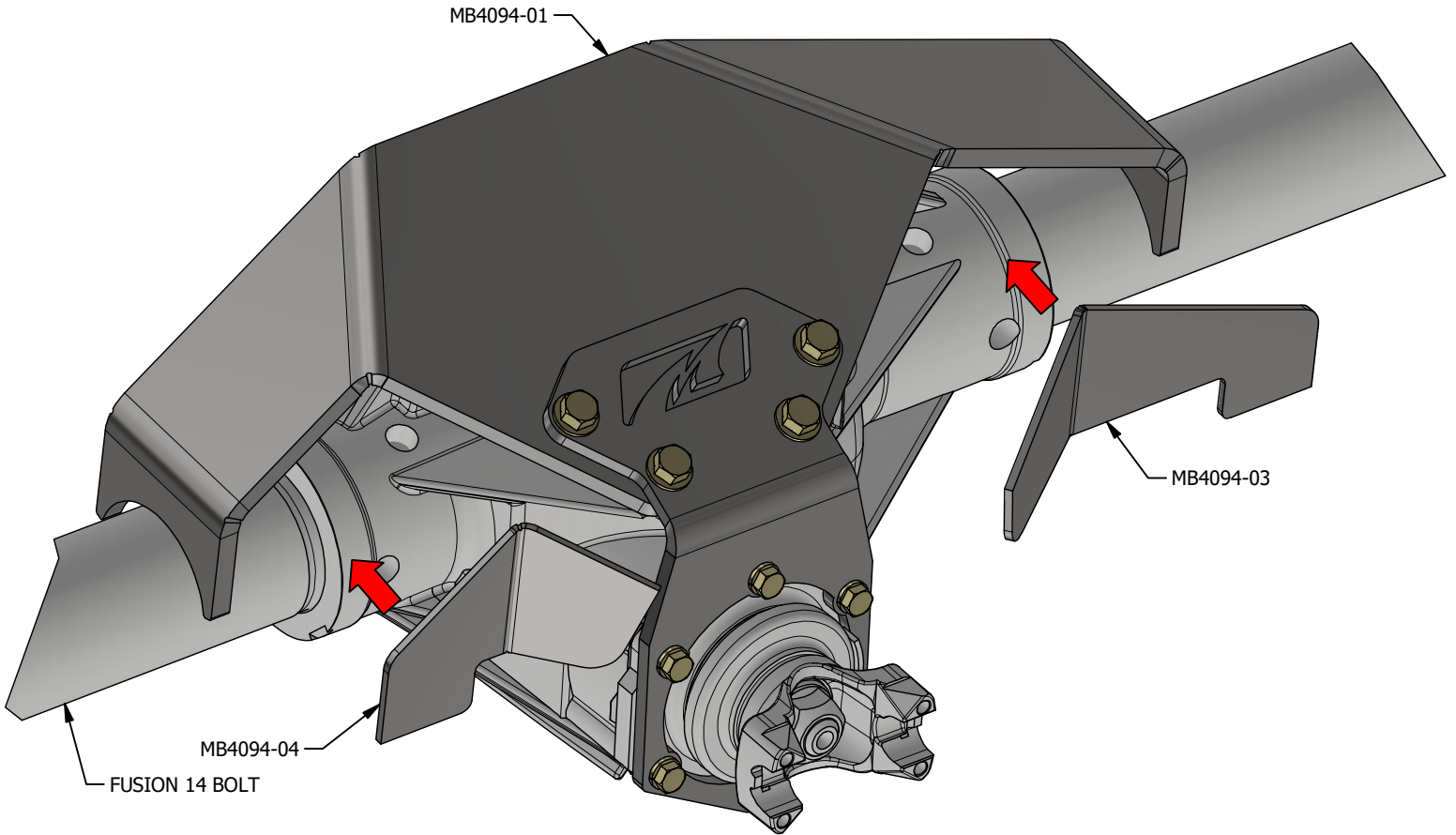
TRUSS BASE WELD

CONFIRM MB4094-01, MB4094-01, AND
MB4094-01 FIT BEFORE WELDING



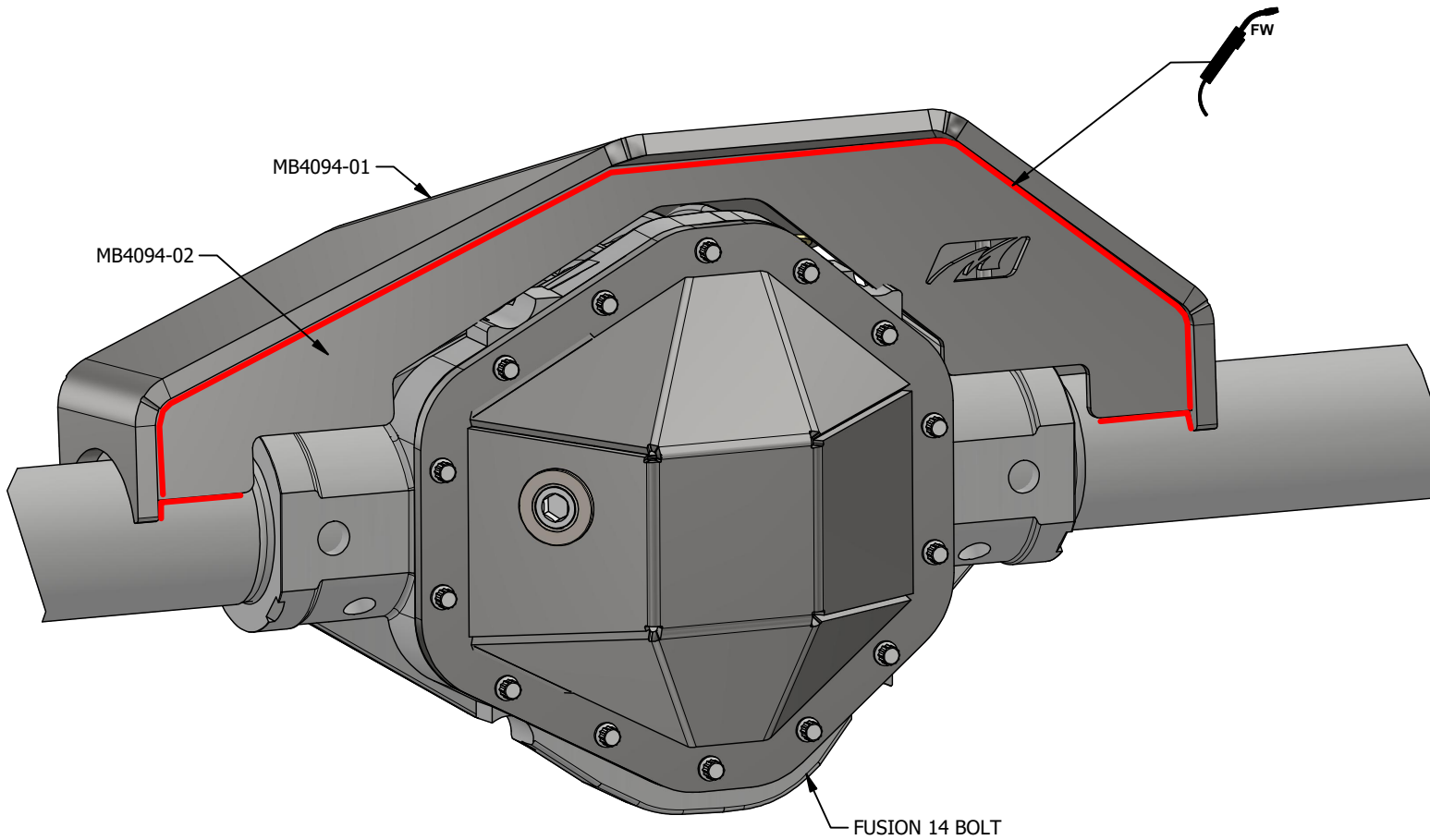
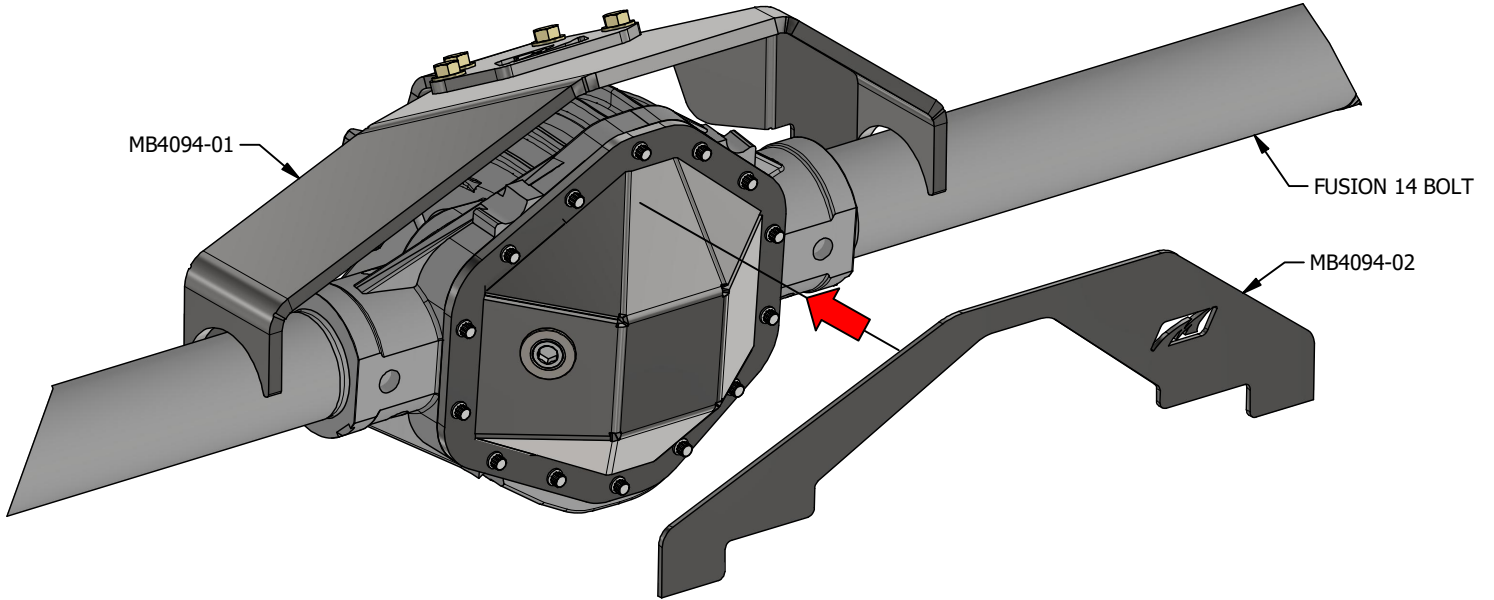
MB4094 - Assembly Instructions Fusion 14 Bolt Trail Truss, 4" Axle Tube

FRONT GUSSET PLATE



MB4094 - Assembly Instructions Fusion 14 Bolt Trail Truss, 4" Axle Tube

REAR GUSSET ASSEMBLY



MB4094 - Assembly Instructions Fusion 14 Bolt Trail Truss, 4" Axle Tube

PINION GUARD (OPTIONAL)

NOTE: IF YOU ARE USING THE FACTORY GAS TANK ON JK AND JL MODELS TEST FIT BEFORE INSTALLING.

