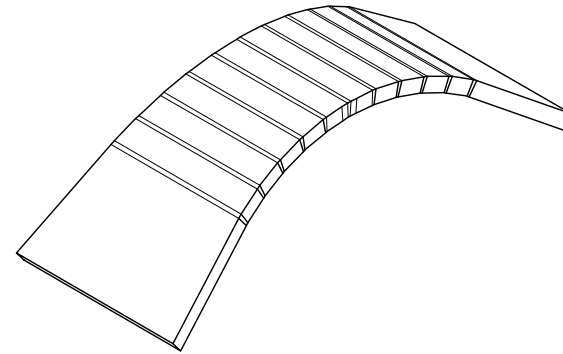
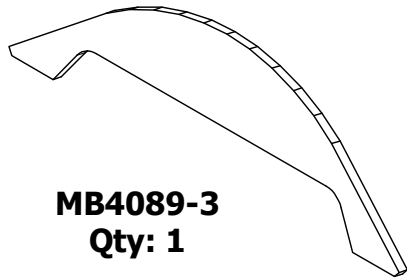


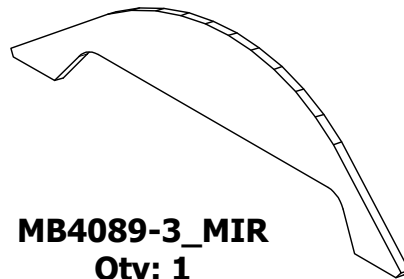
MB4089-1
Qty: 1



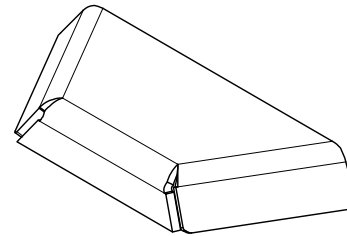
MB4089-2
Qty: 1



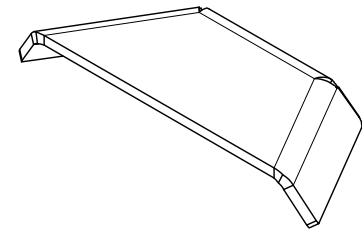
MB4089-3
Qty: 1



MB4089-3_MIR
Qty: 1



MB4089-4
Qty: 1



MB4089-4_MIR
Qty: 1



Dwg/Part No:

MB4089 - Shipping Un-Welded

Description:

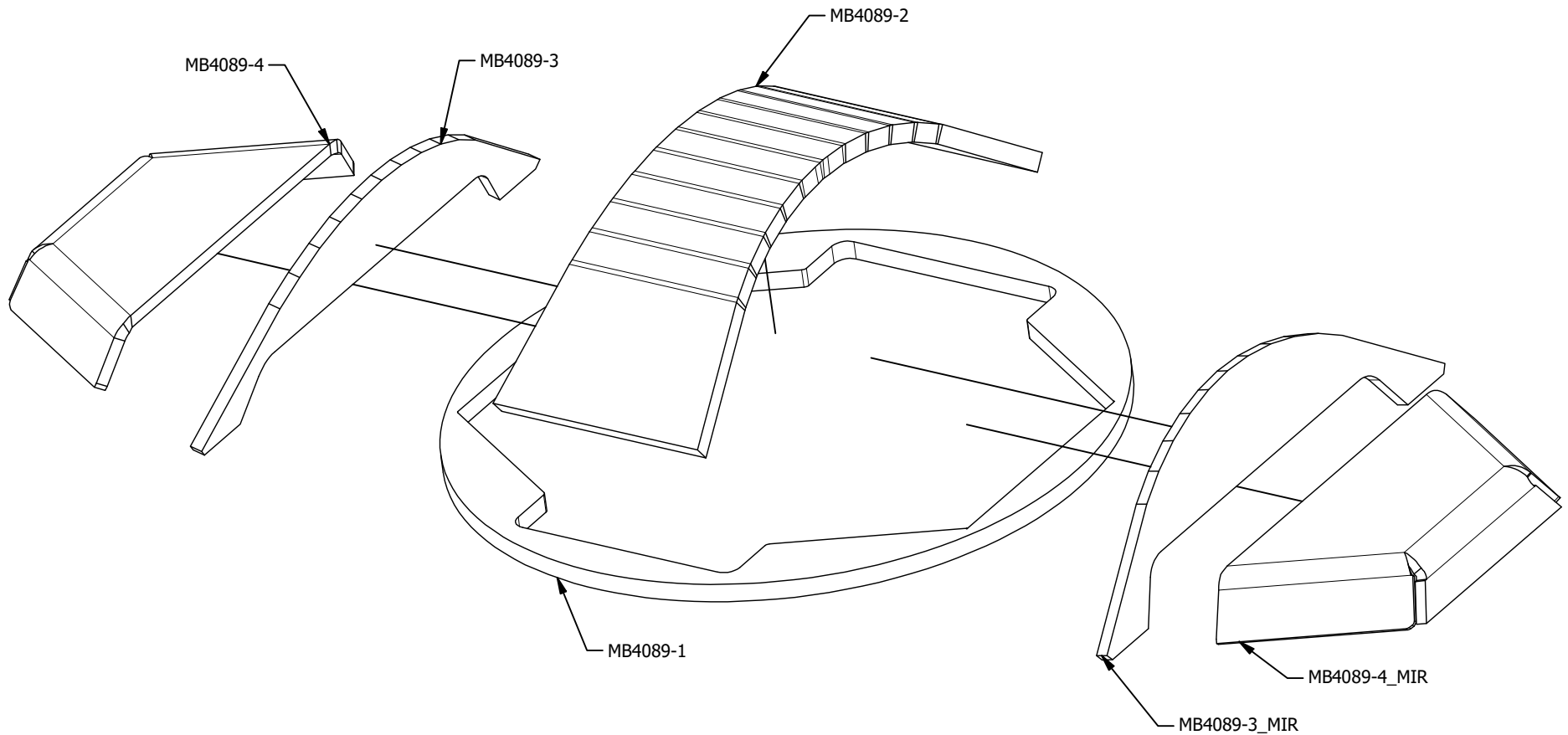
2.5 Ton Rockwell DIY Diff Cover

Mat'l:

Sheet No: **1** of **2**

Rev No: **0**

IMPORTANT: TACK WELD ALL PARTS TOGETHER AND TEST FIT BEFORE FINISH WELDING!



Dwg/Part No:

MB4089 - Shipping Un-Welded

Description:

2.5 Ton Rockwell DIY Diff Cover

Mat'l:

Sheet No: **2** of **2**Rev No: **0**