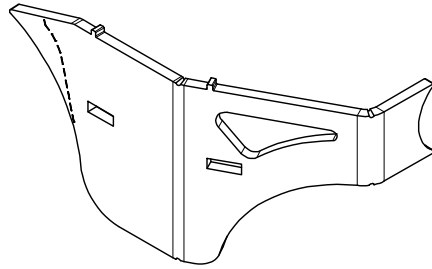
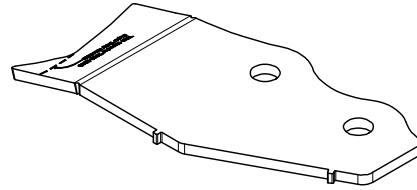


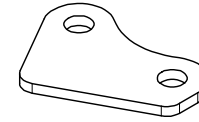
MB4082-01
QTY 2



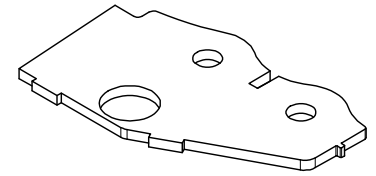
MB4082-02
QTY 1



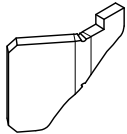
MB4082-03
QTY 1



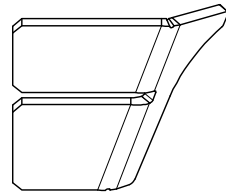
MB4082-04
QTY 1



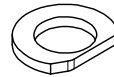
MB4082-05
QTY 1



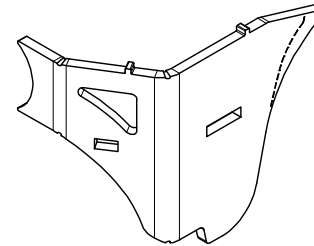
MB4082-06
QTY 1



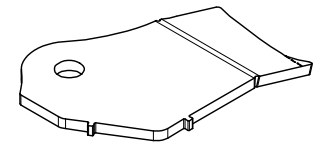
MB4082-07
QTY 1



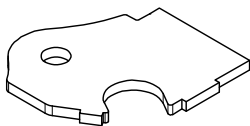
MB4082-08
QTY 1



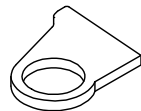
MB4082-09
QTY 1



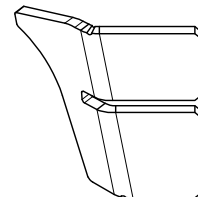
MB4082-10
QTY 1



MB4082-11
QTY 1



MB4082-12
QTY 1



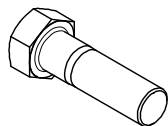
MB4082-13
QTY 1



MB4082-14
QTY 1



FLAT WASHER, 7/8"
QTY 2



HEX BOLT, 7/8"-14 UNF X 3.0"
QTY 2



Dwg/Part No:

MB4082 - Shipping

Description:

Kit Contents

Sheet No: **1** of **7**

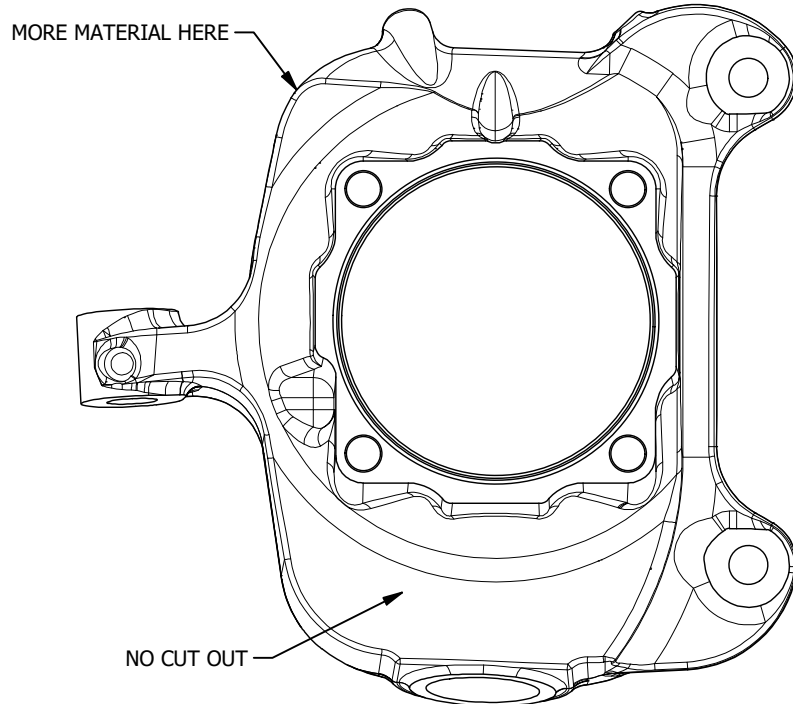
Rev No: **0**

Mat'l: **Super Duty 2005-2012**

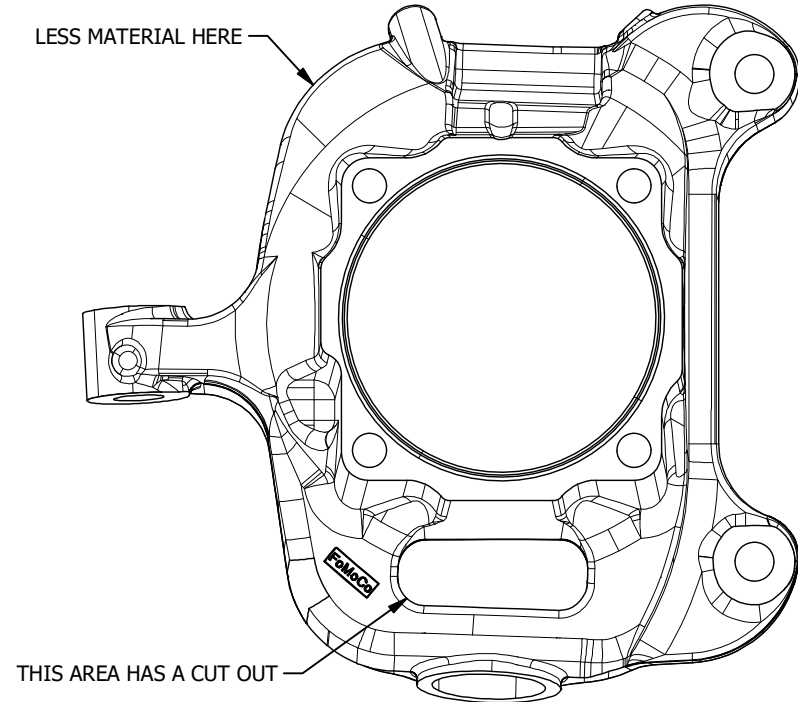
HOW TO IDENTIFY YOUR KNUCKLES

Before you start, you need to ensure you have identified which steering knuckles you have.

Our assembly instructions show step-by-step instructions based on either 2009-2012 knuckles or 2005-2008 knuckles. Please identify your knuckles & read the appropriate assembly directions based on the model year of steering knuckles you are using.



**2005-2008 Driver Side Knuckle
(similar for Passenger Side knuckle)**



**2009-2012 Driver Side Knuckle
(Similar for Passenger Side knuckle)**



Dwg/Part No:

Knuckle Identification

Description:

2005-2012 Knuckle Differences

Mat'l:

Sheet No: **2** of **7**

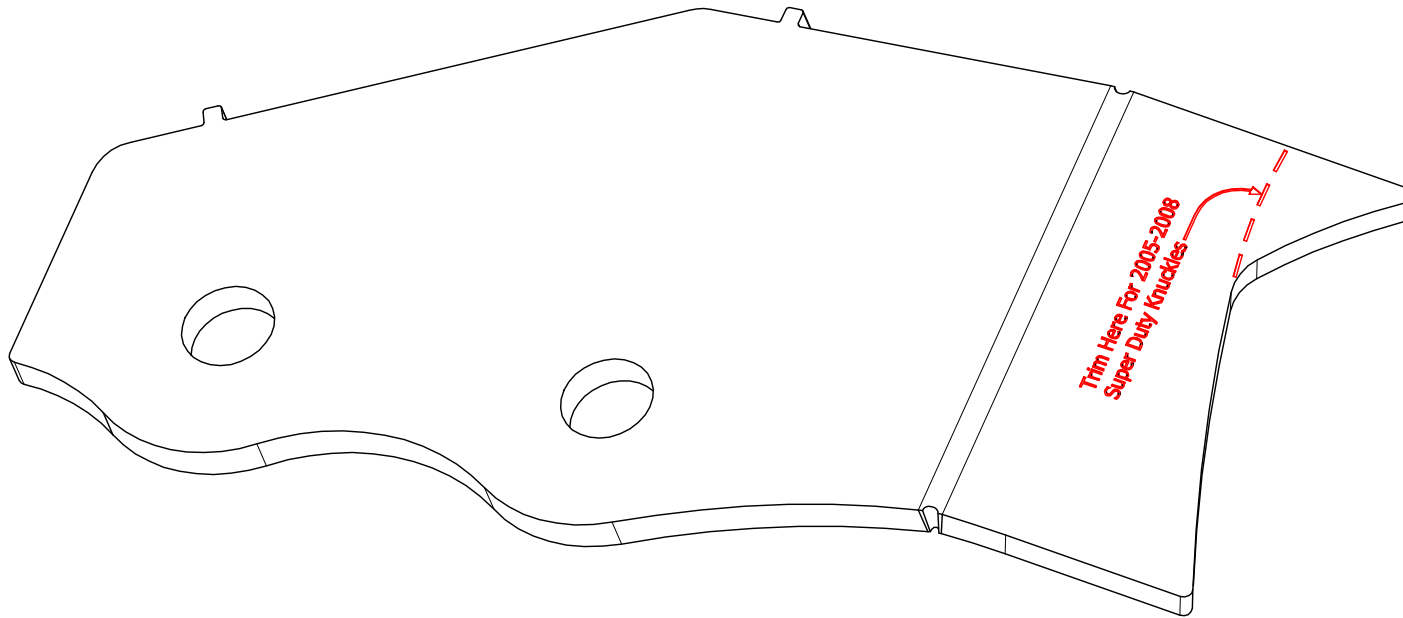
Rev No: **0**

SCRIBE LINES

Our MB4082 kit includes a series of laser cut & CNC formed plates that are designed to fit Ford F250 or F-350 Super Duty 60 front axle steering knuckles ranging from model years 2005 thru 2012.

Out of the box, this kit is designed to fit directly on 2009-2012 knuckles without modification or trimming.

To make this kit adapt to 2005-2008 knuckles, trimming of certain plates is required. We have laser etched scribe lines on certain parts, as shown below. The dashed line indicates where you must trim the part to allow it to fit a 2005-2008 knuckle.

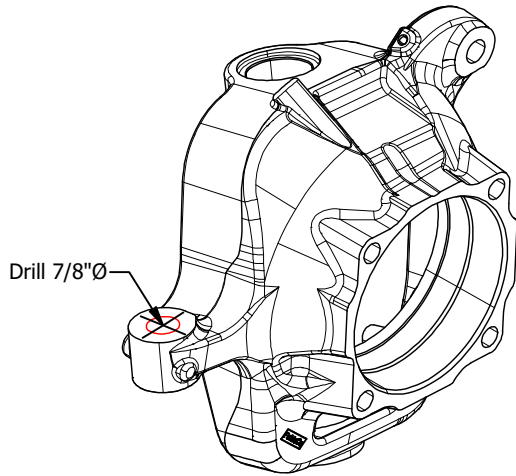


Dwg/Part No:

MB4082-03

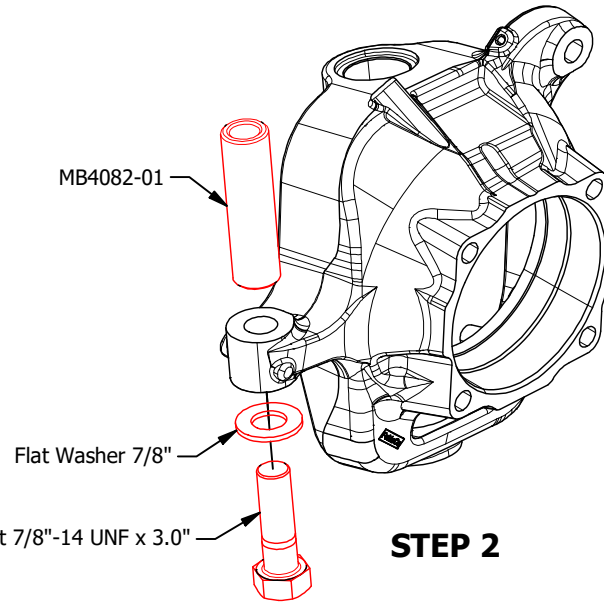
Description:

Plate 03Sheet No: **3** of **7**Rev No: **0**Mat'l: **1/4" Steel**



Drill 7/8"Ø

STEP 1

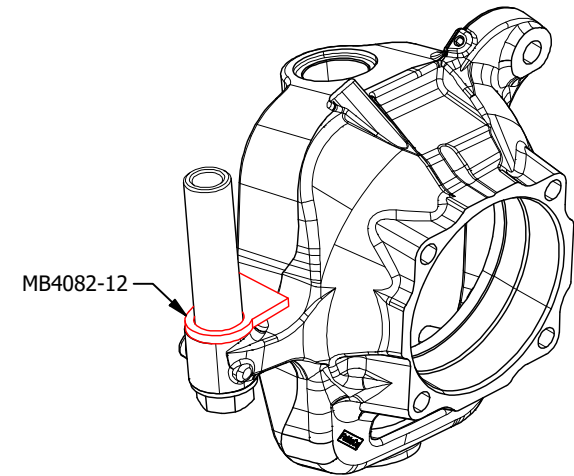


MB4082-01

Flat Washer 7/8"

Hex Bolt 7/8"-14 UNF x 3.0"

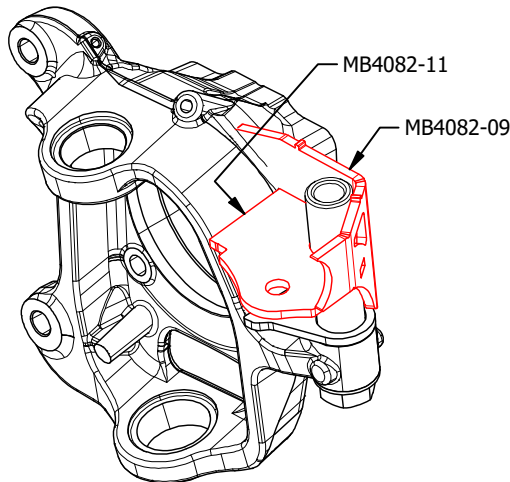
STEP 2



MB4082-12

STEP 3

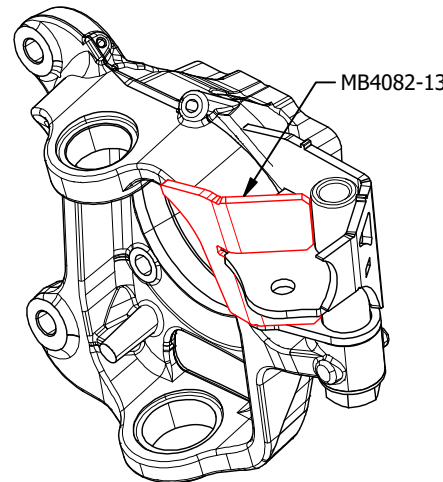
2009-2012 F-250 or F-350 Super Duty 60



MB4082-11

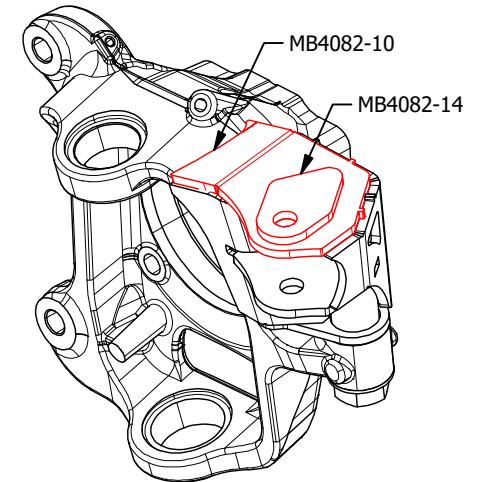
MB4082-09

STEP 4



MB4082-13

STEP 5



MB4082-10

MB4082-14

STEP 6

**FULLY WELD ALL AROUND
AFTER ASSEMBLY**

PAINT TO SUIT



Dwg/Part No:

MB4082 - Assembly Driver

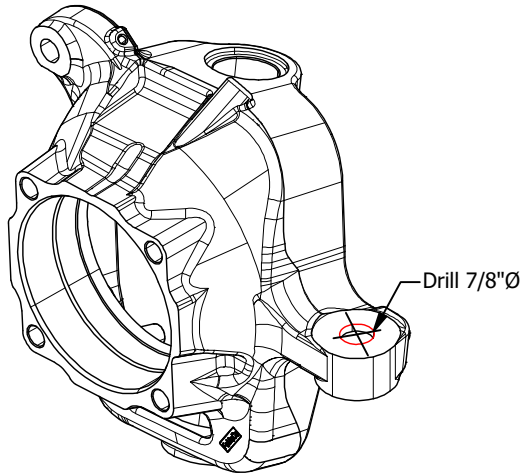
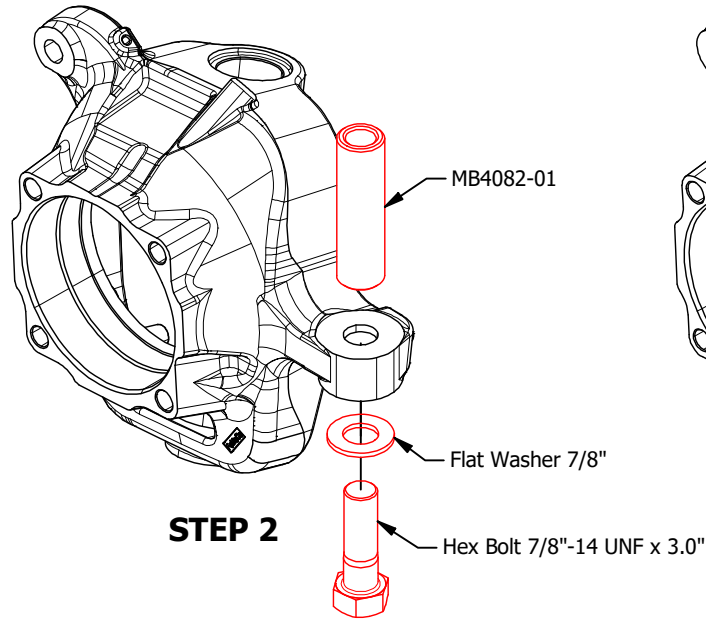
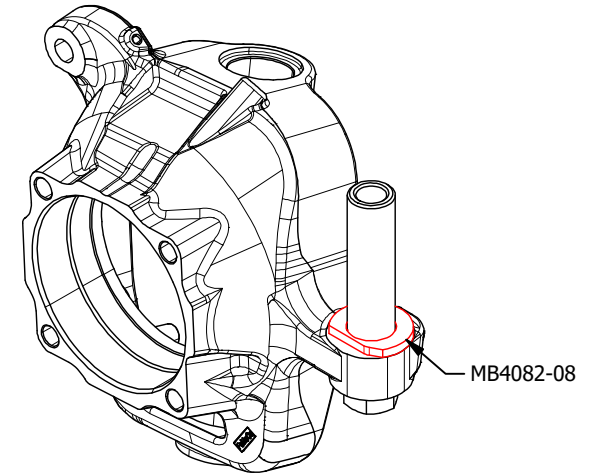
Description:

High Steer Brackets Super Duty 60

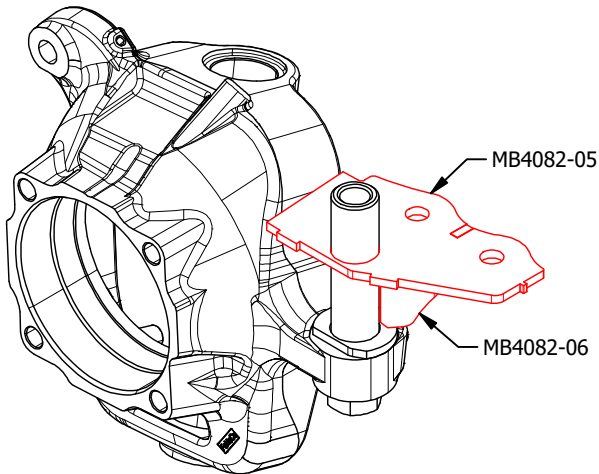
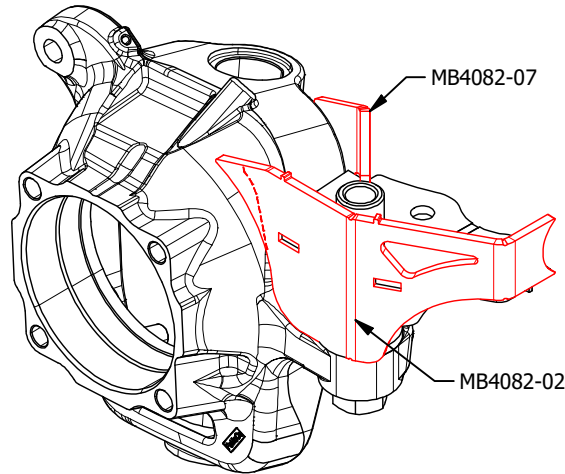
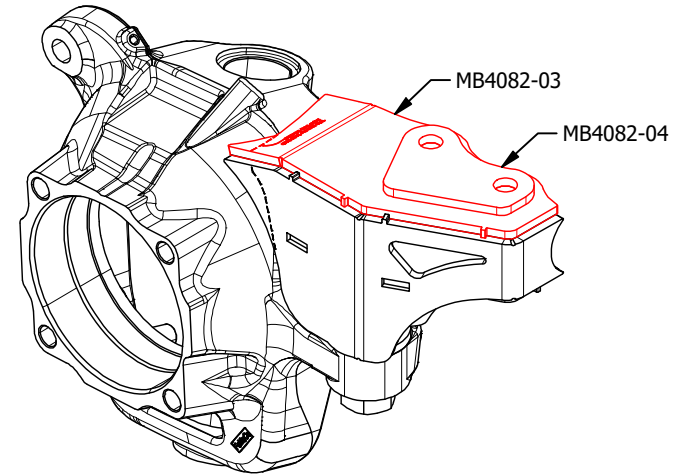
Sheet No: **4** of **7**

Rev No: **0**

Mat'l:


STEP 1

STEP 2

STEP 3

2009-2012 F-250 or F-350 Super Duty 60


STEP 4

STEP 5

STEP 6

**FULLY WELD ALL AROUND
AFTER ASSEMBLY**

PAINT TO SUIT



Dwg/Part No:

MB4082 - Assembly Passenger

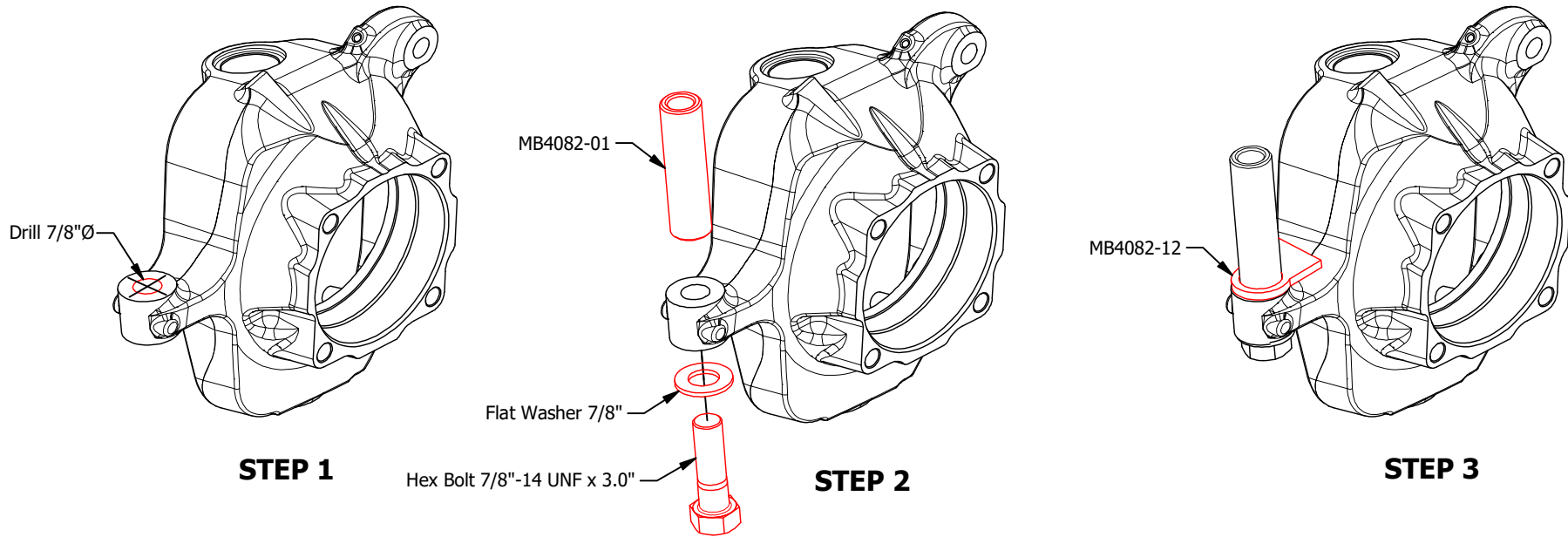
Description:

High Steer Brackets Super Duty 60

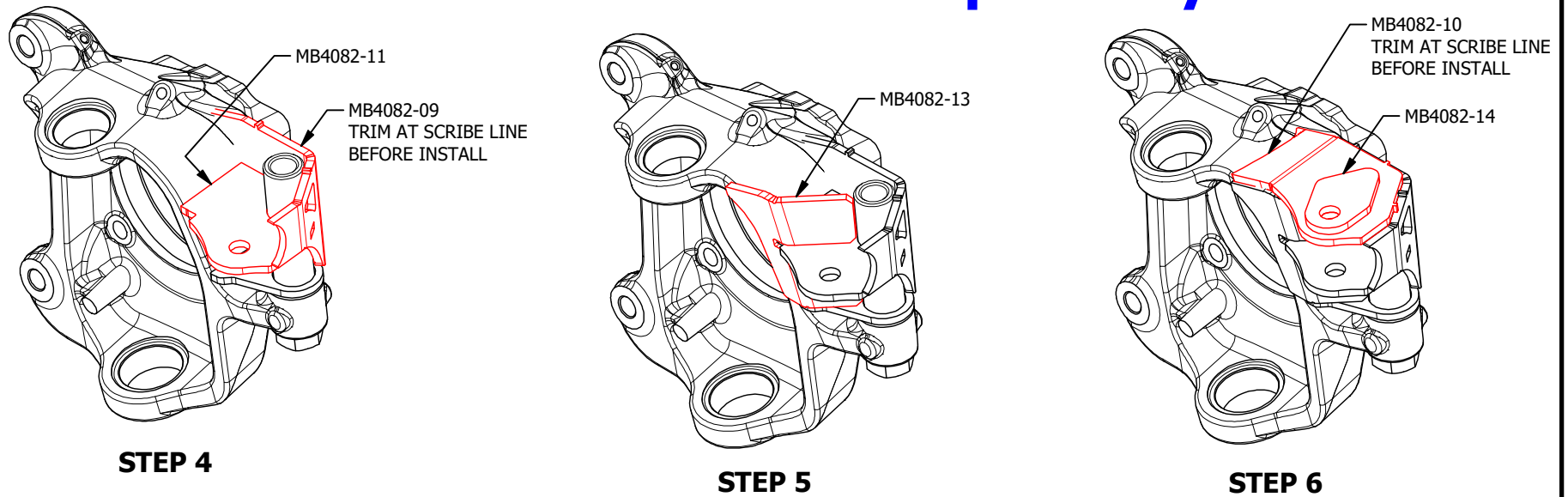
 Sheet No: **5** of **7**

 Rev No: **0**

Mat'l:



2005-2008 F-250 or F-350 Super Duty 60



**FULLY WELD ALL AROUND
AFTER ASSEMBLY**

PAINT TO SUIT



Dwg/Part No:

MB4082 - Assembly Driver

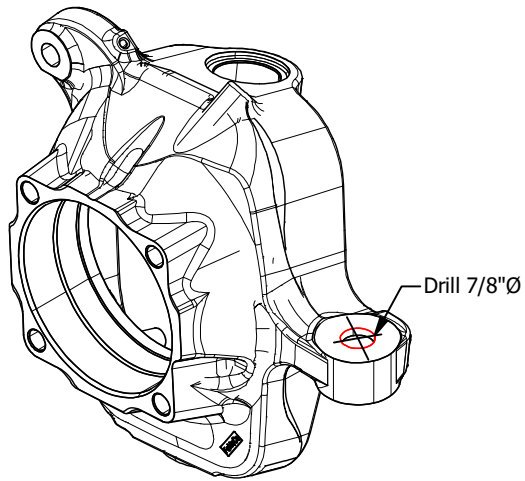
Description:

High Steer Brackets Super Duty 60

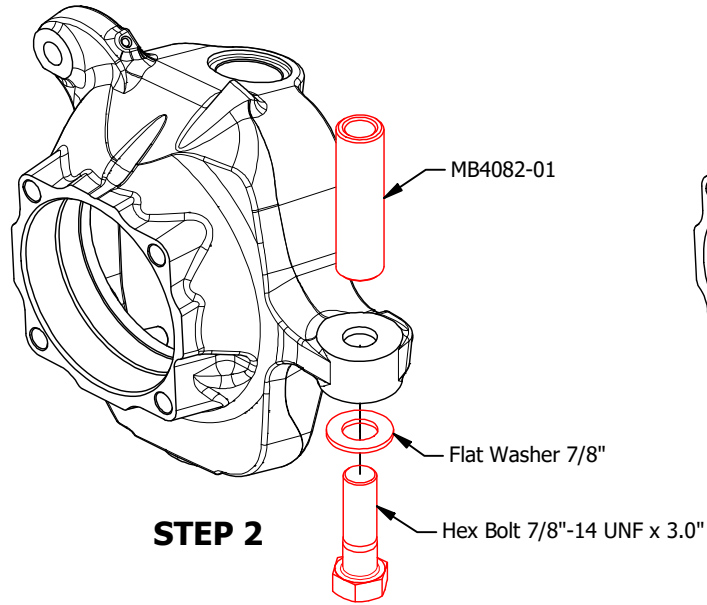
Mat'l:

Sheet No: **6** of **7**

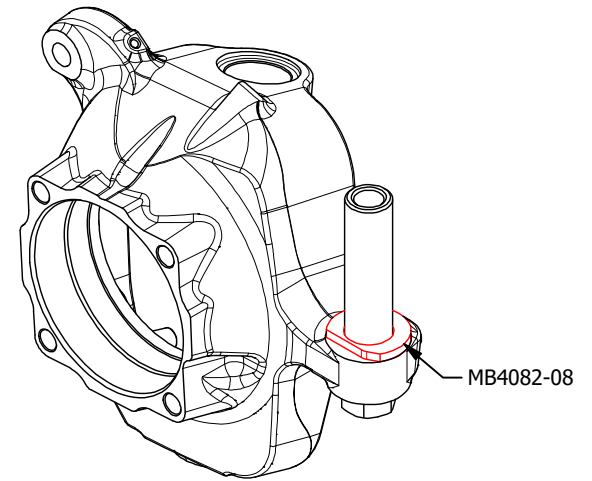
Rev No: **0**



STEP 1

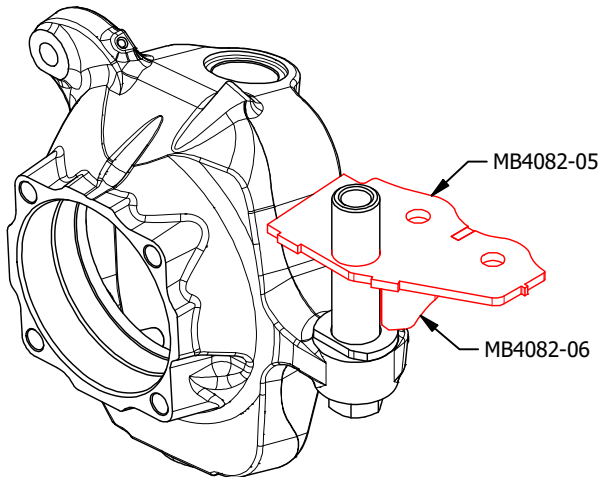


STEP 2

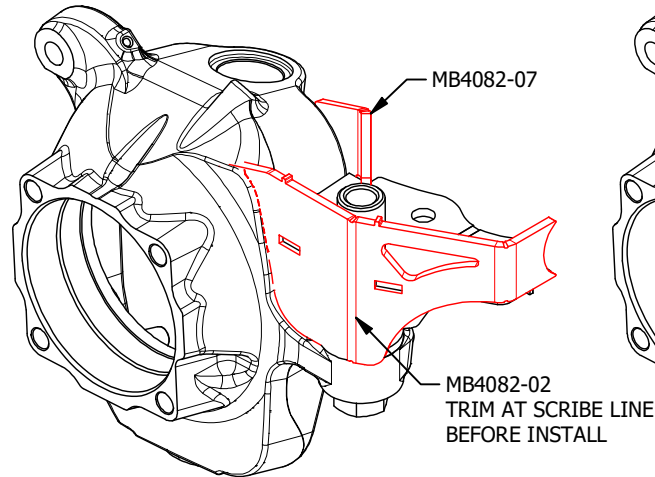


STEP 3

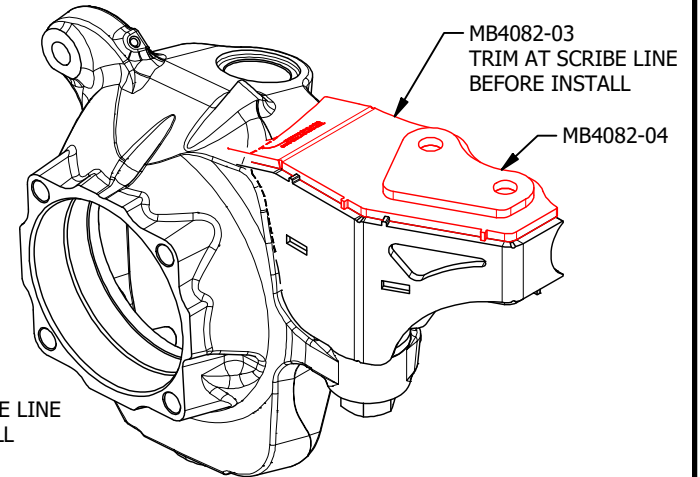
2005-2008 F-250 or F-350 Super Duty 60



STEP 4



STEP 5



STEP 6



Dwg/Part No:

MB4082 - Assembly Passenger

Description:

High Steer Brackets Super Duty 60

Sheet No: 7 of 7

Rev No: 0