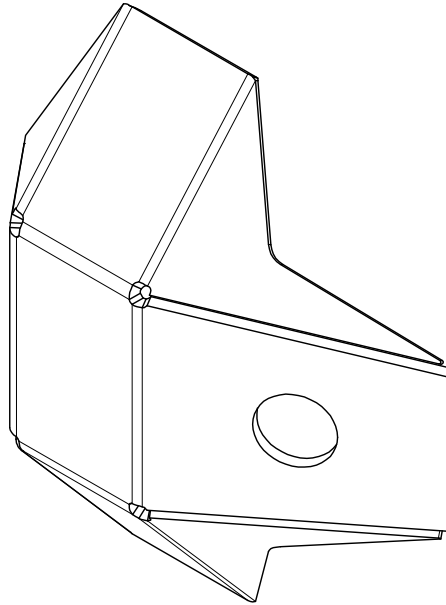
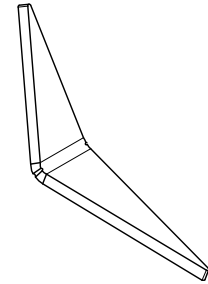


**MB4080-01**  
Qty: 1

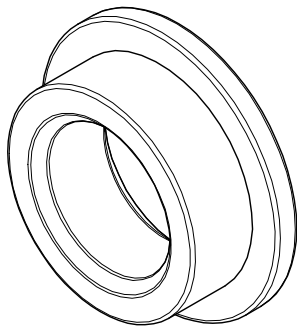
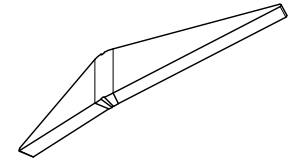


**MB4080-02**  
Qty: 1

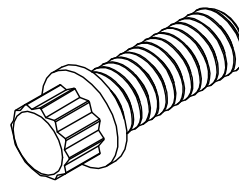
**MB4080-03**  
Qty: 1



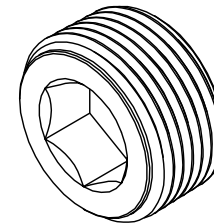
**MB4080-03\_MIR**  
Qty: 1



**OIL FILL WELD-IN BUNG**  
3/4" NPT  
Qty: 1



**12 POINT BOLT**  
3/8"-16 x 1"  
Qty: 14



**OIL FILL PLUG**  
3/4" NPT  
Qty: 1



Dwg/Part No:

**MB4080 - Shipping Un-Welded**

Description:

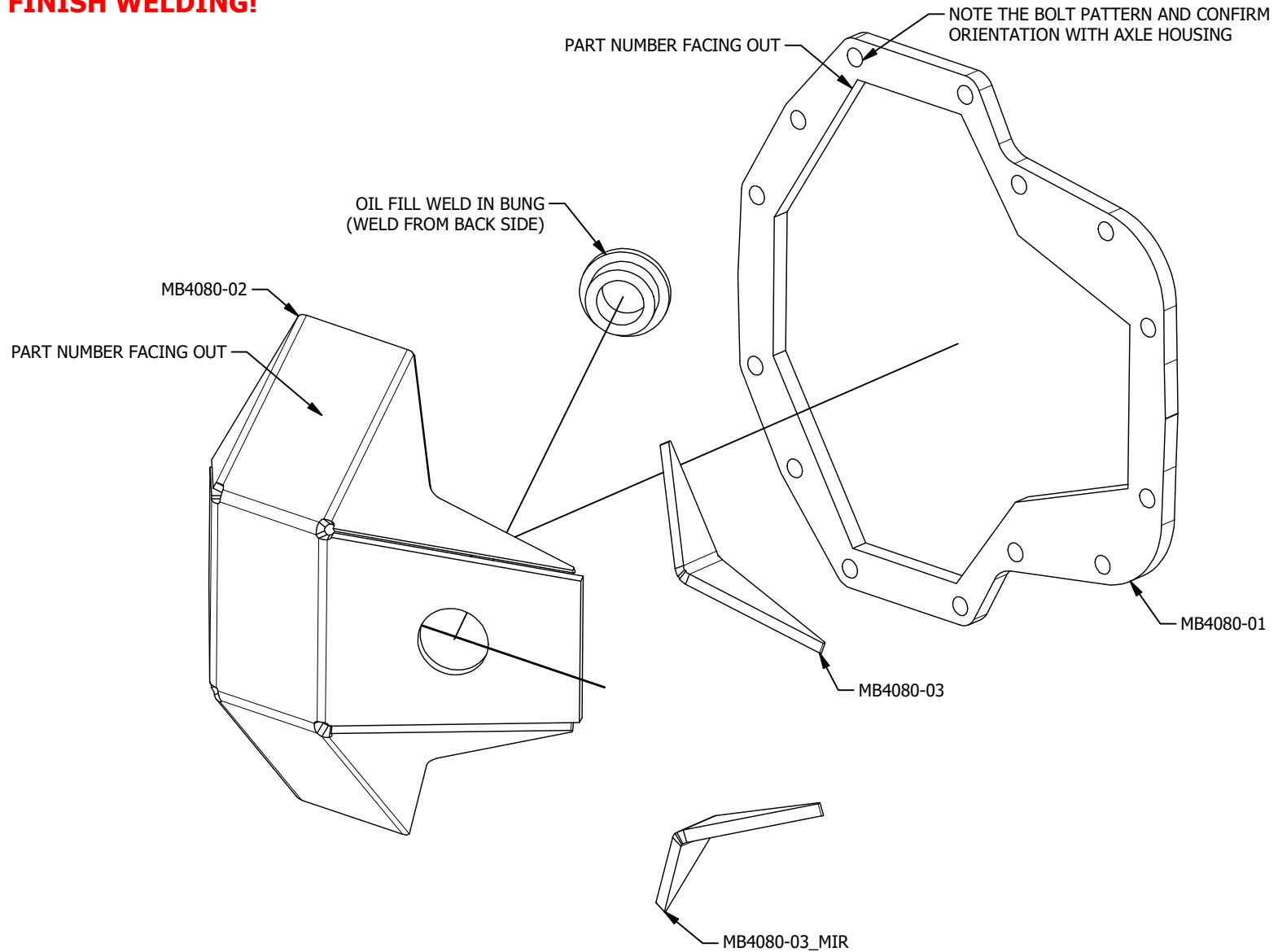
**Ultimate DANA60 DIY Diff Cover**

Mat'l:

Sheet No: **1** of **2**

Rev No: **0**

**IMPORTANT: TACK WELD ALL PARTS TOGETHER AND TEST FIT BEFORE FINISH WELDING!**



Dwg/Part No:

**MB4080 - Shipping Un-Welded**

Description:

**Ultimate DANA60 DIY Diff Cover**

Mat'l:

Sheet No: **2** of **2**

Rev No: **0**