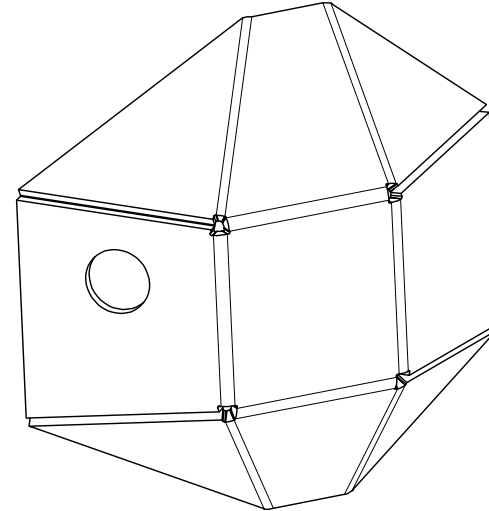
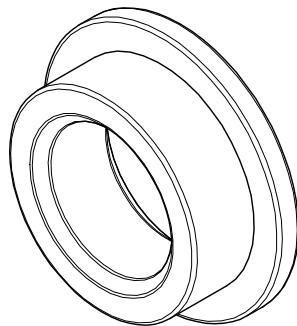


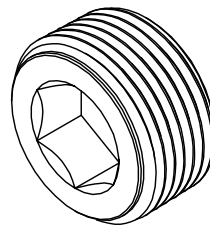
MB4067-1
Qty: 1



MB4067-2
Qty: 1

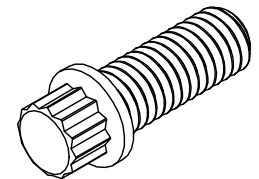


OIL FILL WELD-IN BUNG
3/4" NPT
Qty: 1

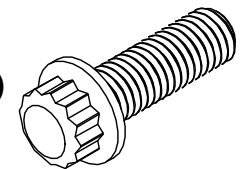


OIL FILL PLUG
3/4" NPT
Qty: 1

12 POINT BOLT (INCH)
3/8"-16 x 1"
Qty: 13



12 POINT BOLT (METRIC)
M8-1.25 x 25mm
Qty: 13

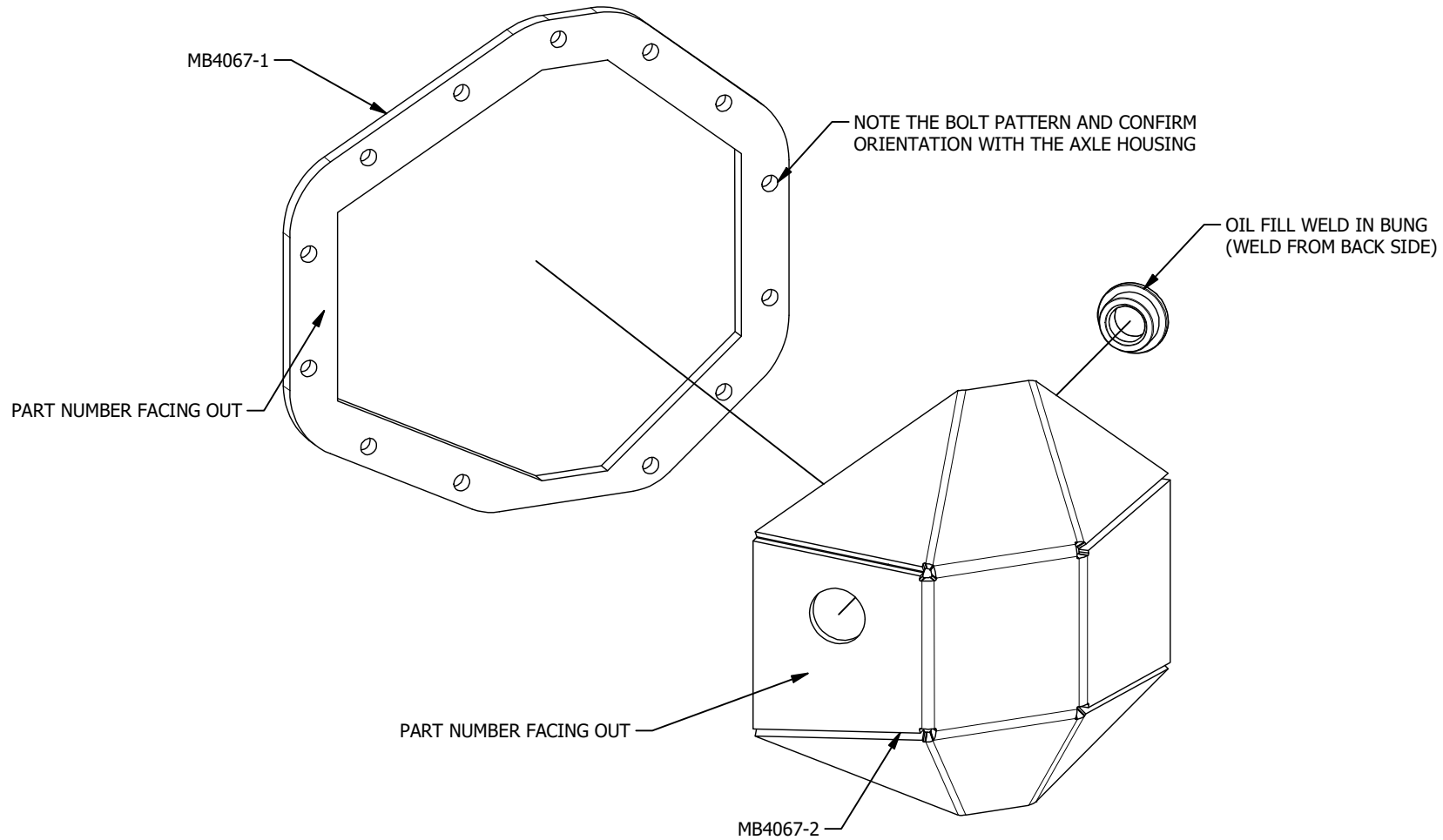


Dwg/Part No:
MB4067 - Shipping Unwelded
Description:
13 Bolt Diff Cover

Mat'l:

Sheet No: **1** of **2**
Rev No: **0**

IMPORTANT: TACK WELD ALL PARTS TOGETHER AND TEST FIT BEFORE FINISH WELDING!



Dwg/Part No:

MB4067 - Shipping Unwelded

Description:

13 Bolt Diff Cover

Mat'l:

Sheet No: **2** of **2**Rev No: **0**