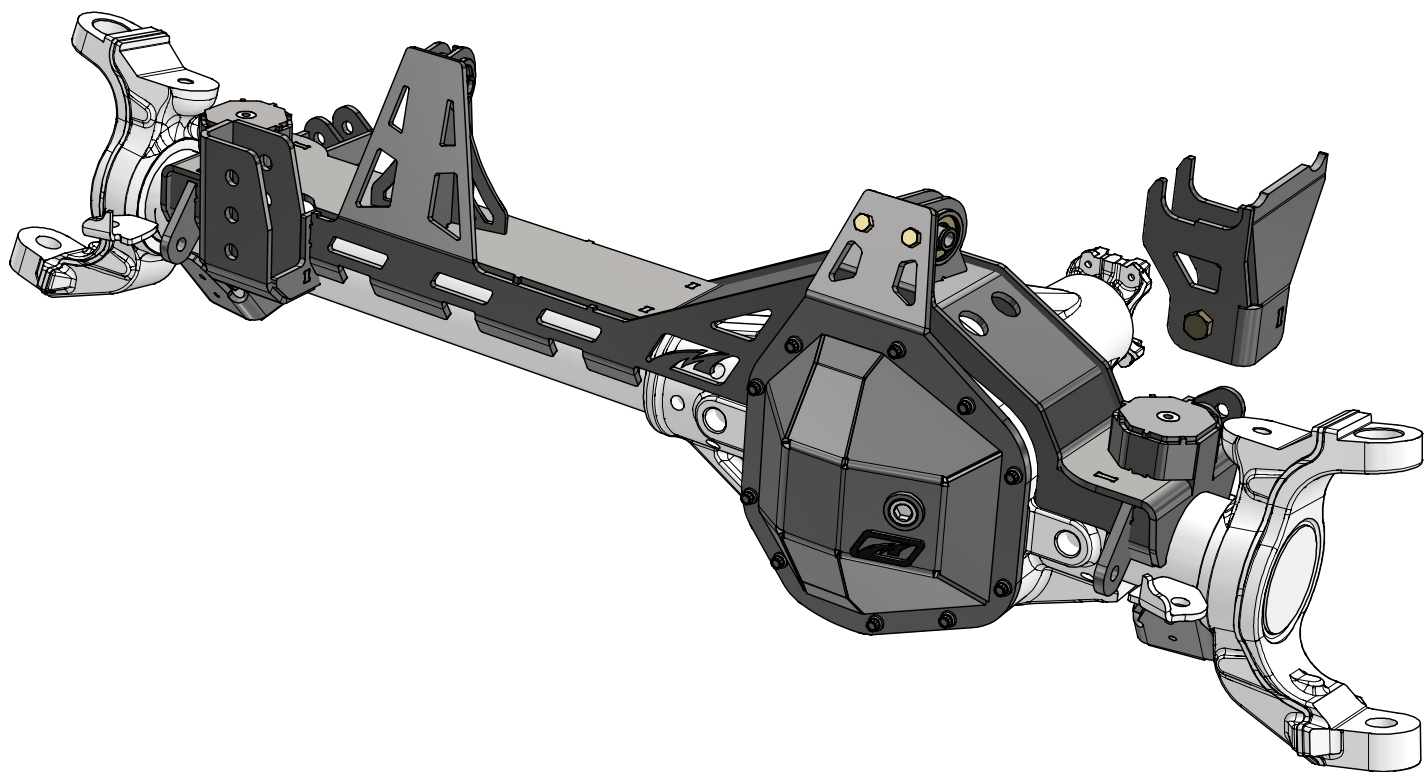


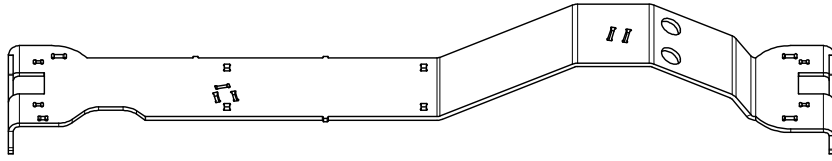
JK SUPER DUTY DANA 60 CONVERSION TRUSS



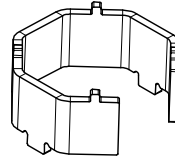
ASSEMBLY INSTRUCTIONS

MB4059 - Installation Instructions JK SD Dana 60 Conversion Truss

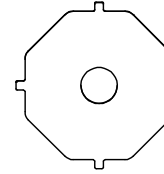
KIT CONTENTS



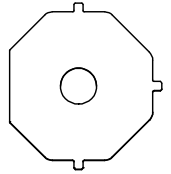
MB4059-01
Qty: 1



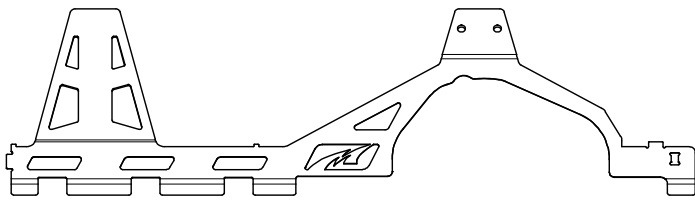
MB4059-04
Qty: 2



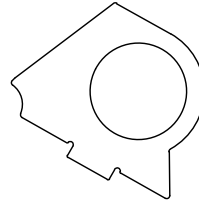
MB4059-05
Qty: 1



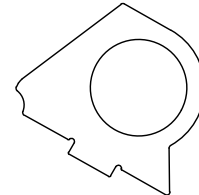
MB4059-05_MIR
Qty: 1



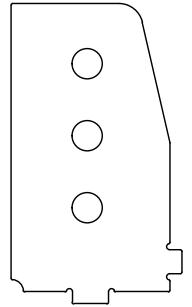
MB4059-02
Qty: 1



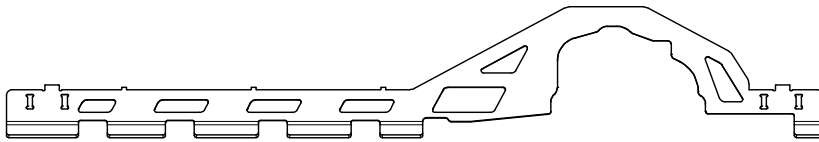
MB4059-07
Qty: 1



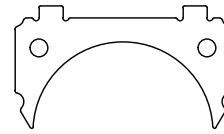
MB4059-06
Qty: 1



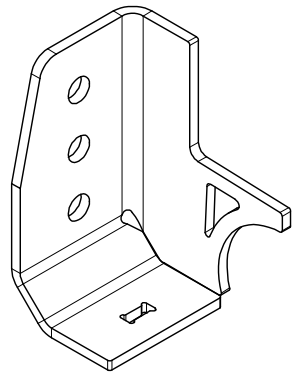
MB4059-16
Qty: 1



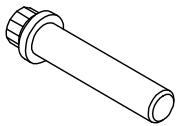
MB4059-03
Qty: 1



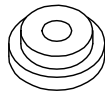
MB4059-13
Qty: 2



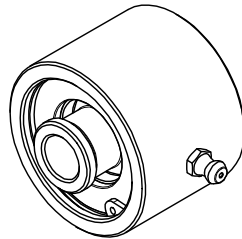
MB4059-15
Qty: 1



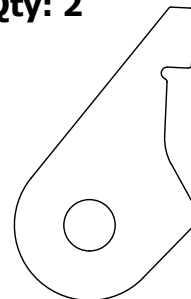
12 POINT HEAD BOLT
3/8" x 1" BLACK OXIDE
Qty: 10



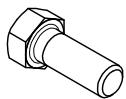
WELD NUT
3/8"
Qty: 2



CURRIE BALL JOINT
CE-9112P-12
Qty: 2



MB4059-11
Qty: 2



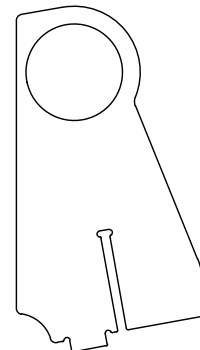
HEX BOLT
3/8" x 1" GR 8 ZINC
Qty: 2



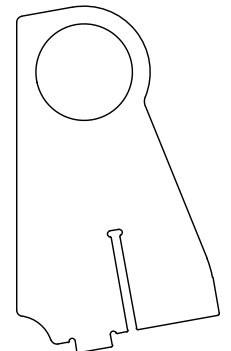
NYLOCK HEX NUT
3/8" UNC
Qty: 2



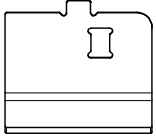
FLAT WASHER
3/8"
Qty: 2



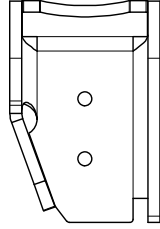
MB4059-09
Qty: 1



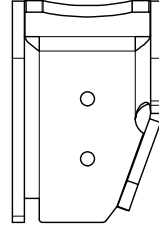
MB4059-08
Qty: 1

MB4059 - Installation Instructions JK SD Dana 60 Conversion Truss**KIT CONTENTS**

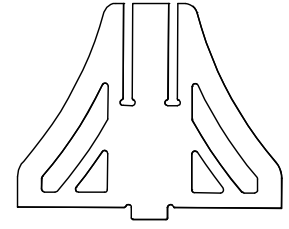
MB4059-17
Qty: 1



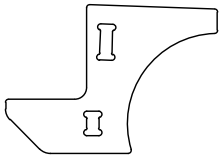
MB4059-18
Qty: 1



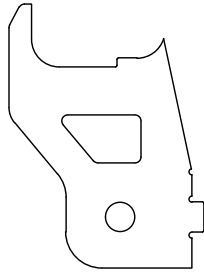
MB4059-18_MIR
Qty: 1



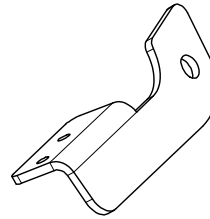
MB4059-19
Qty: 1



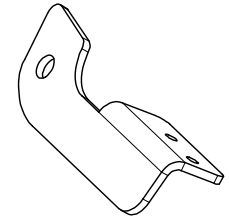
MB4059-20
Qty: 1



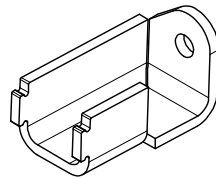
MB4059-24B
Qty: 1



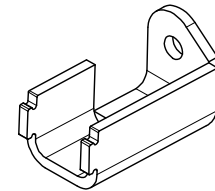
MB4059-22
Qty: 1



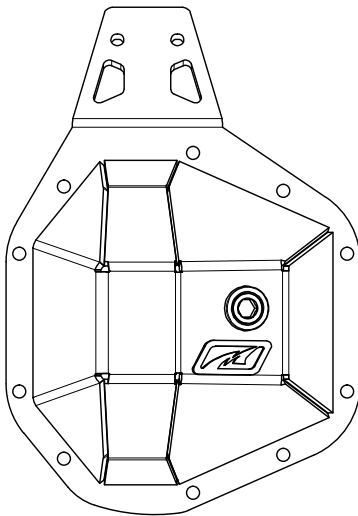
MB4059-22_MIR
Qty: 1



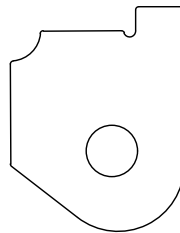
MB4059-23B
Qty: 1



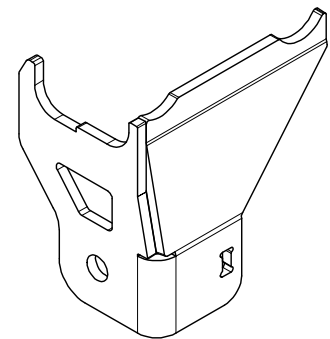
MB4059-23B_MIR
Qty: 1



DIFFERENTIAL COVER ASSEMBLY
Qty: 1

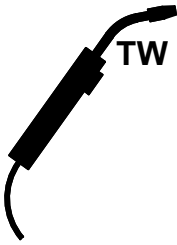


MB4059-23A
Qty: 2

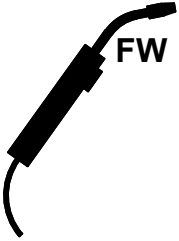


MB4059-24A
Qty: 1

SYMBOL LEGEND



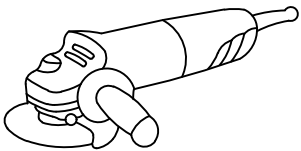
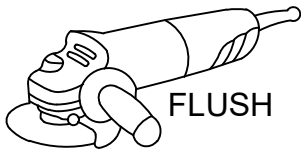
TW

= TACK WELD

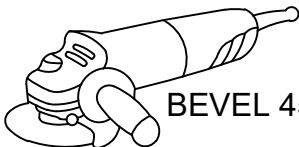
FW

= FINISH WELD

GW

= GRIND FLUSH AFTER WELD**= GRIND**

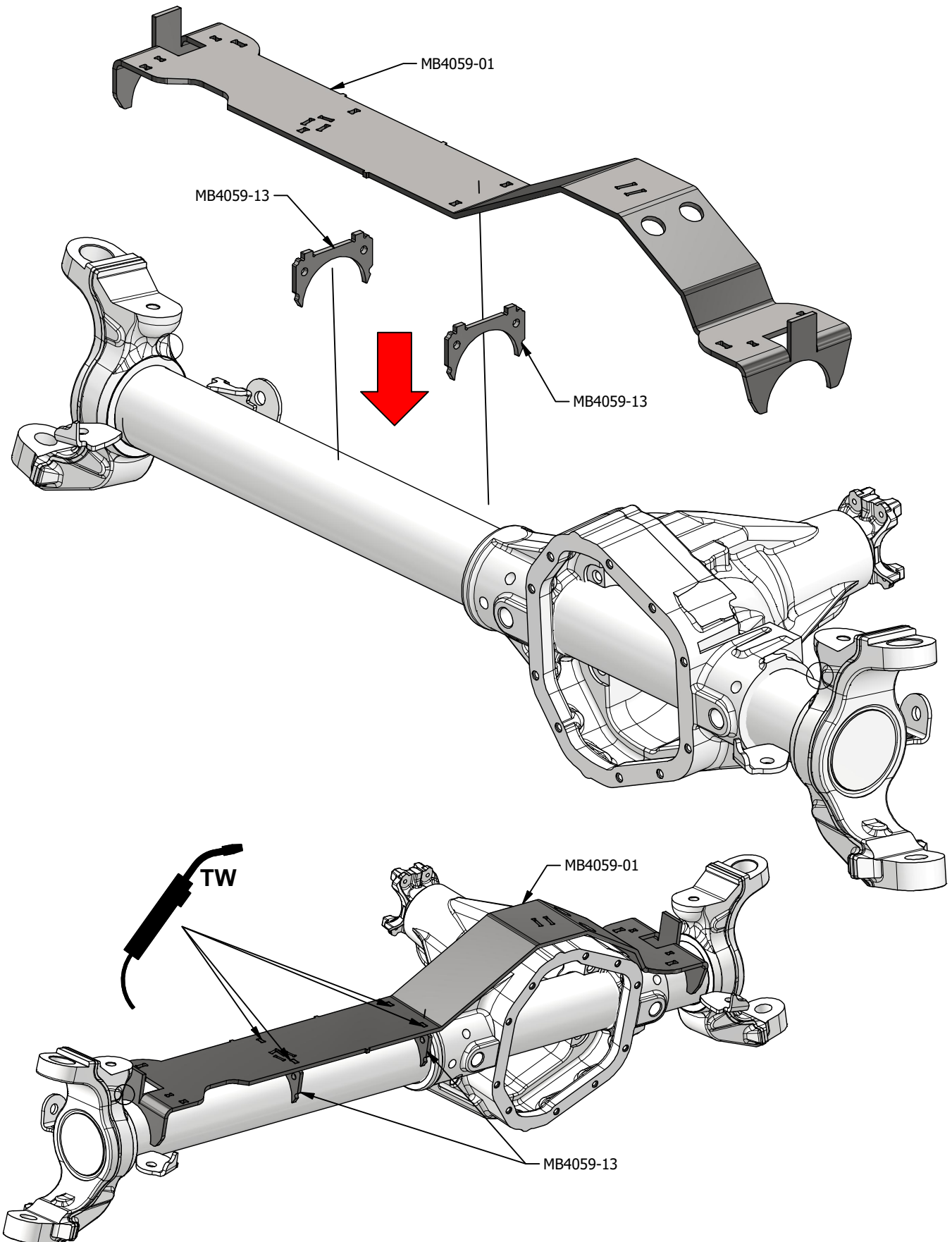
FLUSH

= GRIND FLUSH TO SURFACE

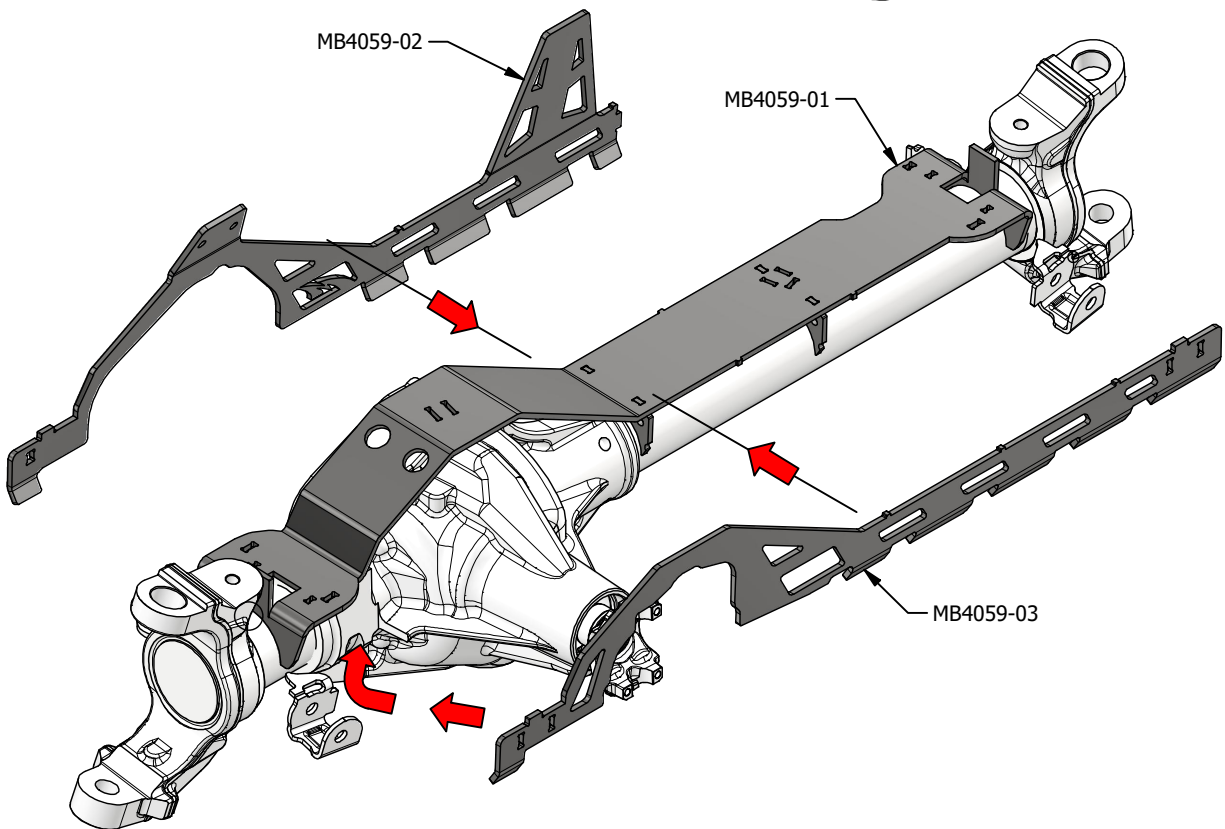
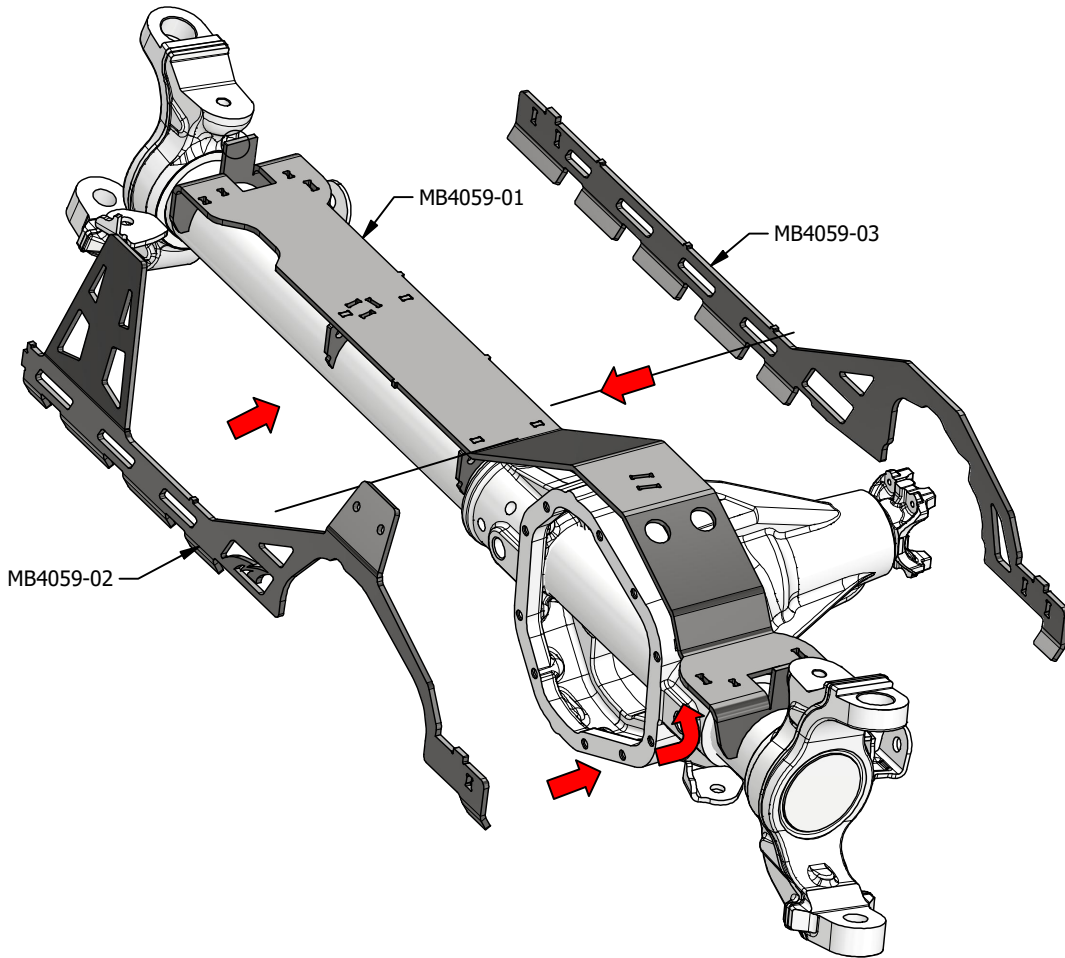
BEVEL 45°

= GRIND 45° BEVEL

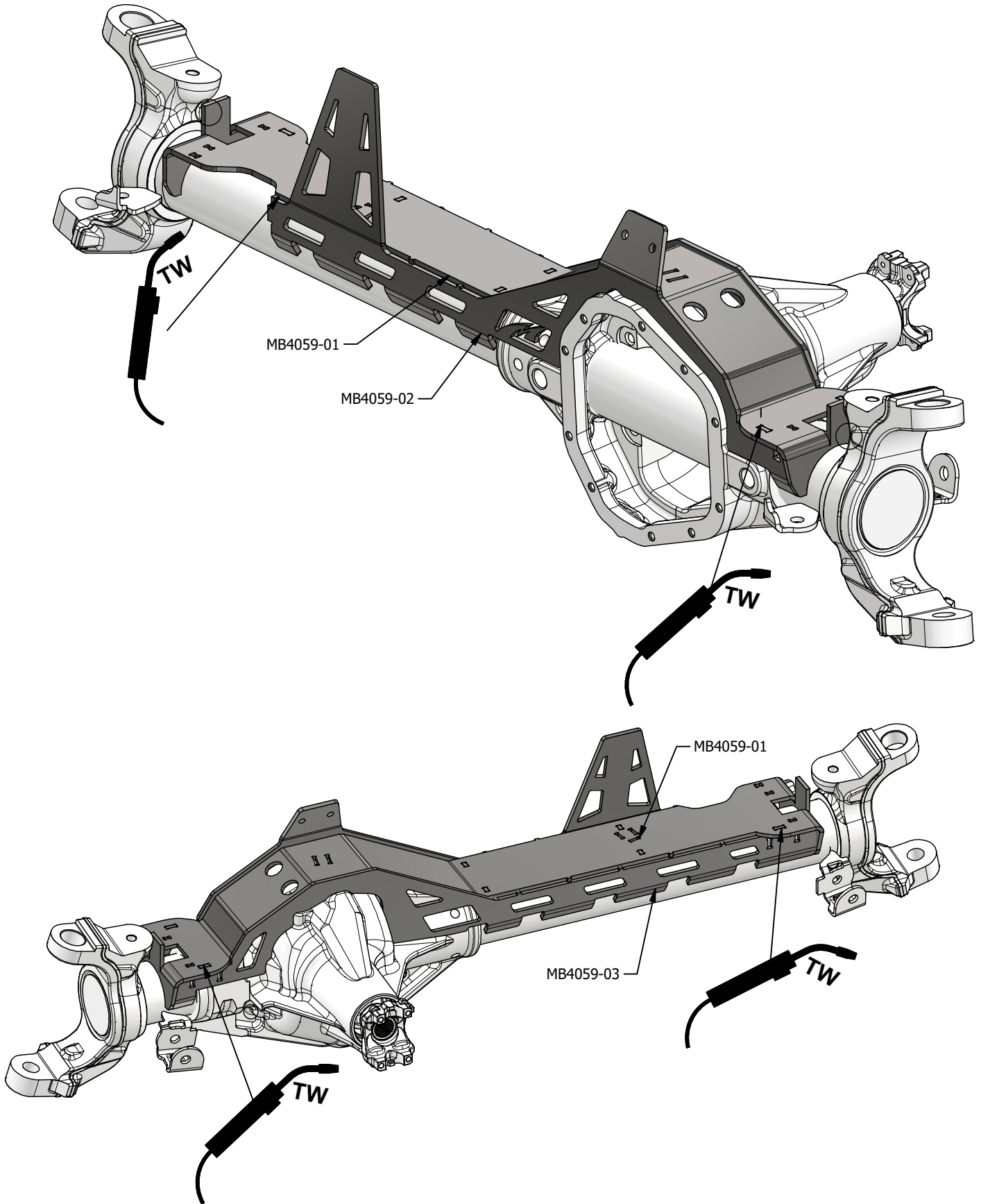
MB4059 - Installation Instructions JK SD Dana 60 Conversion Truss



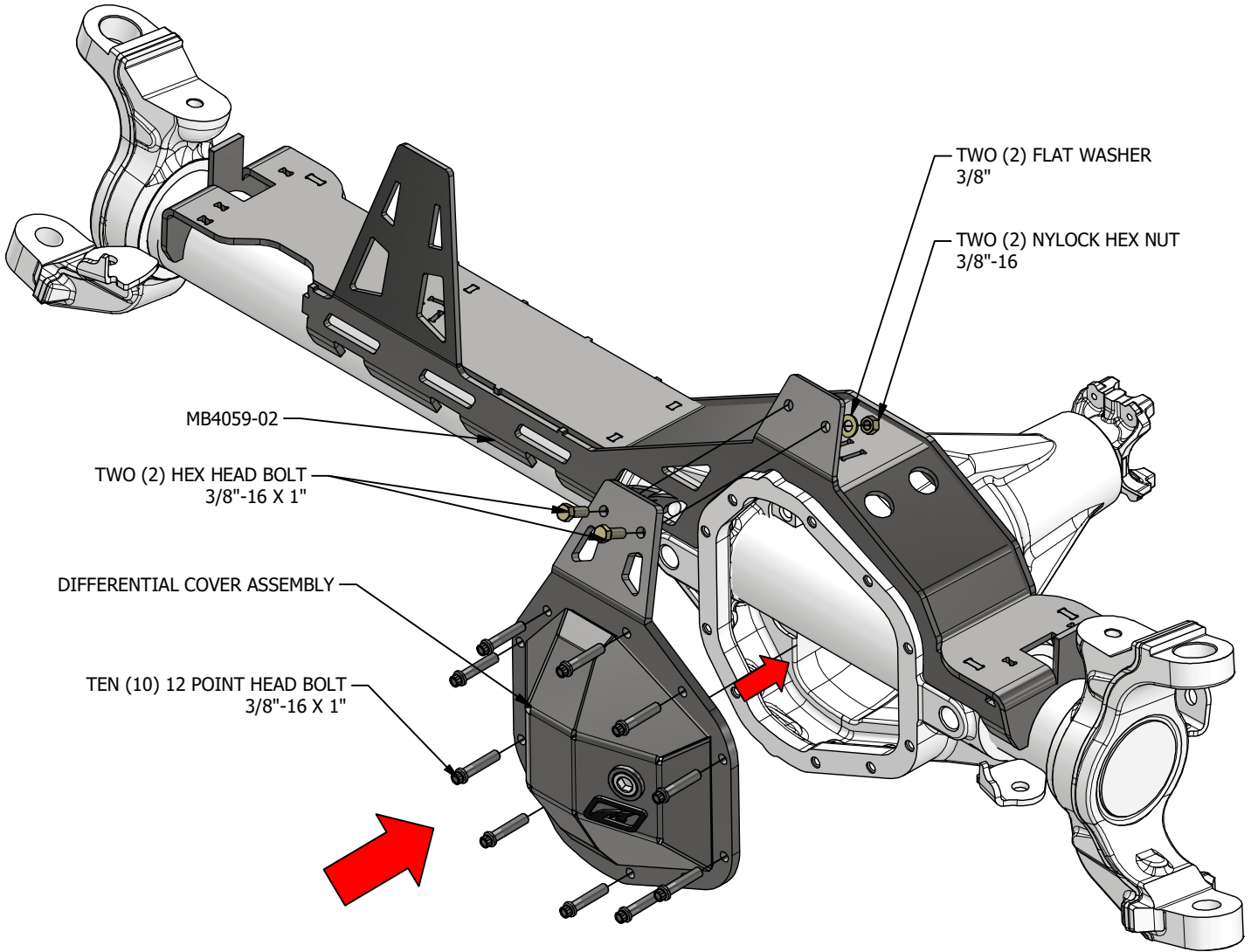
MB4059 - Installation Instructions JK SD Dana 60 Conversion Truss



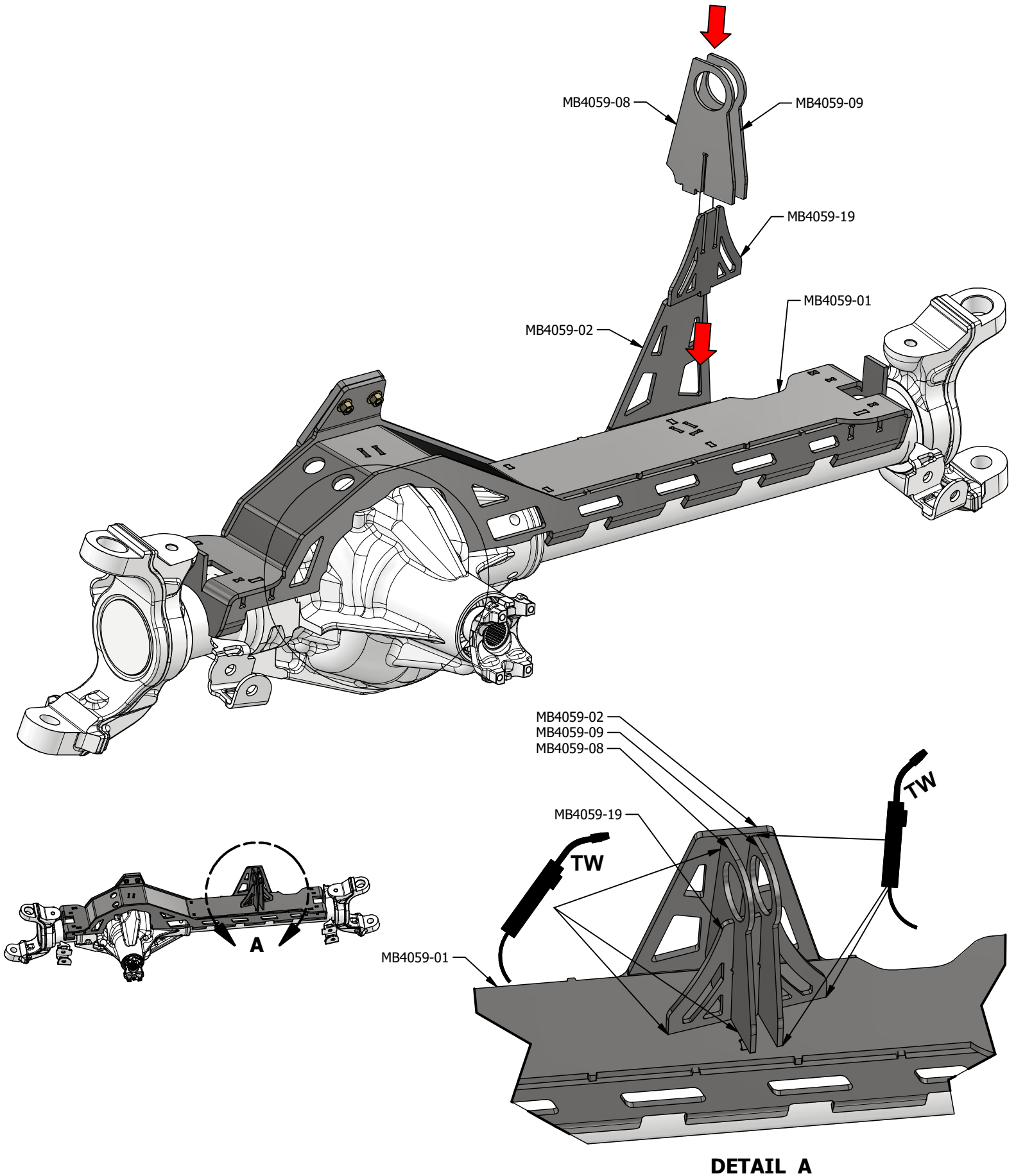
MB4059 - Installation Instructions JK SD Dana 60 Conversion Truss



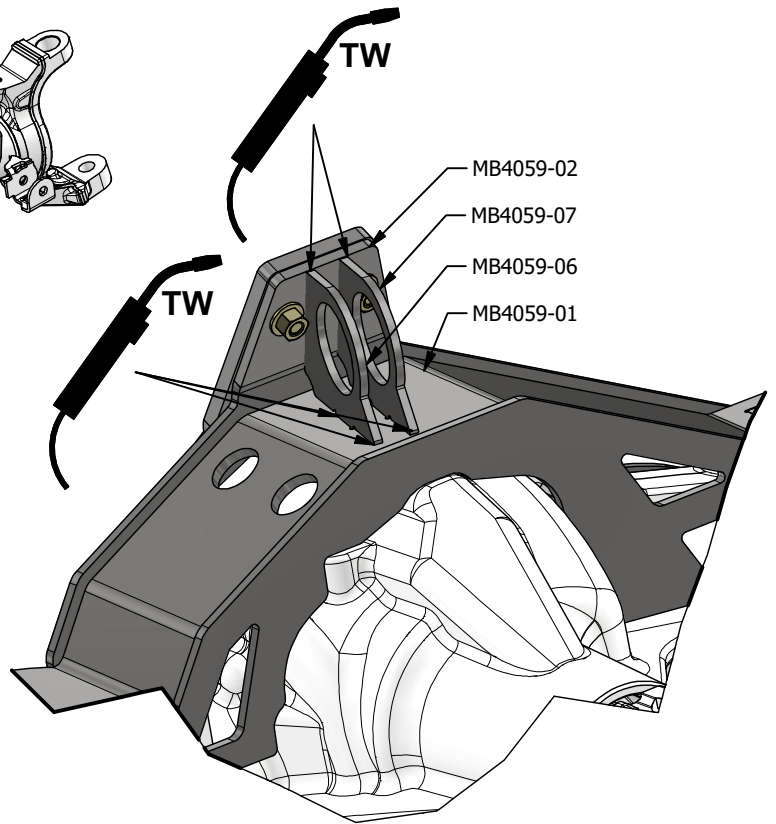
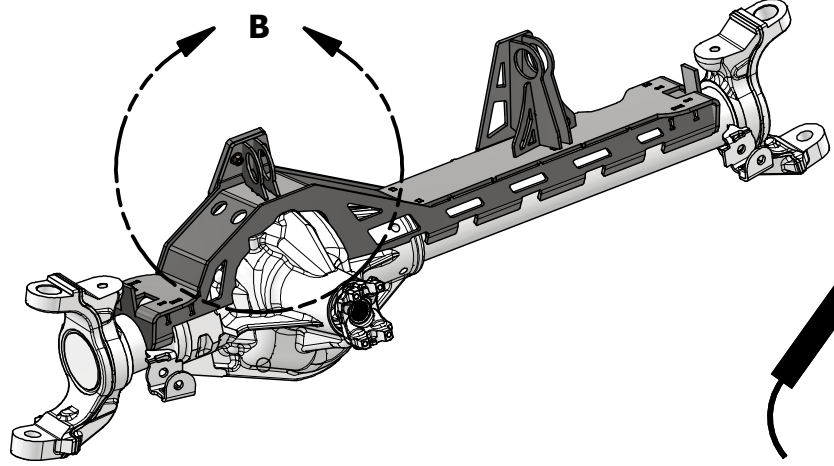
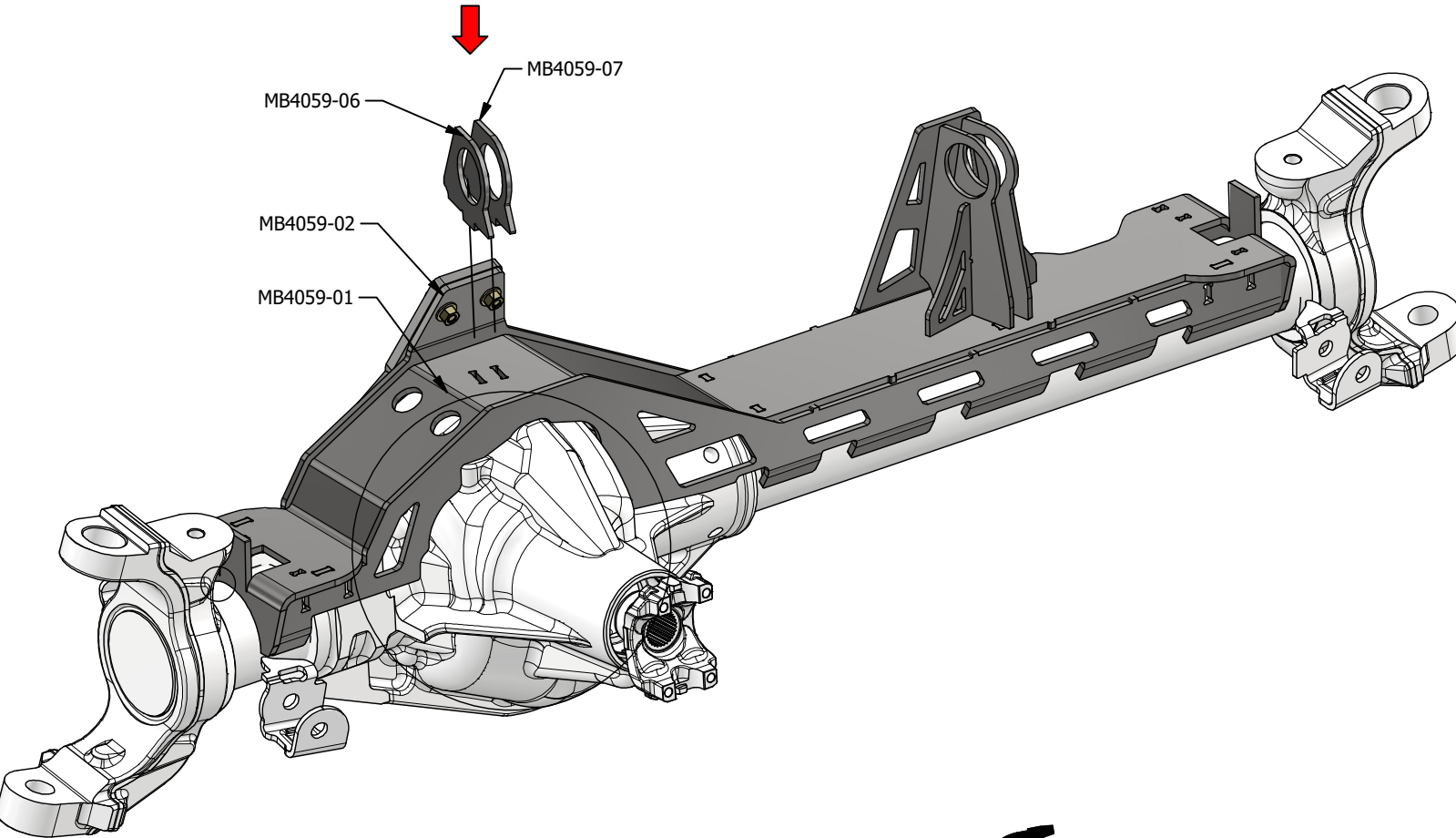
MB4059 - Installation Instructions JK SD Dana 60 Conversion Truss



MB4059 - Installation Instructions JK SD Dana 60 Conversion Truss

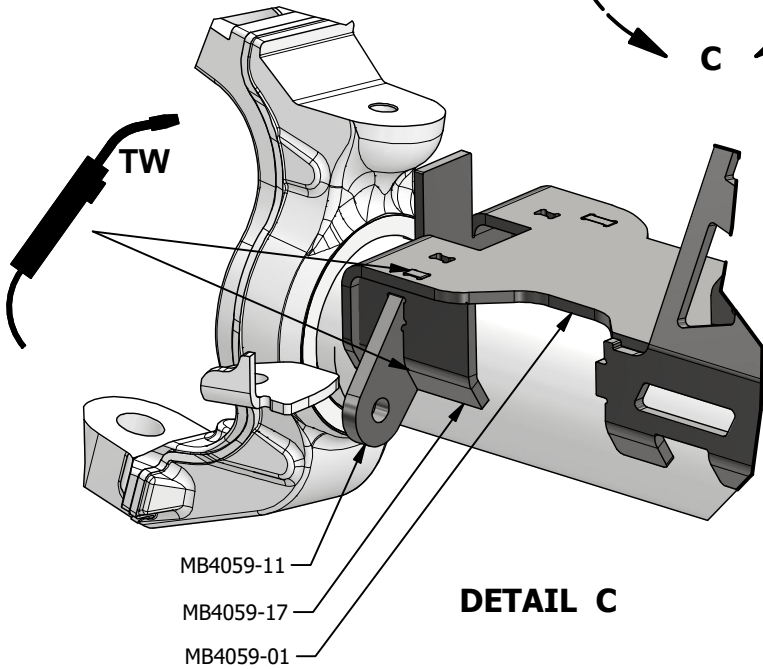
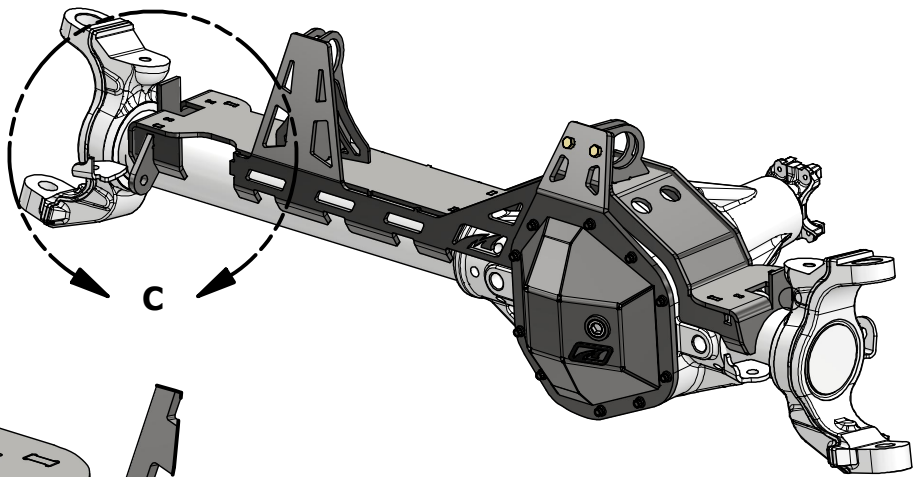
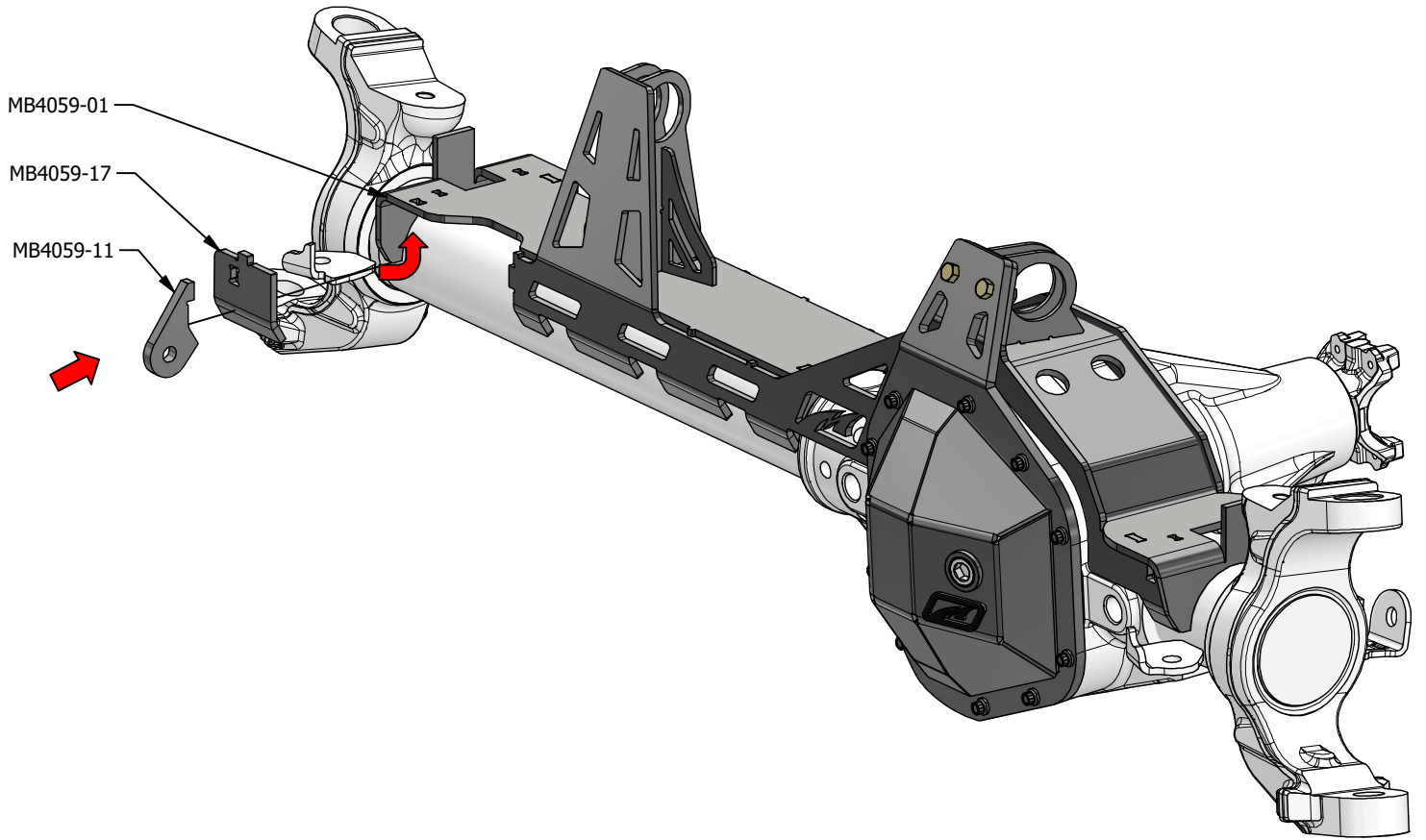


MB4059 - Installation Instructions JK SD Dana 60 Conversion Truss

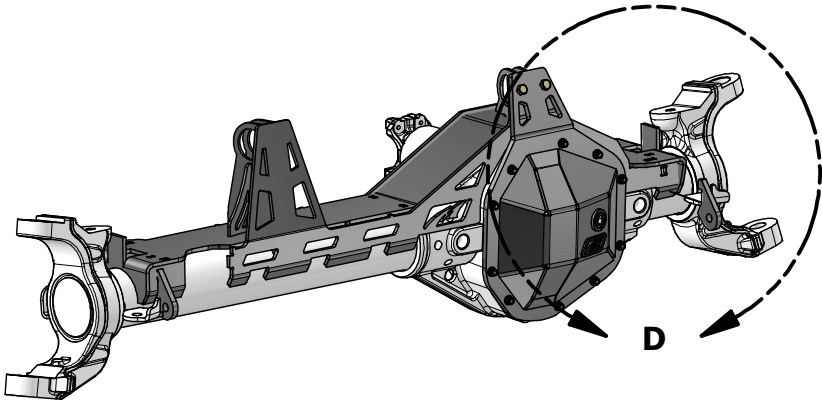


DETAIL B

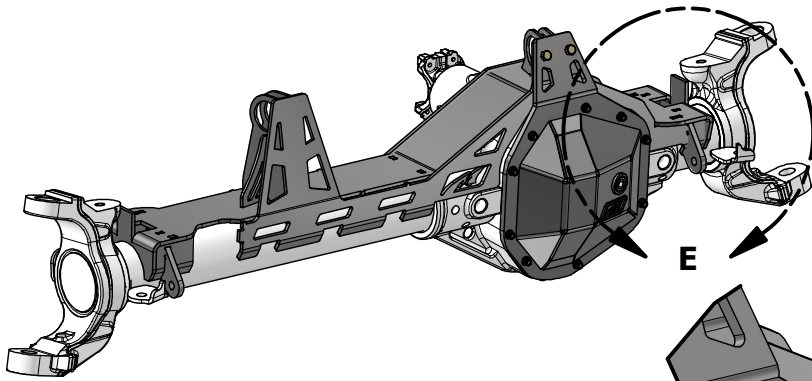
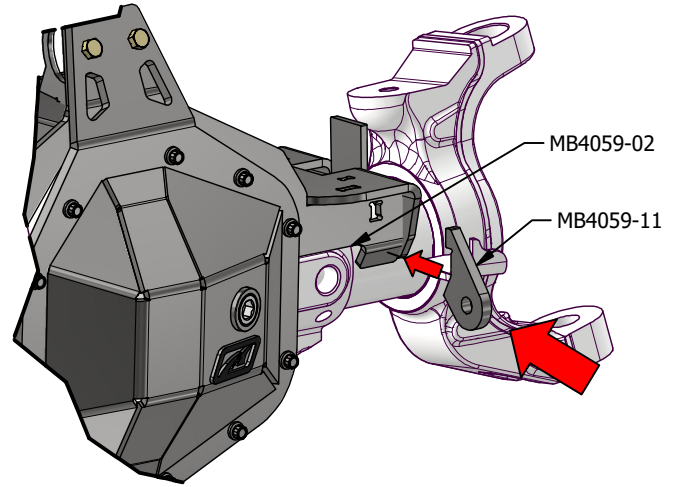
MB4059 - Installation Instructions JK SD Dana 60 Conversion Truss



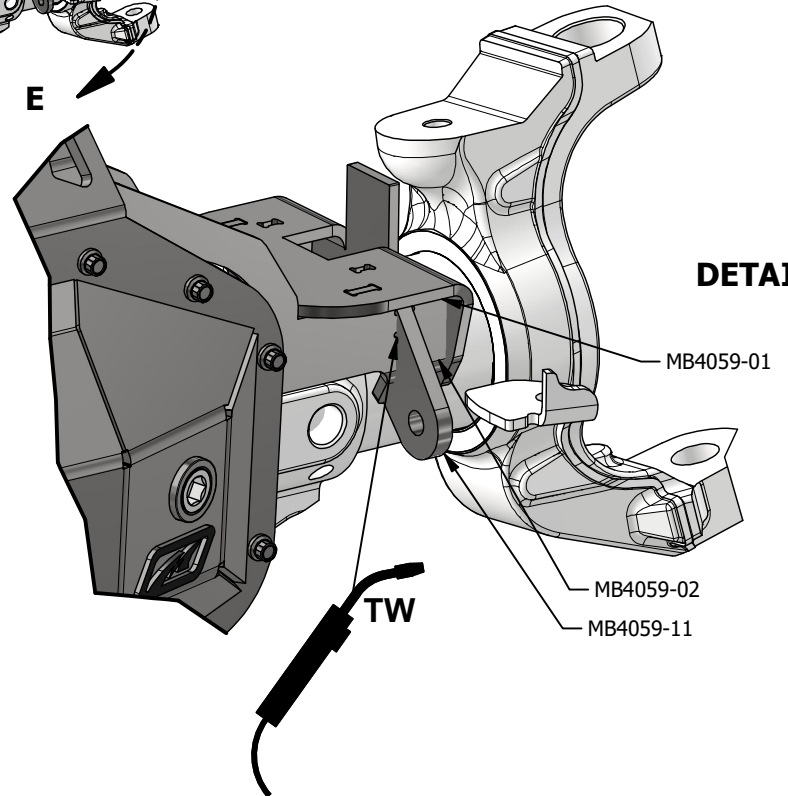
MB4059 - Installation Instructions JK SD Dana 60 Conversion Truss



DETAIL D

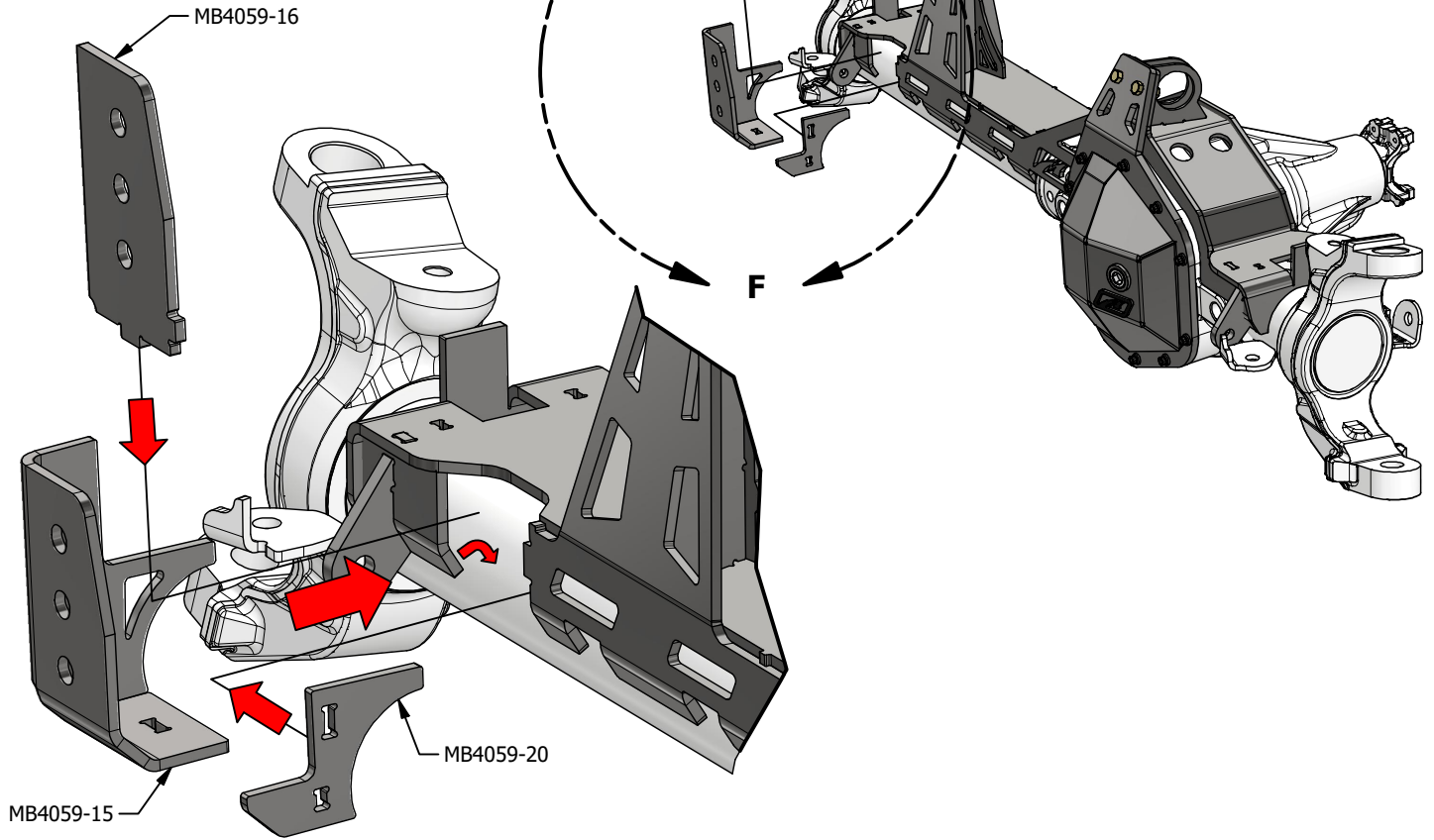


DETAIL E

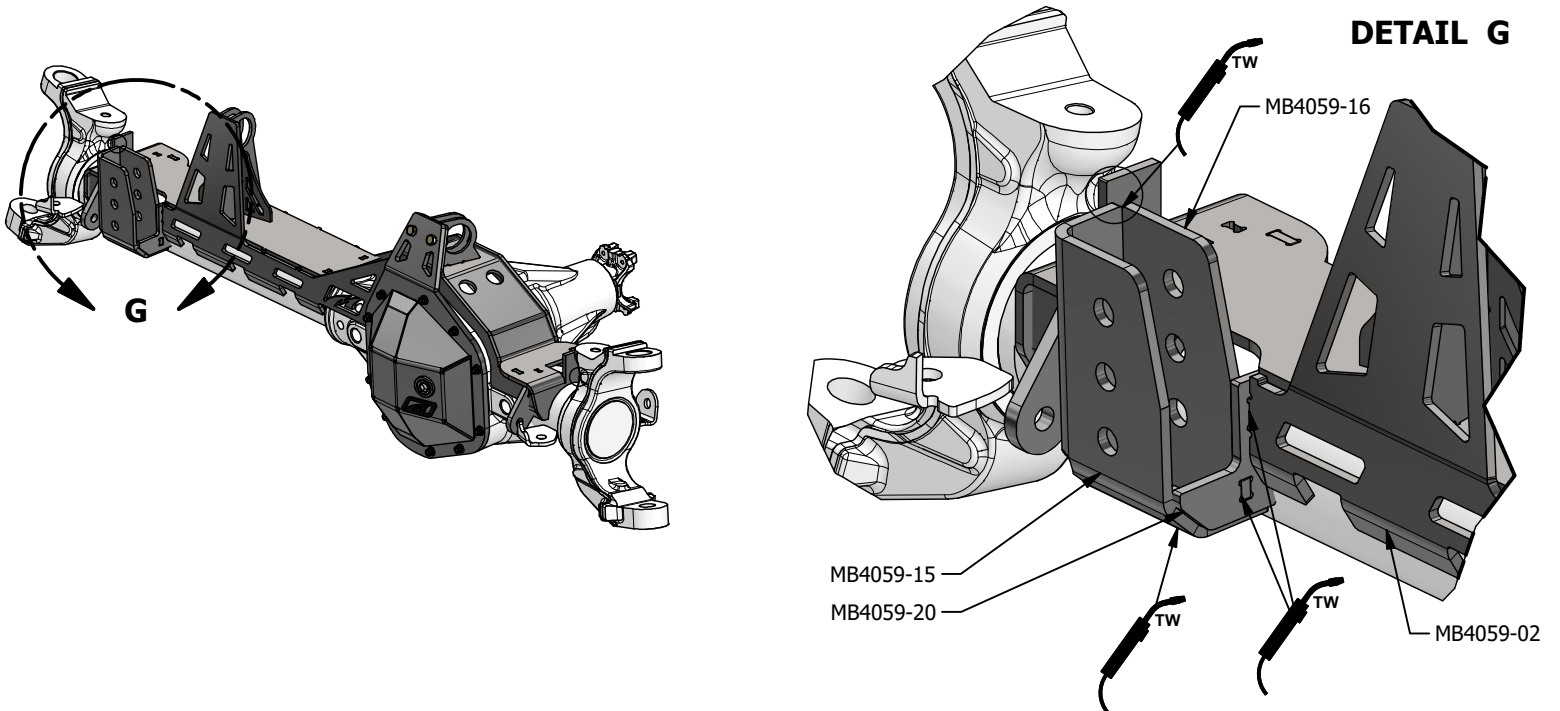


MB4059 - Installation Instructions JK SD Dana 60 Conversion Truss

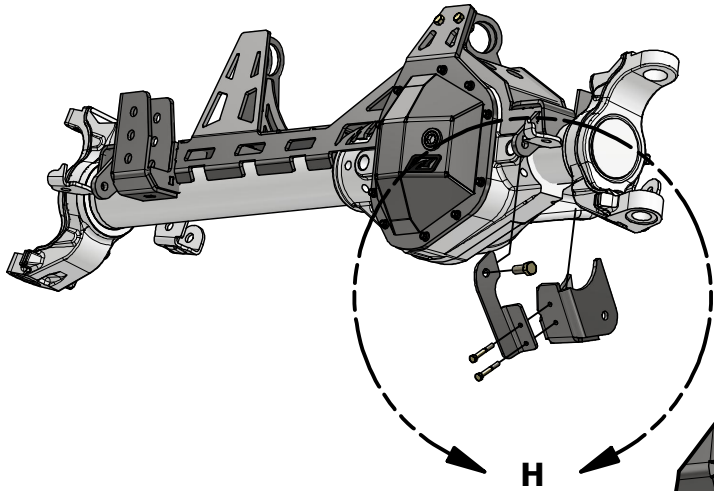
DETAIL F



DETAIL G

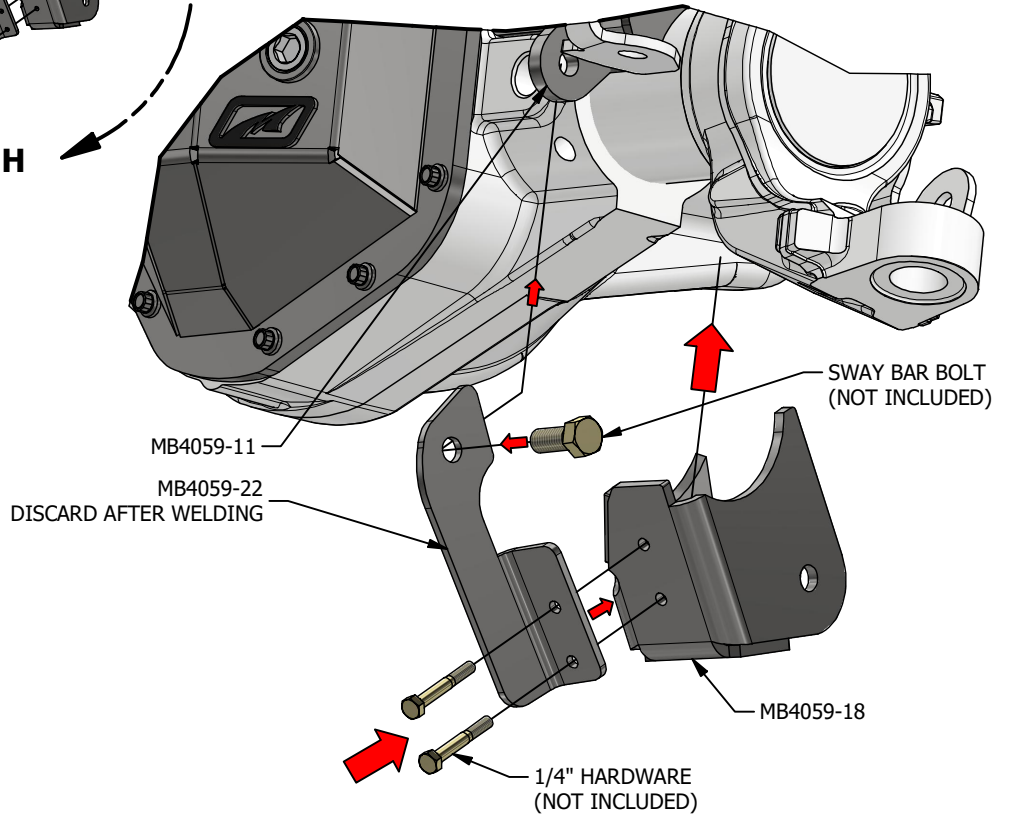


MB4059 - Installation Instructions JK SD Dana 60 Conversion Truss

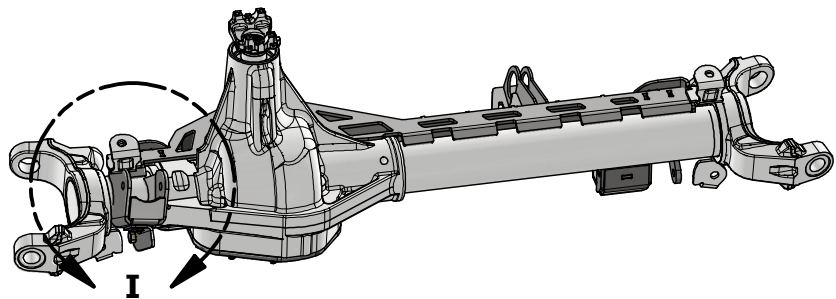
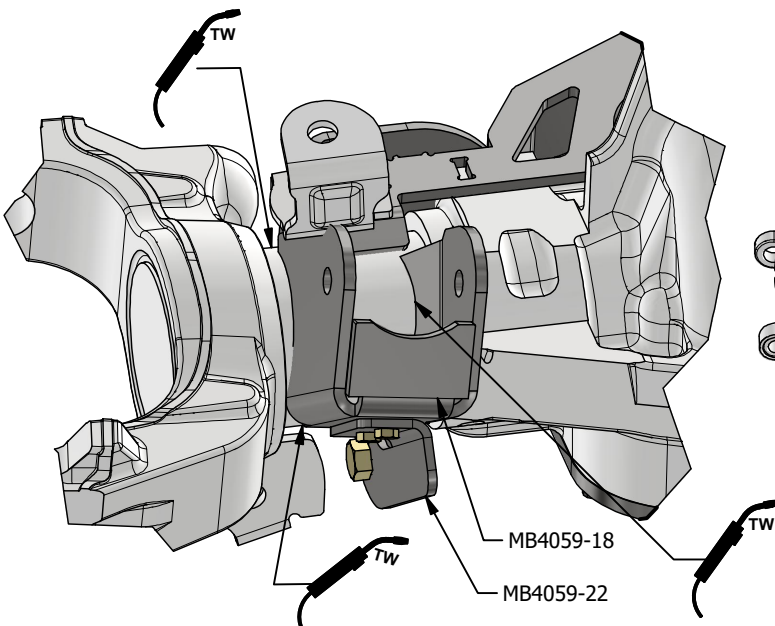


DETAIL H

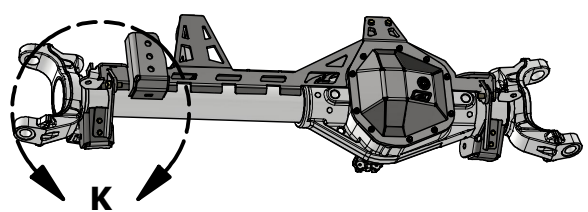
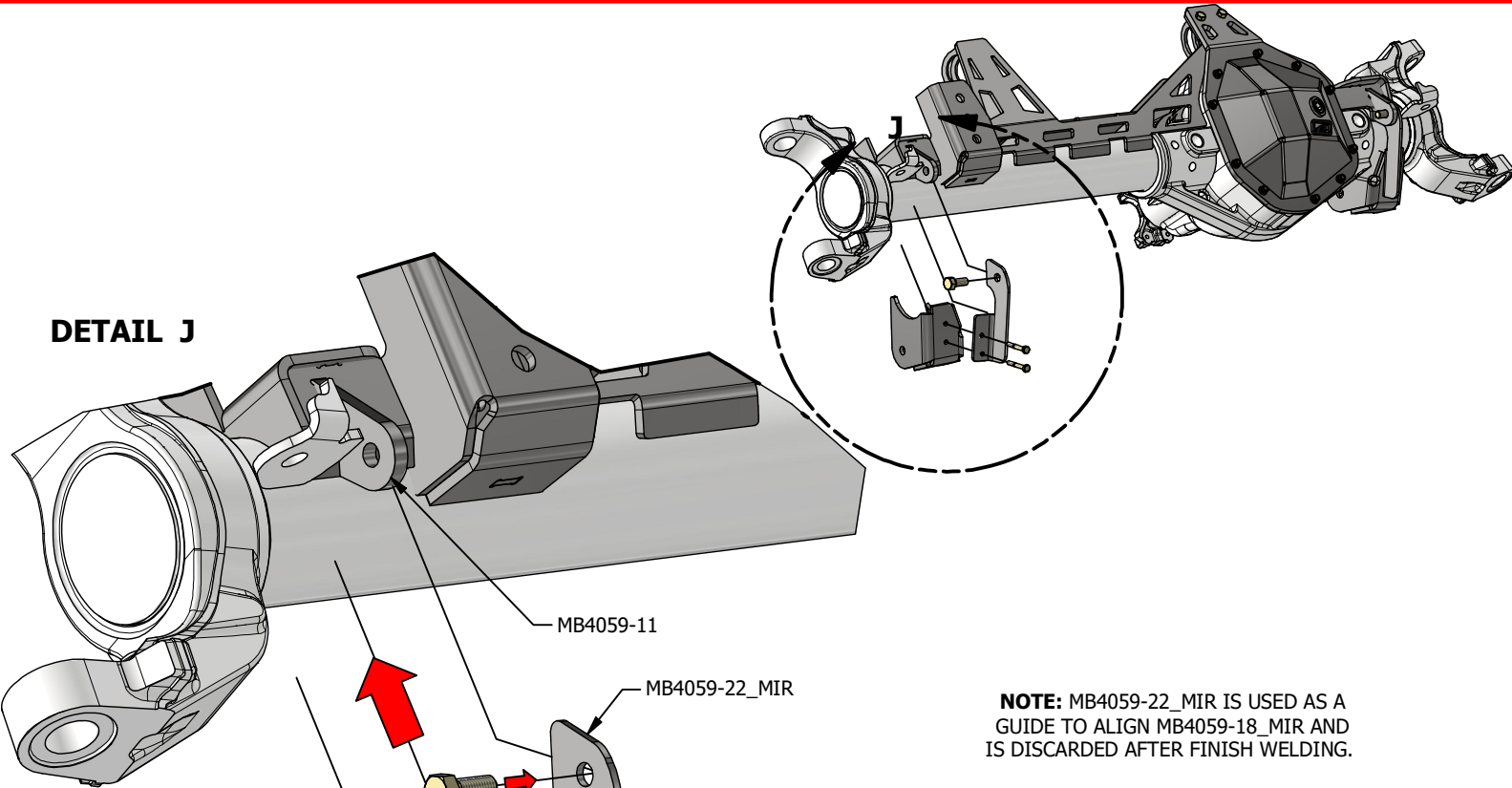
NOTE: MB4059-22 IS USED AS A GUIDE TO ALIGN MB4059-18 AND IS DISCARDED AFTER FINISH WELDING.



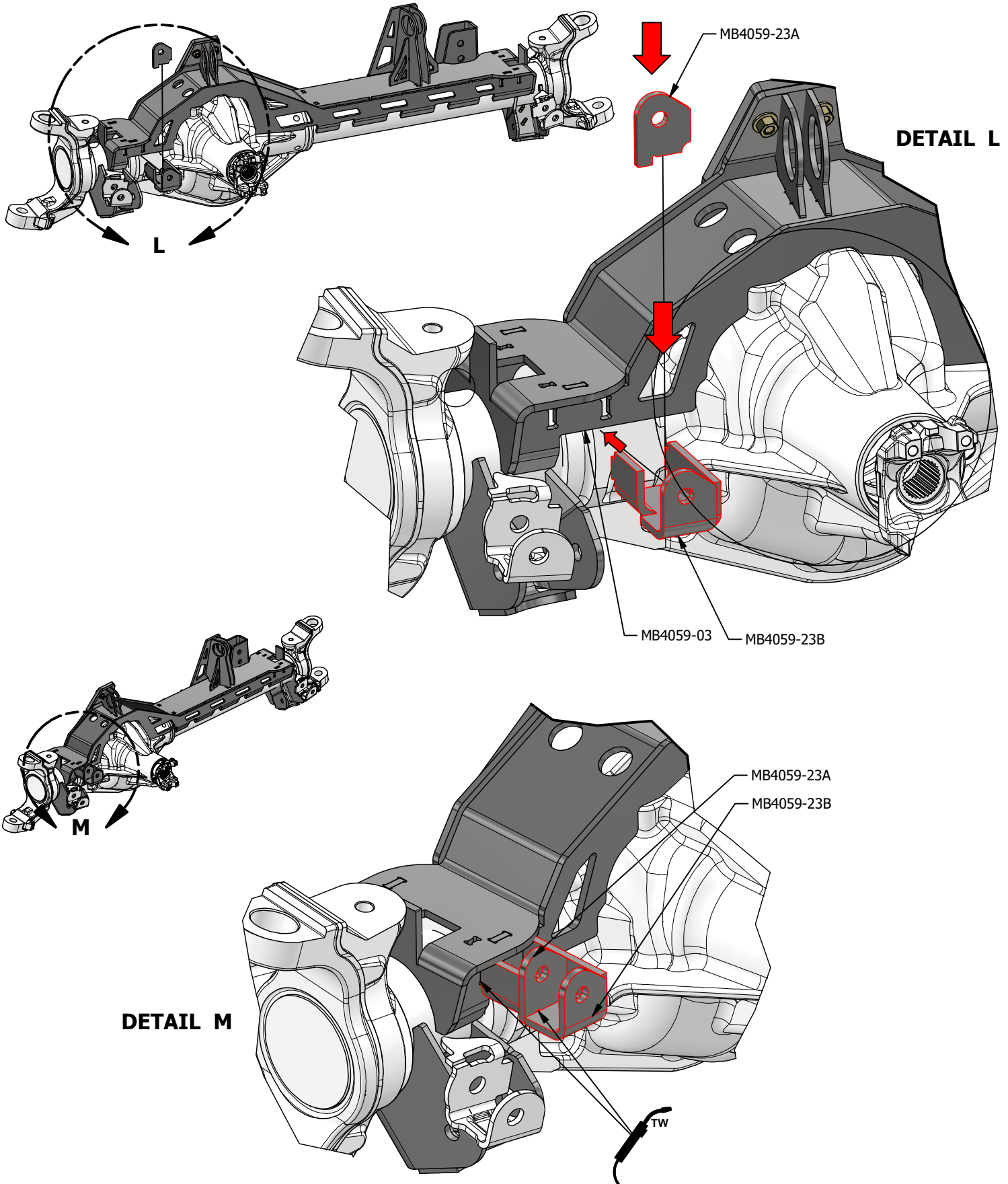
DETAIL I



MB4059 - Installation Instructions JK SD Dana 60 Conversion Truss

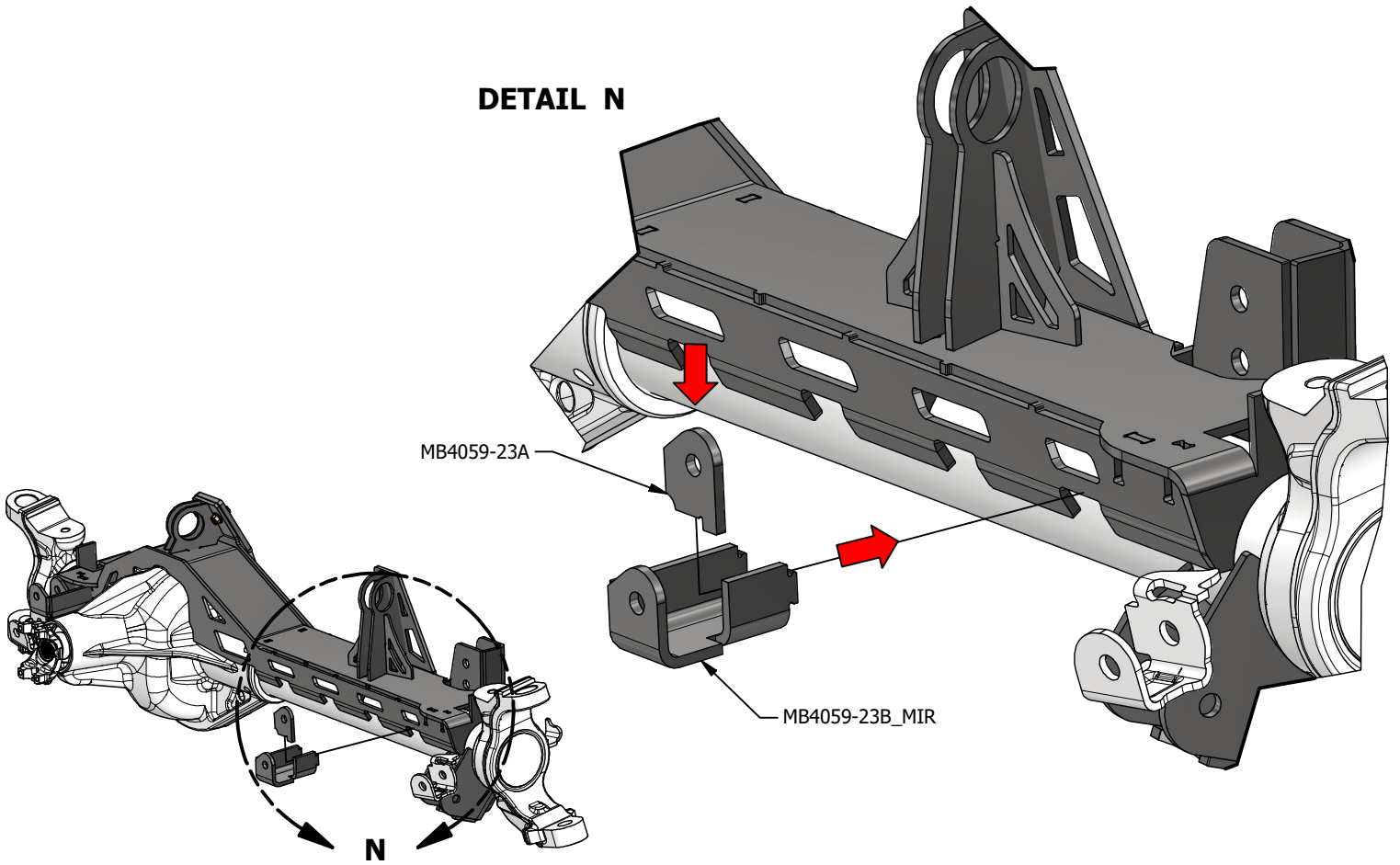


MB4059 - Installation Instructions JK SD Dana 60 Conversion Truss

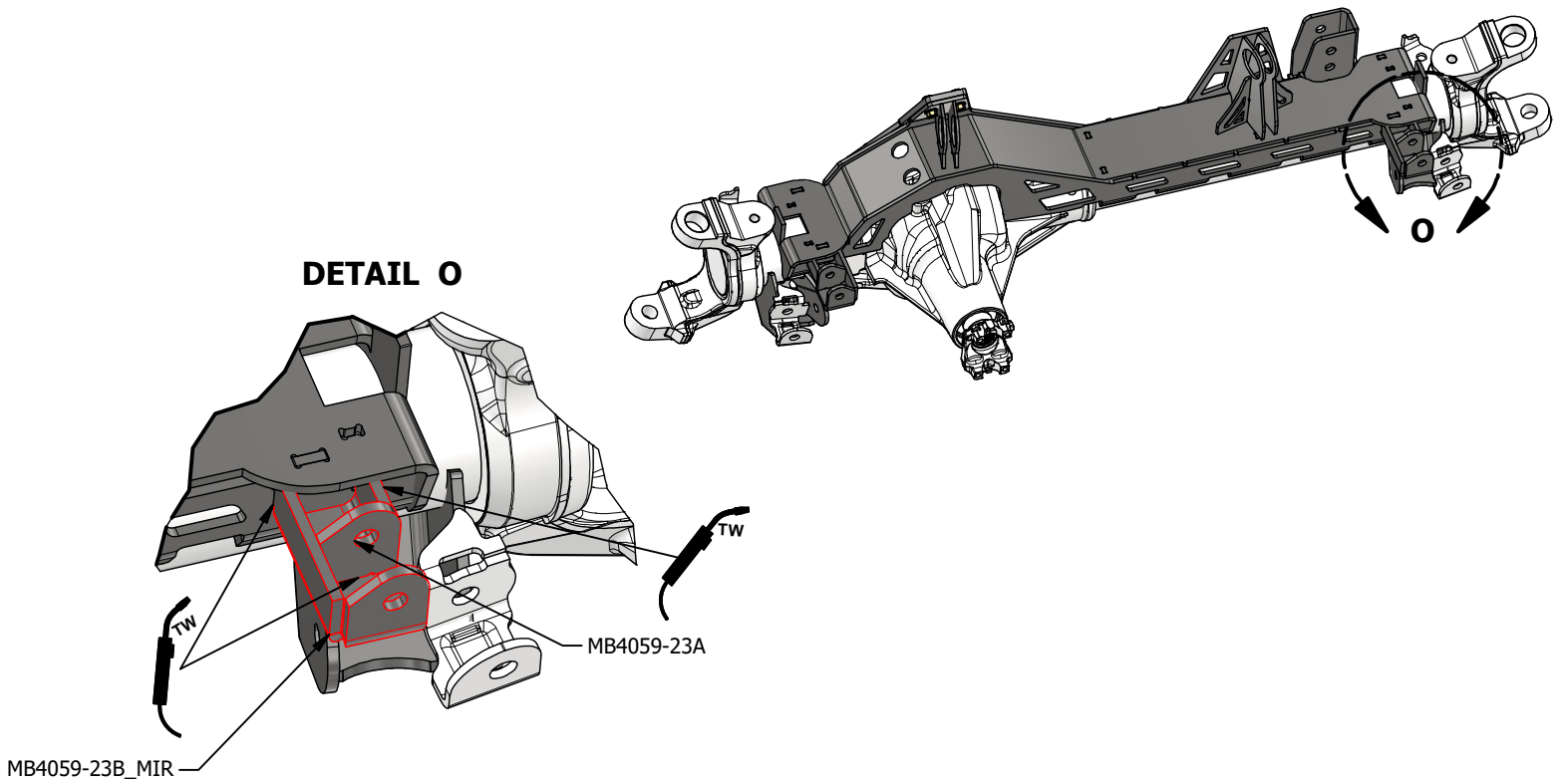


MB4059 - Installation Instructions JK SD Dana 60 Conversion Truss

DETAIL N

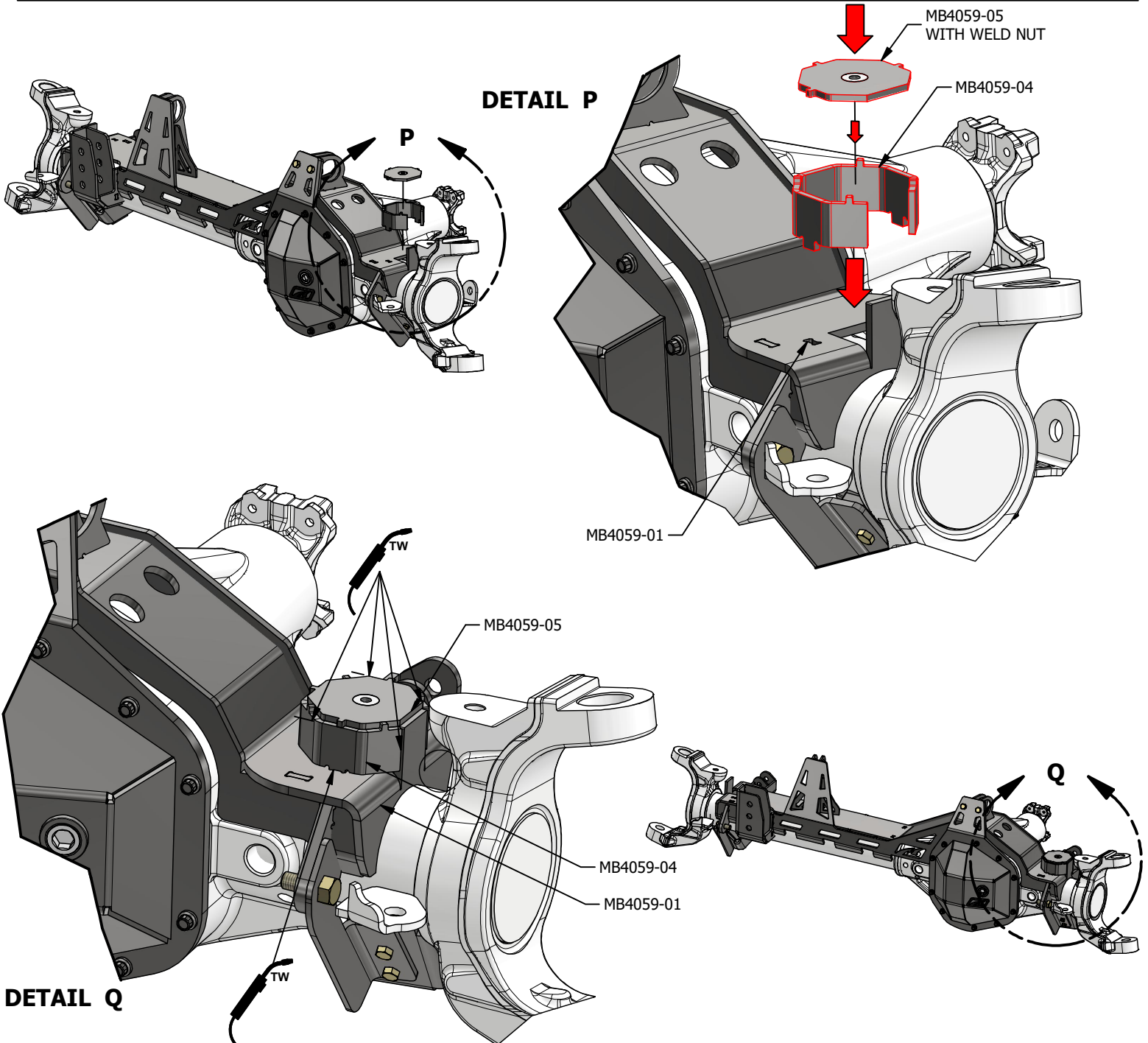
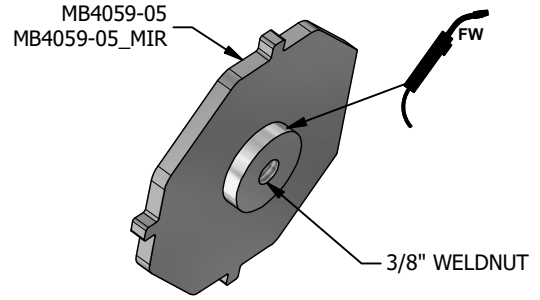
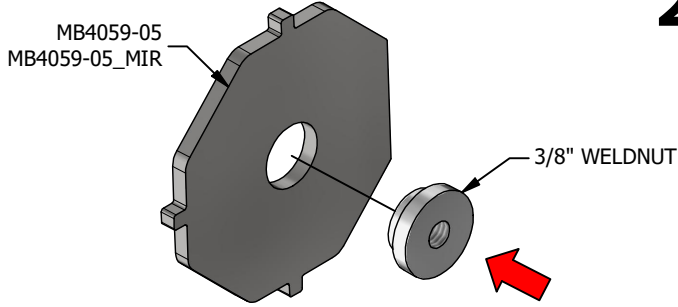


DETAIL O

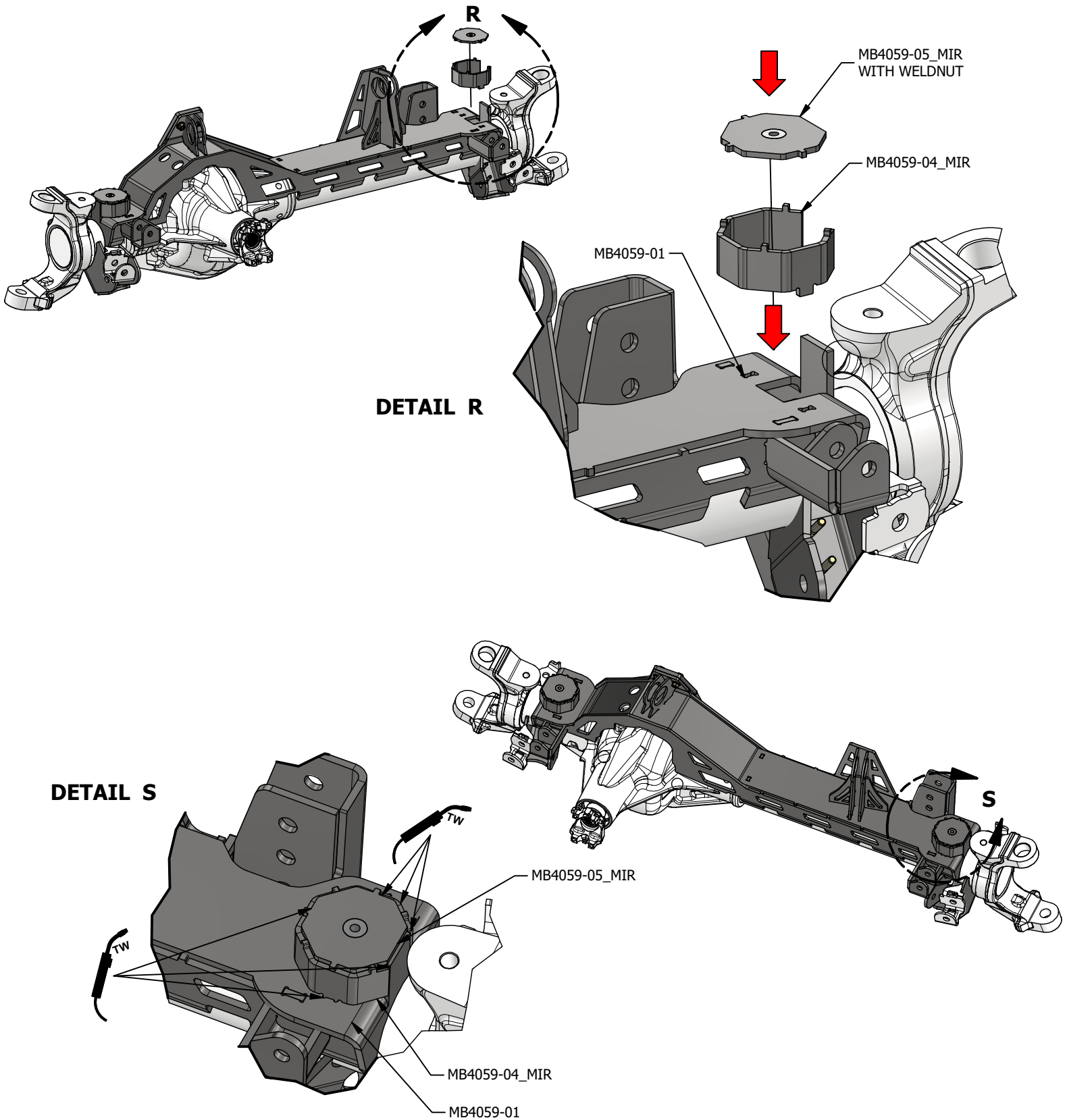


MB4059 - Installation Instructions JK SD Dana 60 Conversion Truss

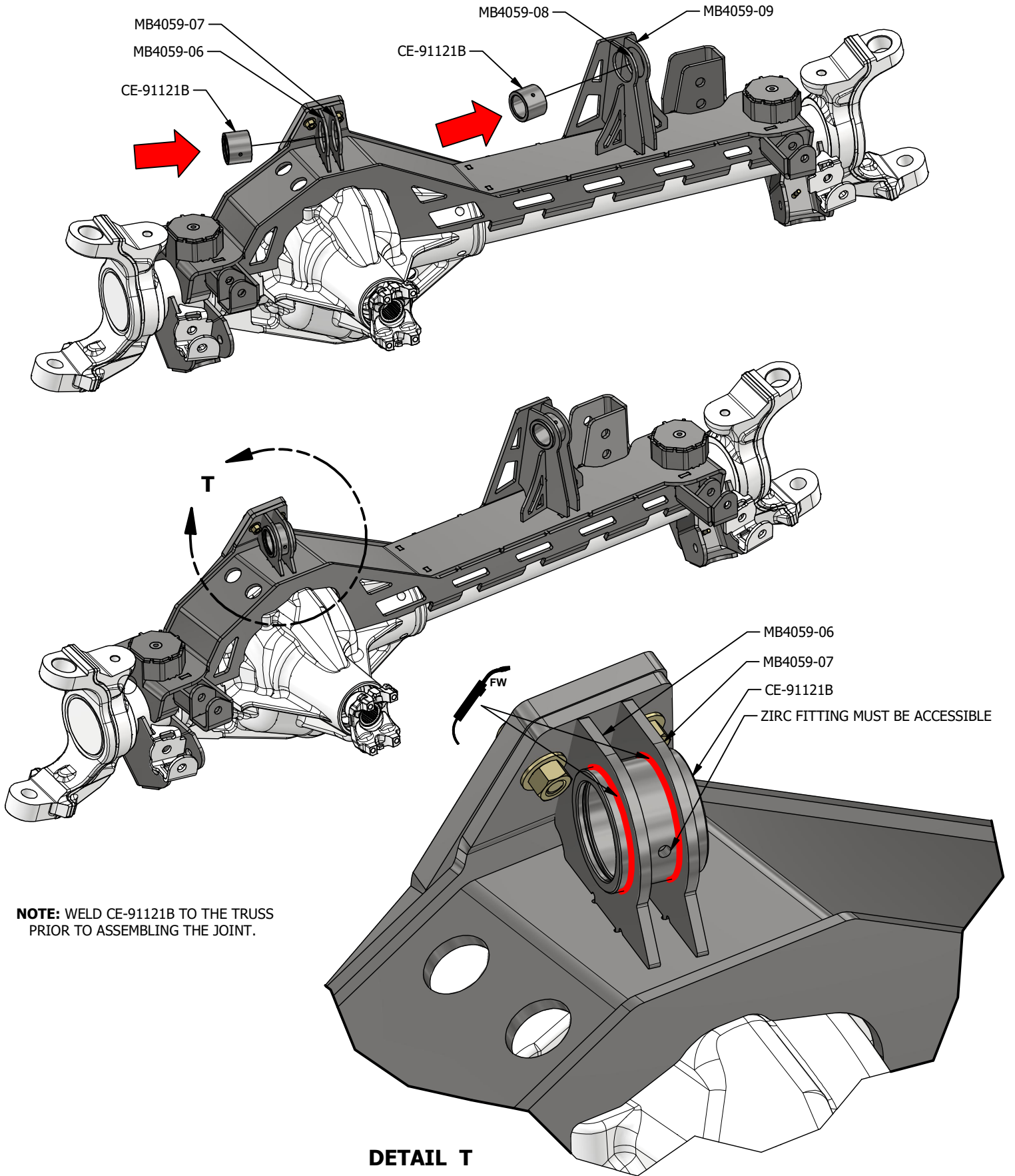
2X



MB4059 - Installation Instructions JK SD Dana 60 Conversion Truss



MB4059 - Installation Instructions JK SD Dana 60 Conversion Truss

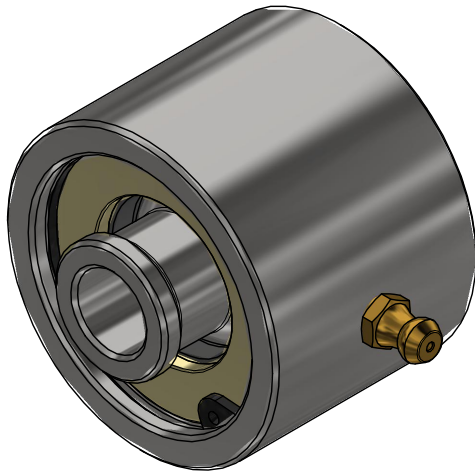


NOTE: WELD CE-91121B TO THE TRUSS PRIOR TO ASSEMBLING THE JOINT.

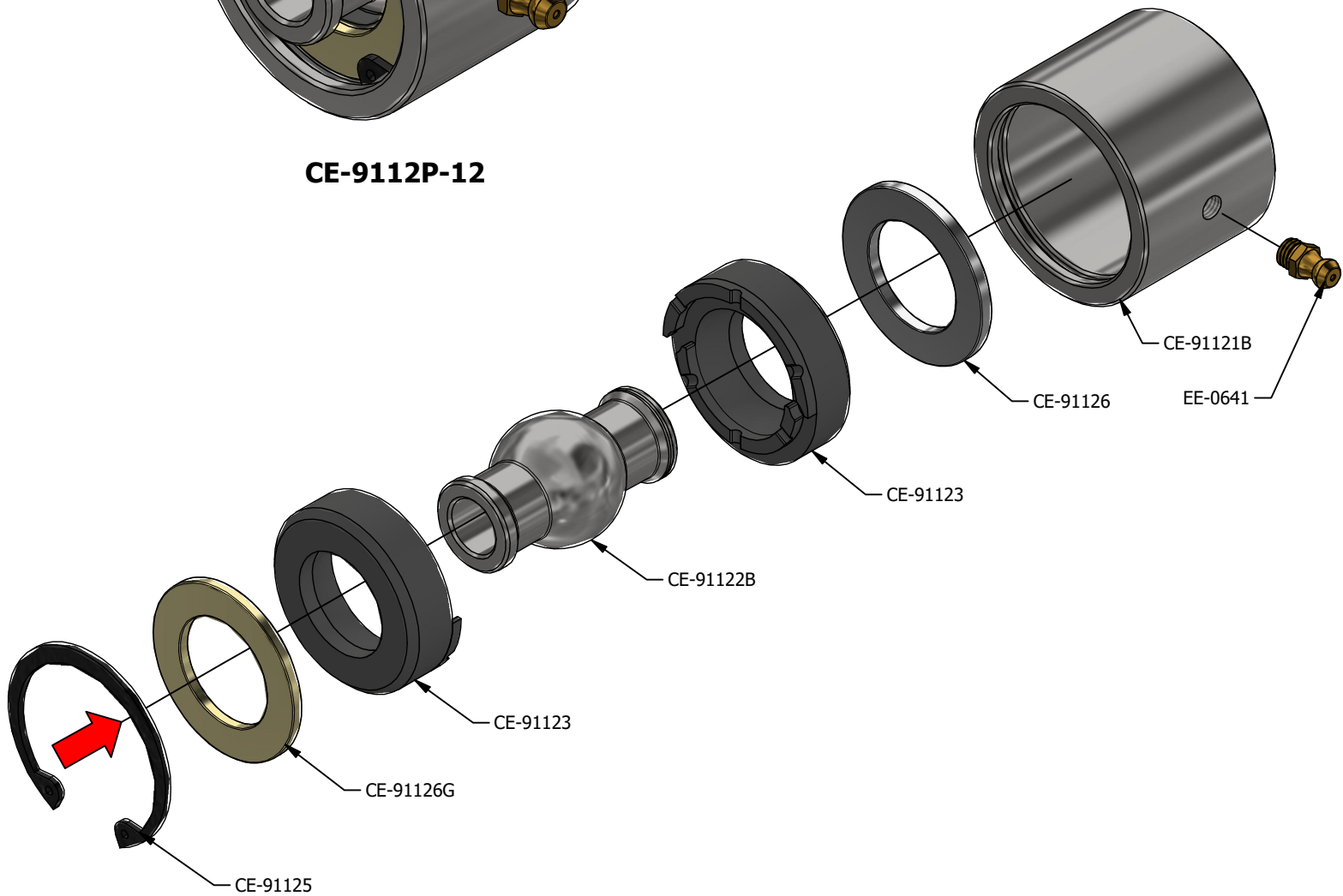
DETAIL T

MB4059 - Installation Instructions JK SD Dana 60 Conversion Truss

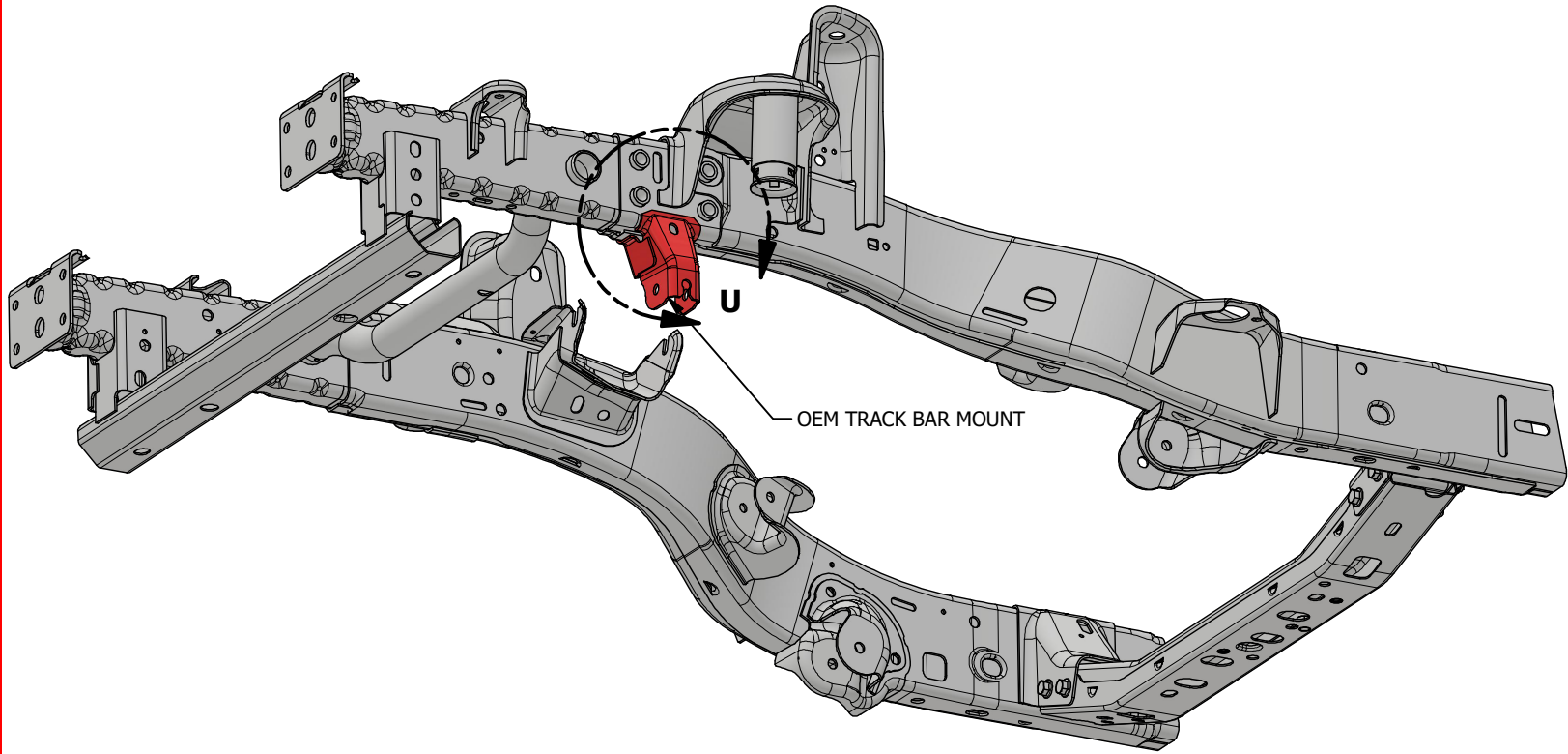
2X INCLUDED WITH KIT



CE-9112P-12



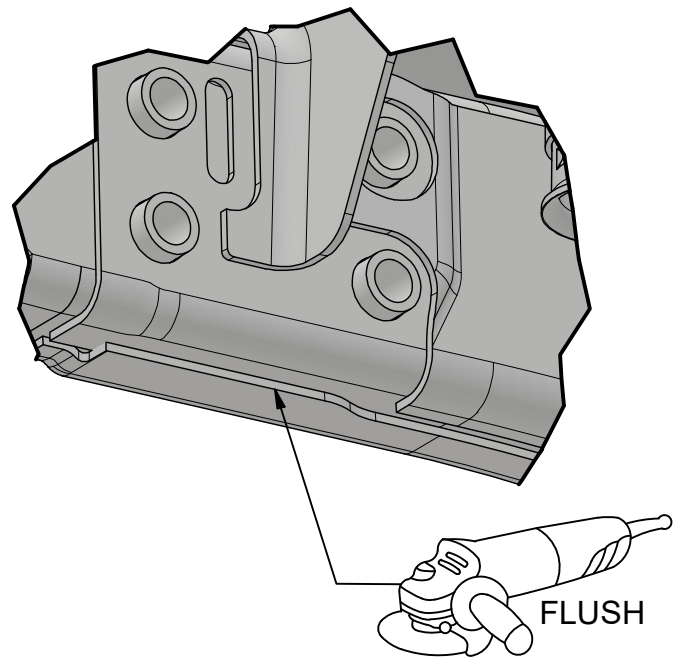
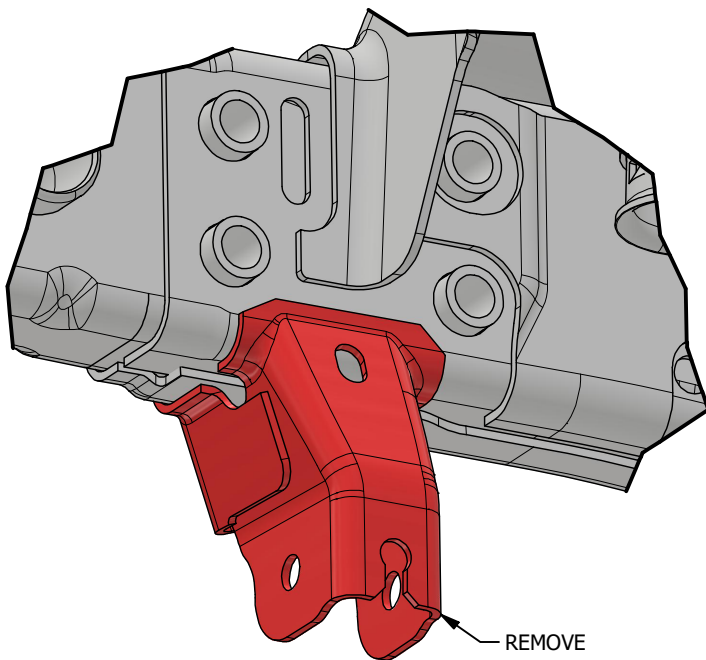
MB4059 - Installation Instructions JK SD Dana 60 Conversion Truss



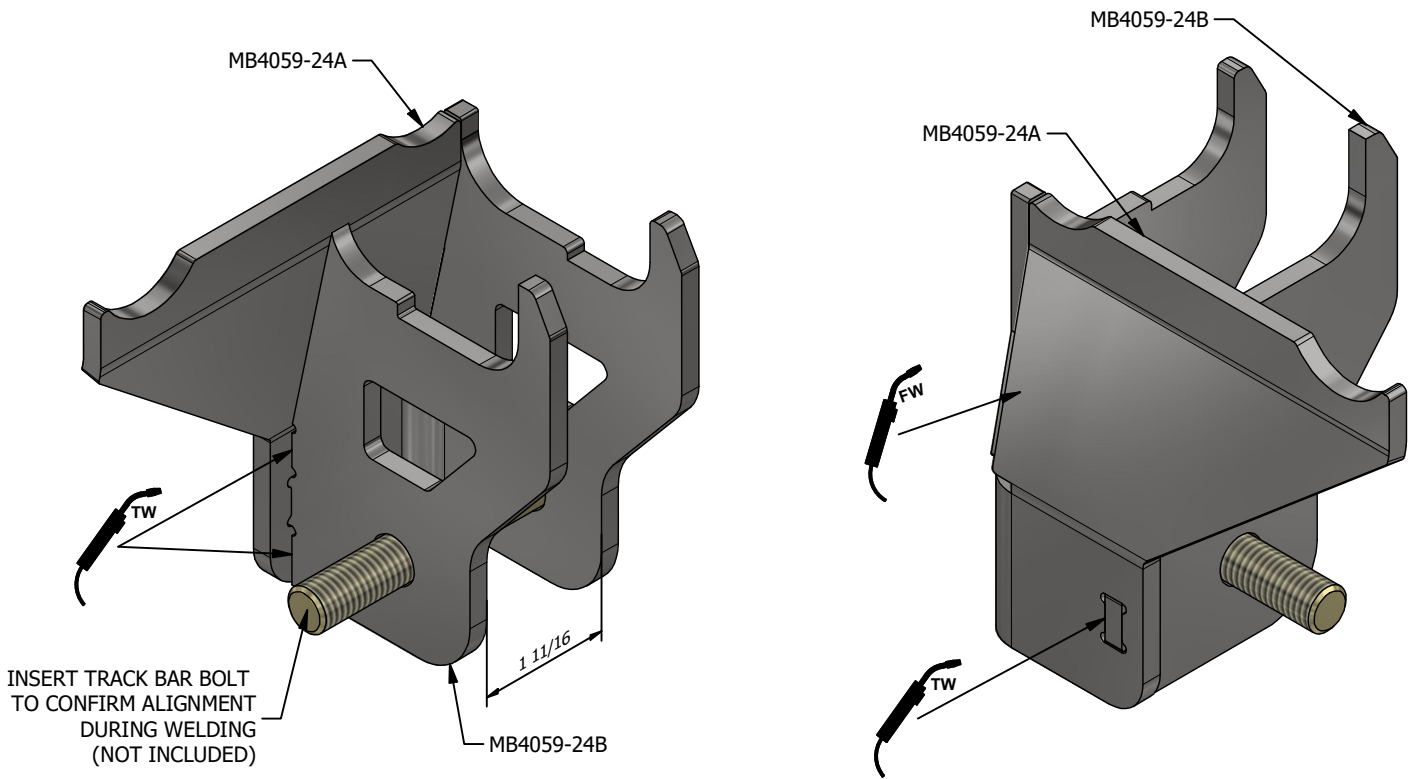
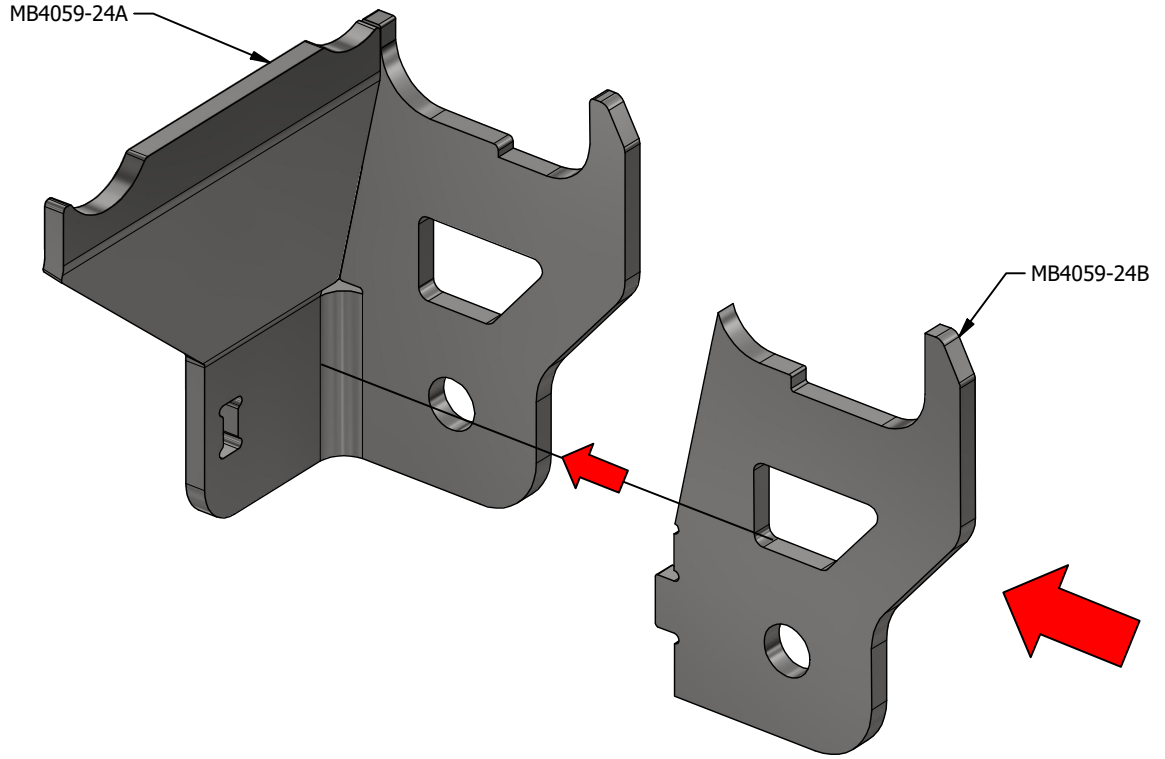
DETAIL U

BEFORE

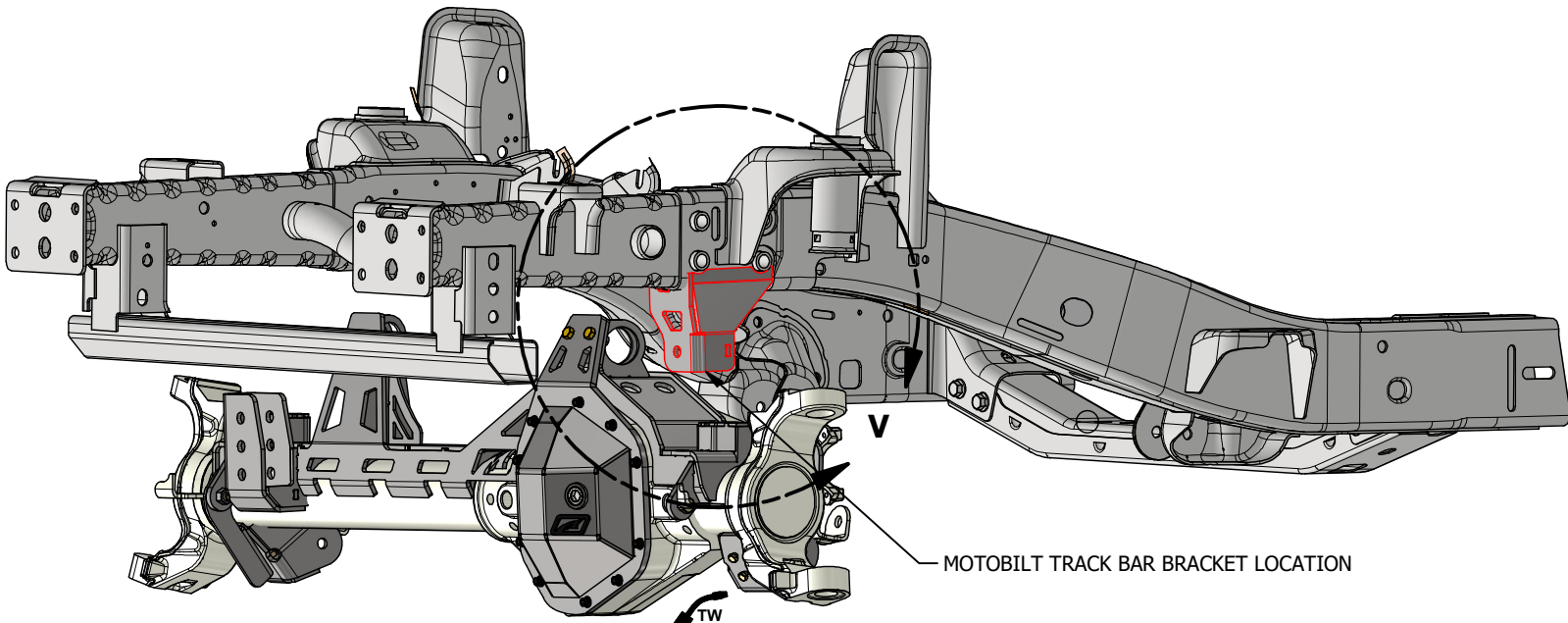
AFTER



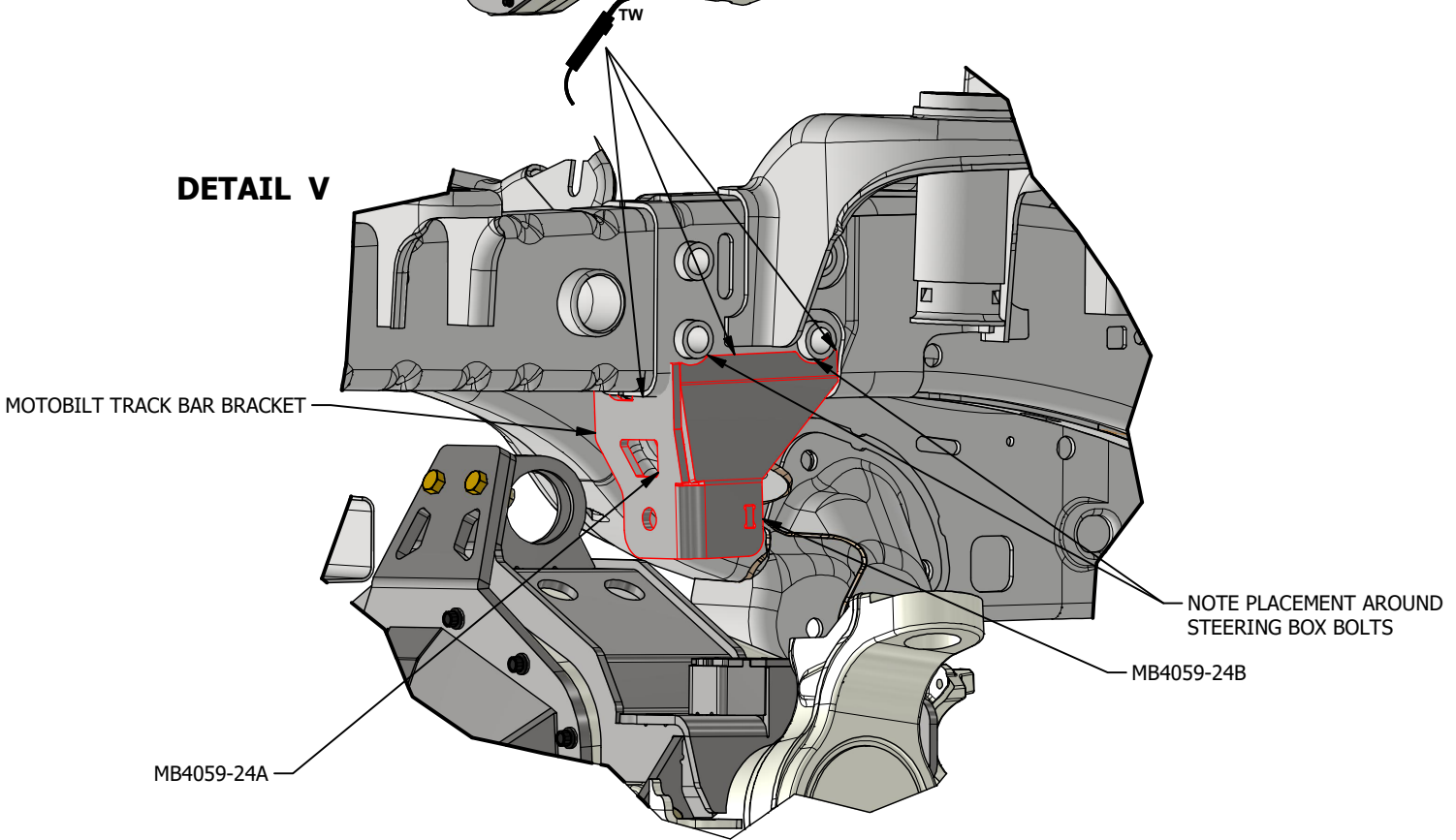
MB4059 - Installation Instructions JK SD Dana 60 Conversion Truss



MB4059 - Installation Instructions JK SD Dana 60 Conversion Truss



DETAIL V



BOLT THE AXLE TO THE LINKS AND TEST FIT ALL COMPONENTS. CYCLE THE SUSPENSION AND STEERING WITH THE TIRES. ONCE THE FITMENT HAS BEEN CONFIRMED, PROCEED TO FINISH WELDING