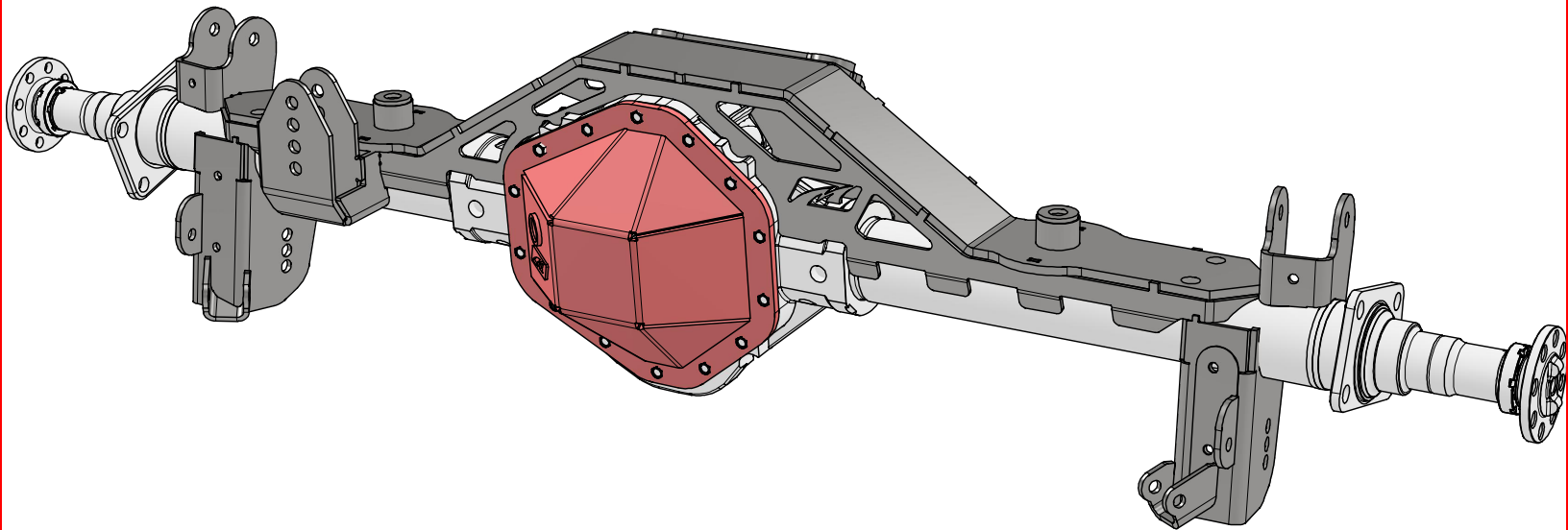
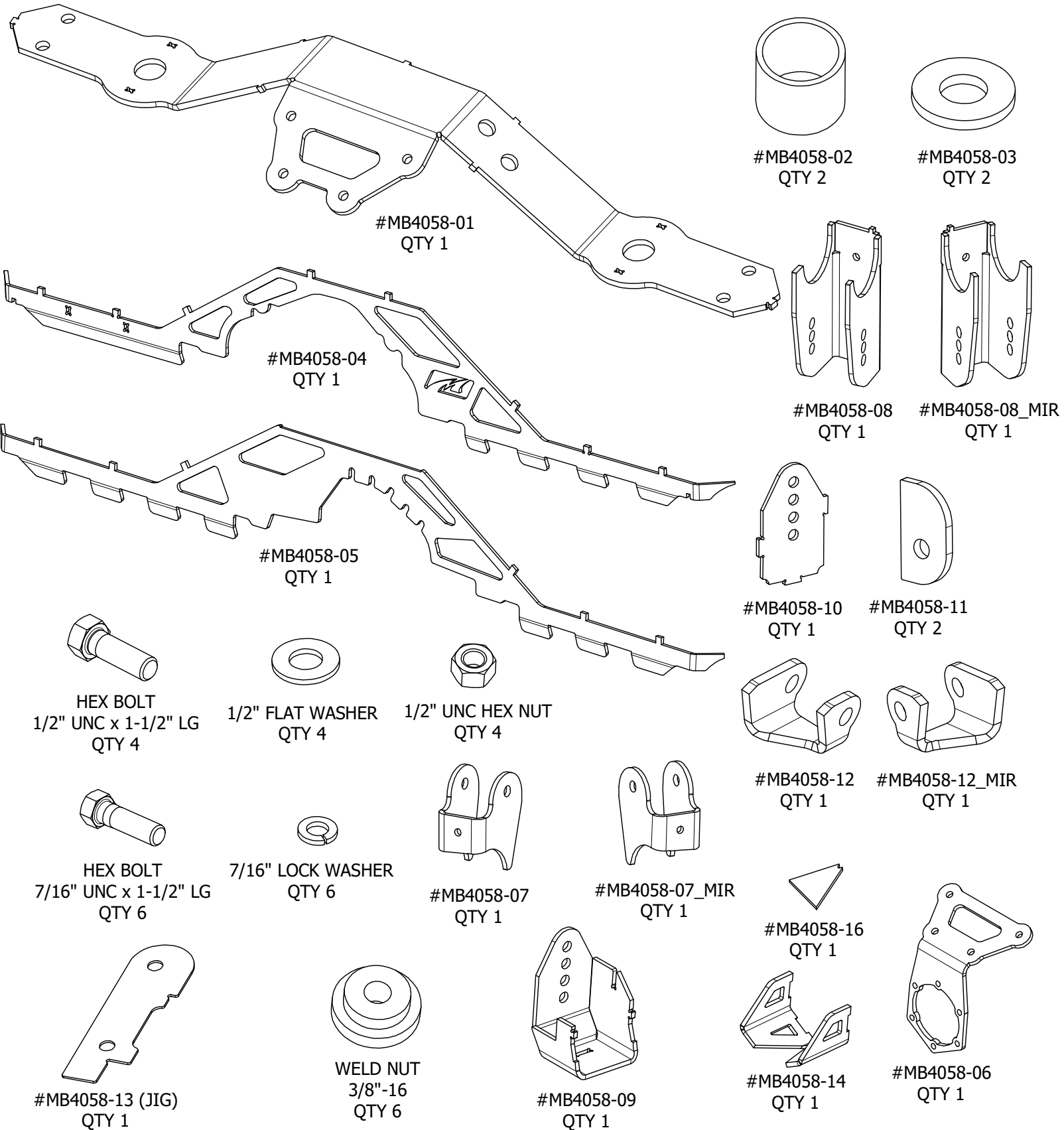


14 BOLT ONE TON CONVERSION TRUSS FOR JK

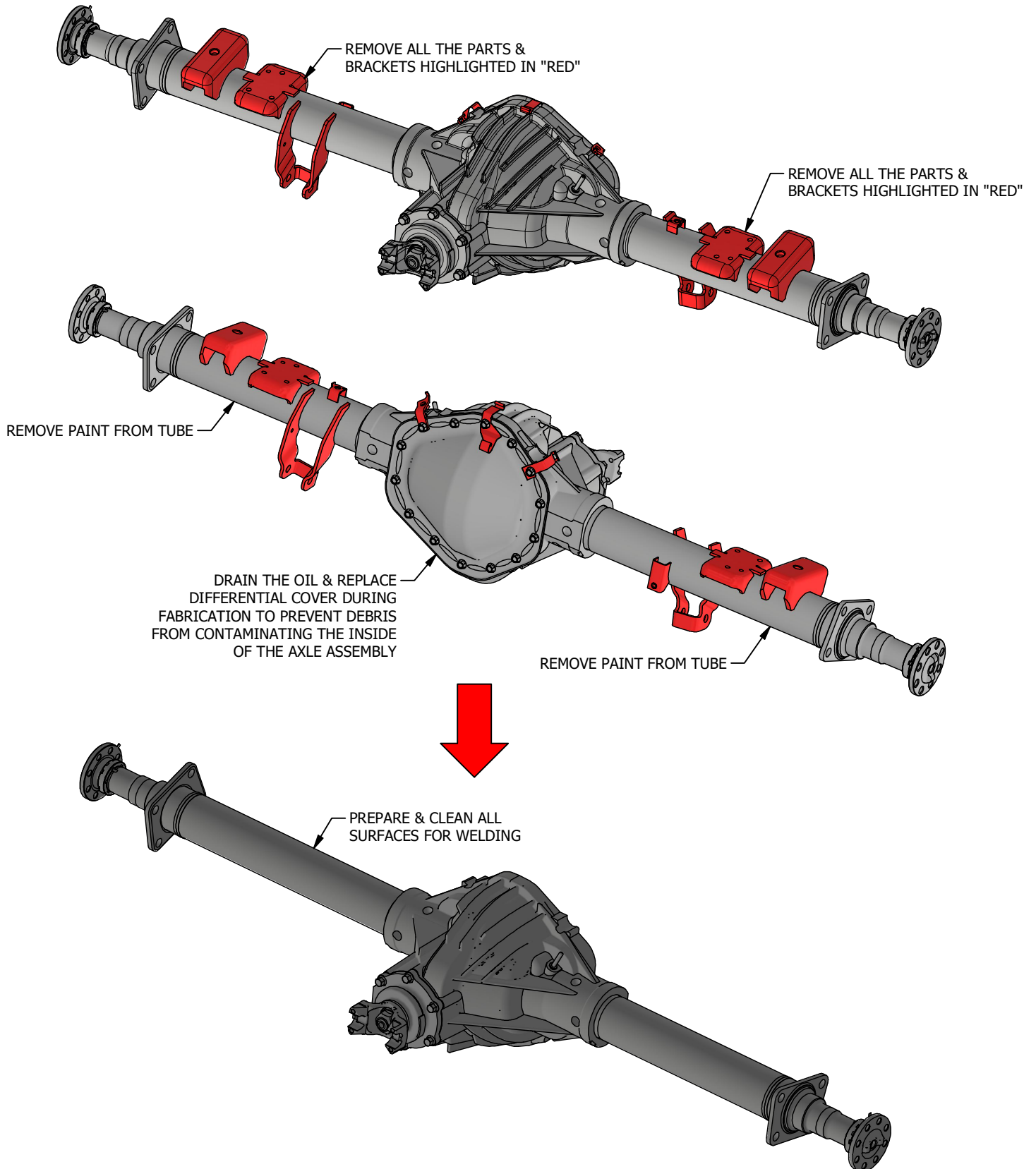


ASSEMBLY INSTRUCTIONS

MB4058 - Assembly Instructions 14 Bolt One Ton Conversion Truss
KIT COMPONENTS


MB4058 - Assembly Instructions 14 Bolt One Ton Conversion Truss

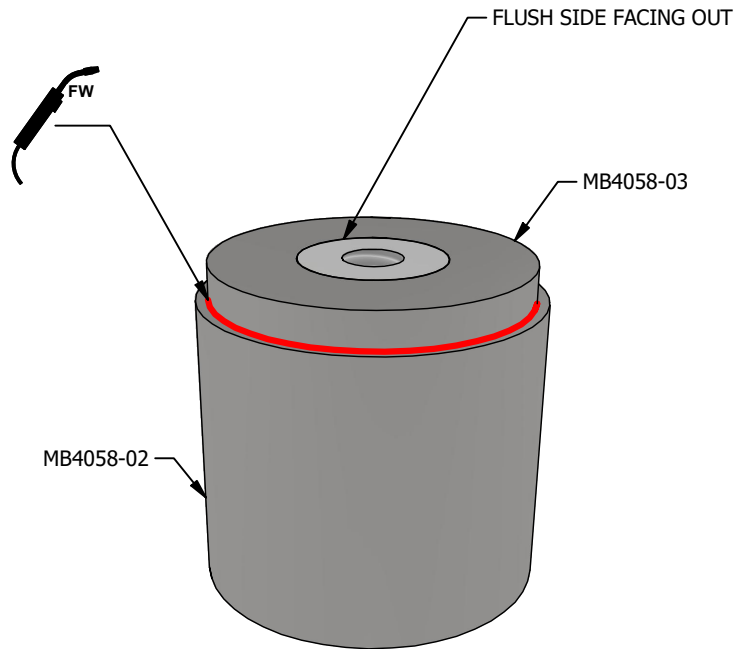
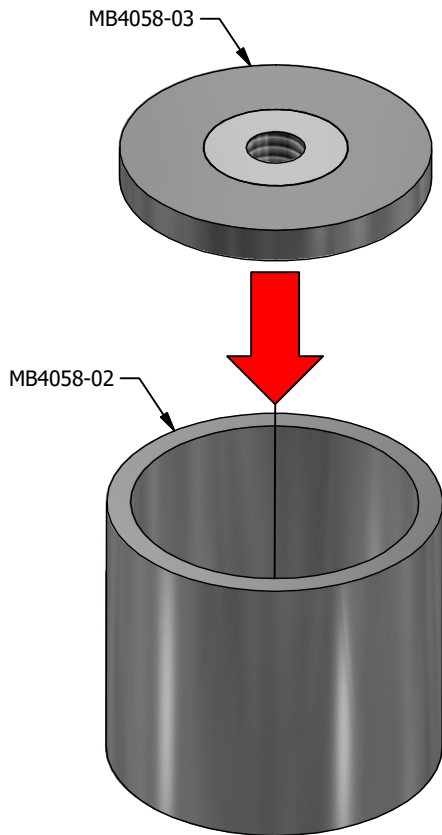
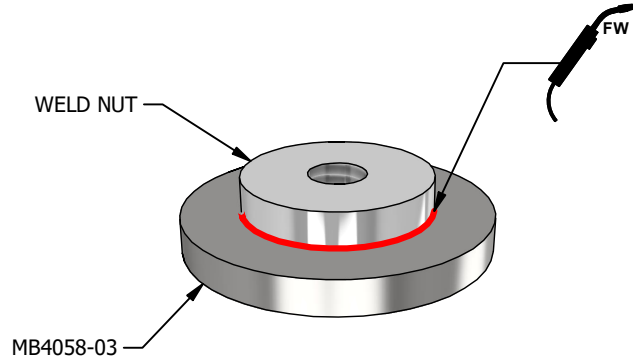
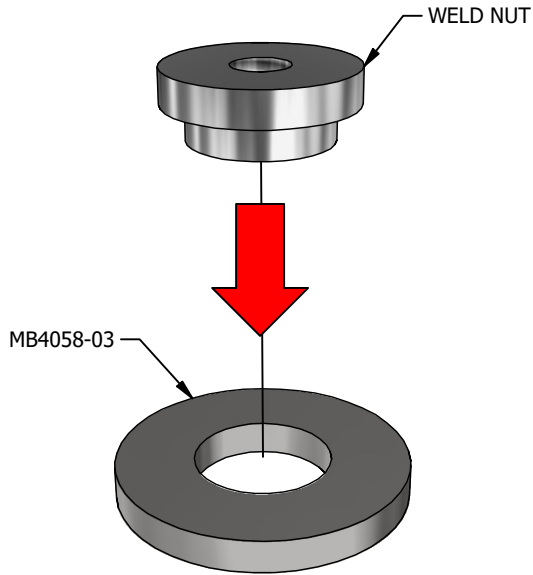
TEAR DOWN



MB4058 - Assembly Instructions 14 Bolt One Ton Conversion Truss

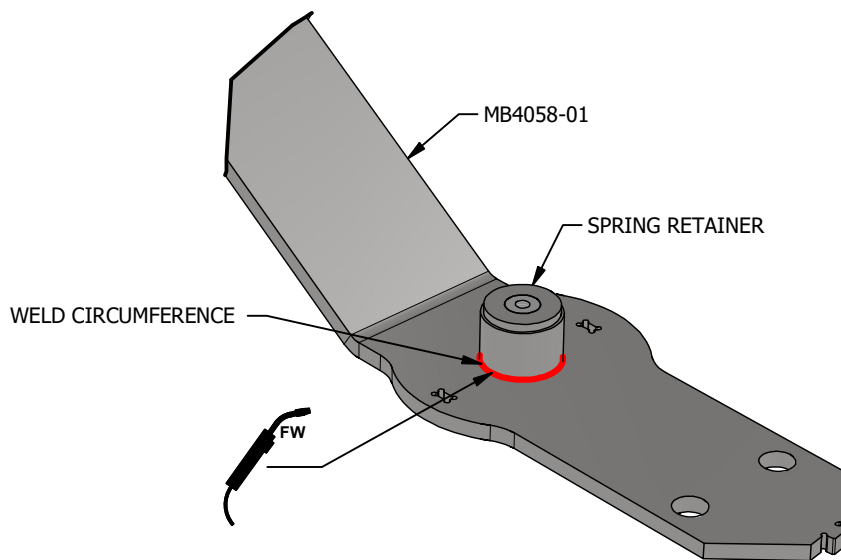
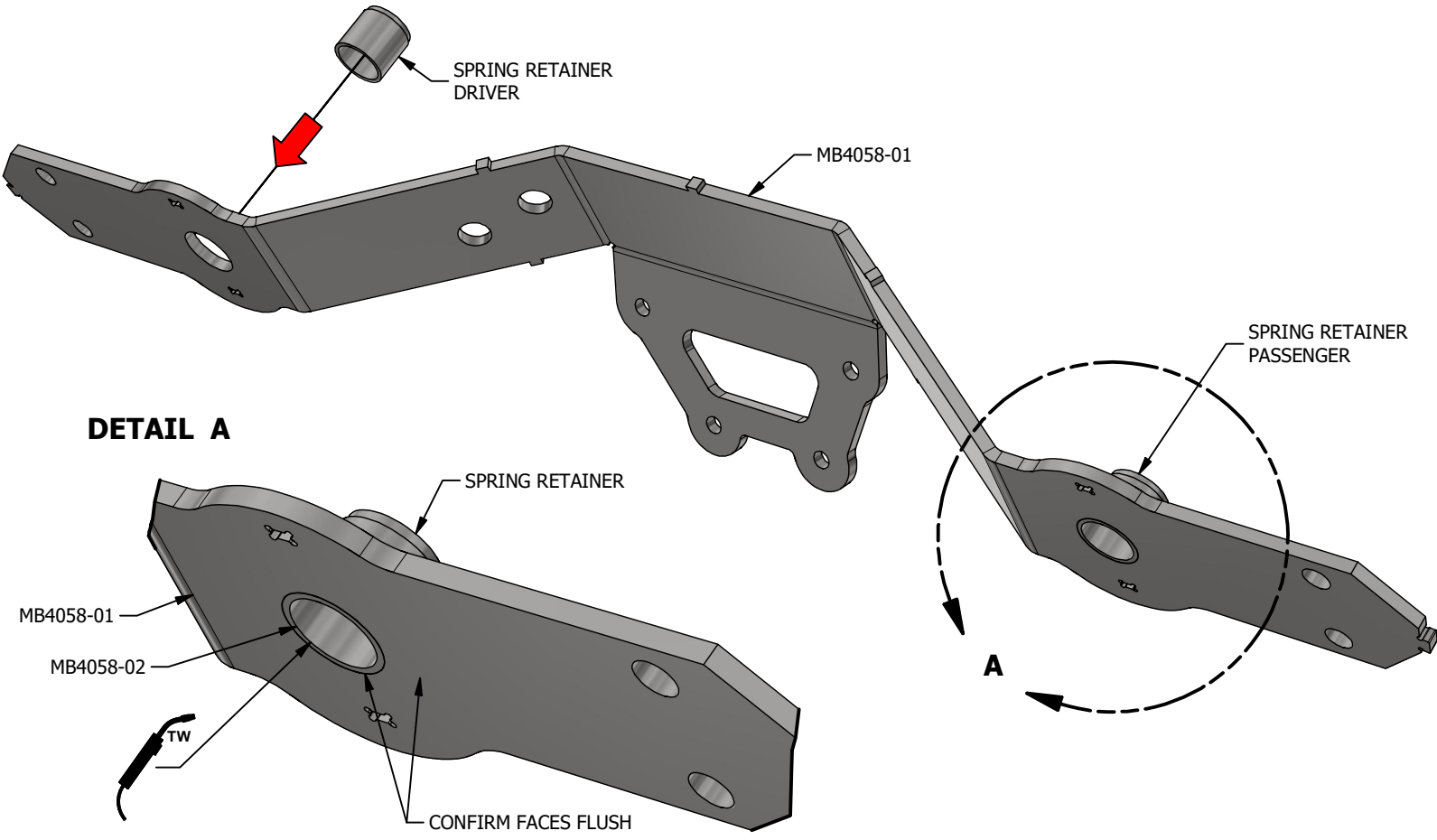
ASSEMBLY - SPRING RETAINER

REPEAT FOR DRIVER AND PASSENGER SIDE



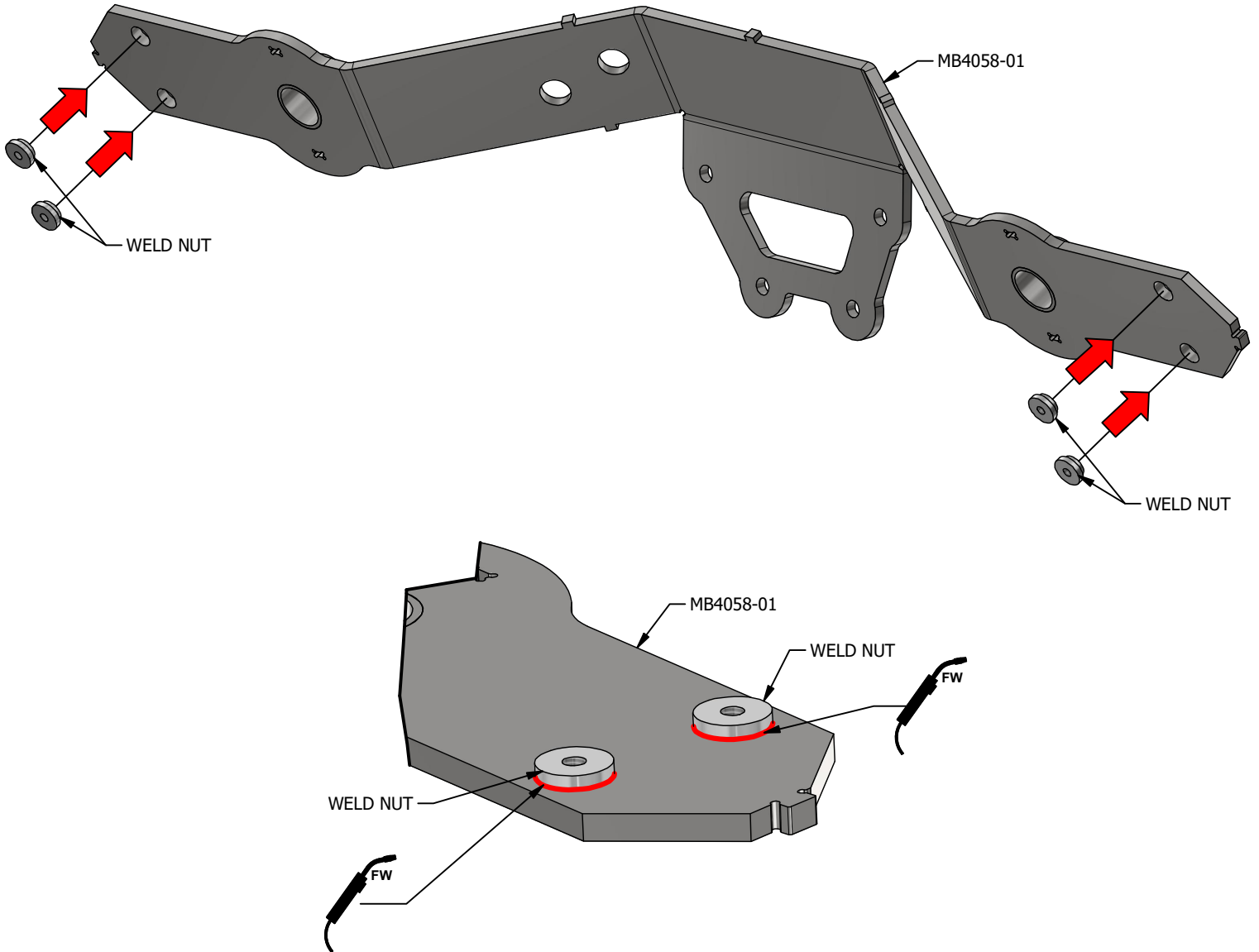
MB4058 - Assembly Instructions 14 Bolt One Ton Conversion Truss

ASSEMBLY - SPRING RETAINER



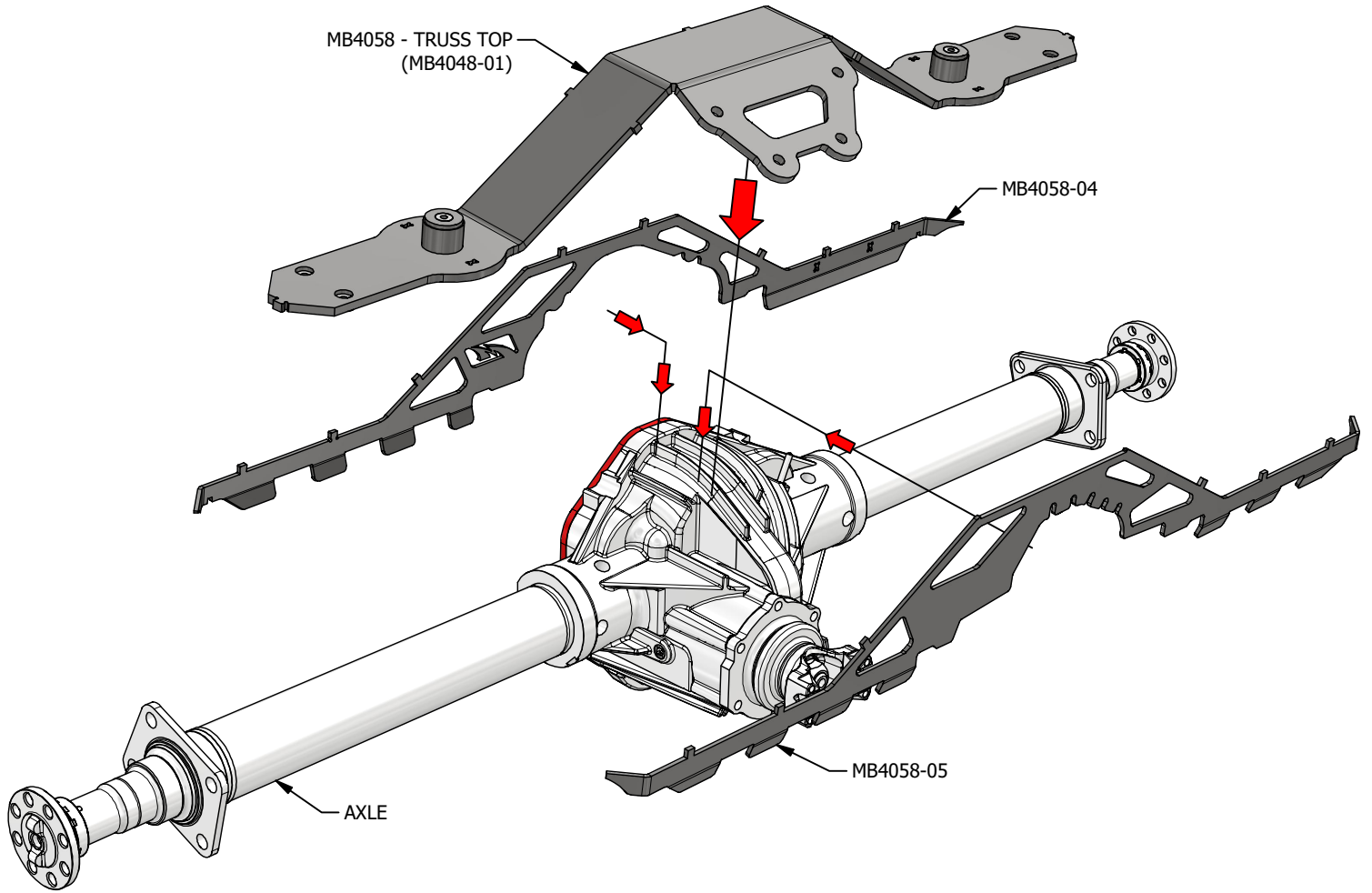
MB4058 - Assembly Instructions 14 Bolt One Ton Conversion Truss

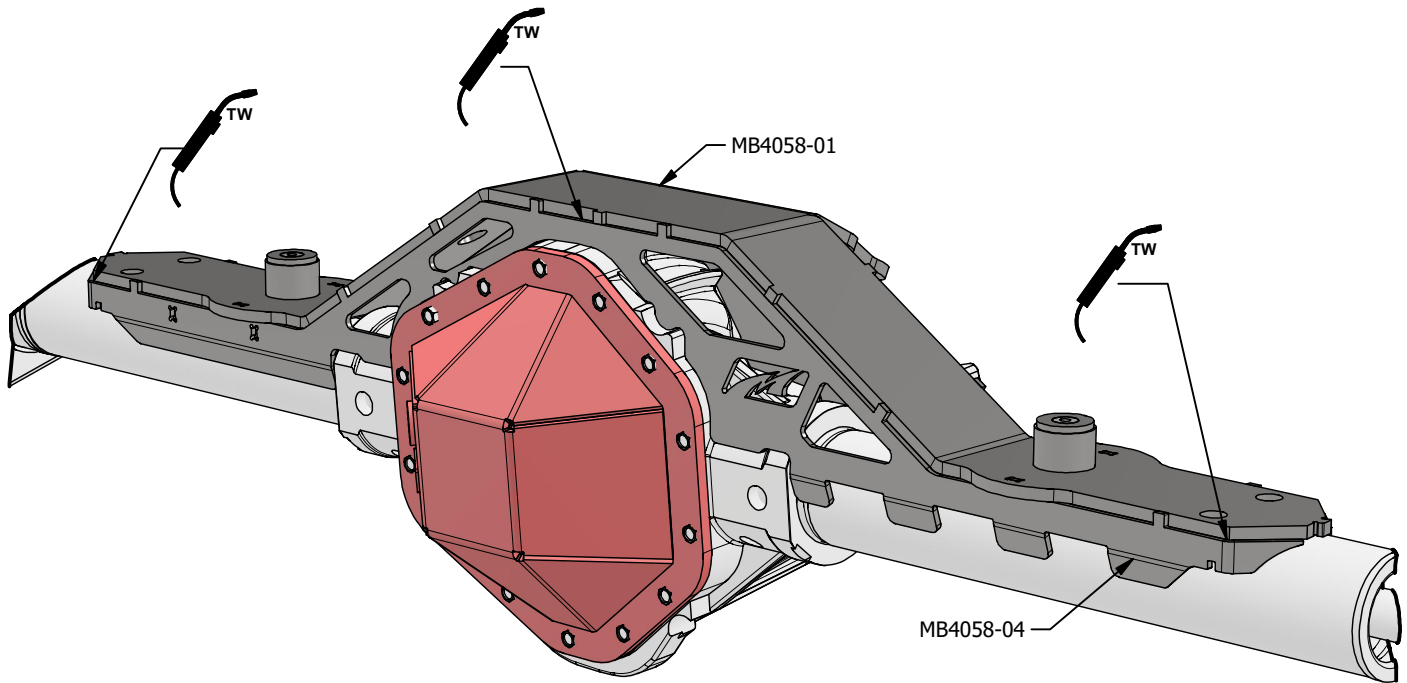
ASSEMBLY - TRUSS TOP



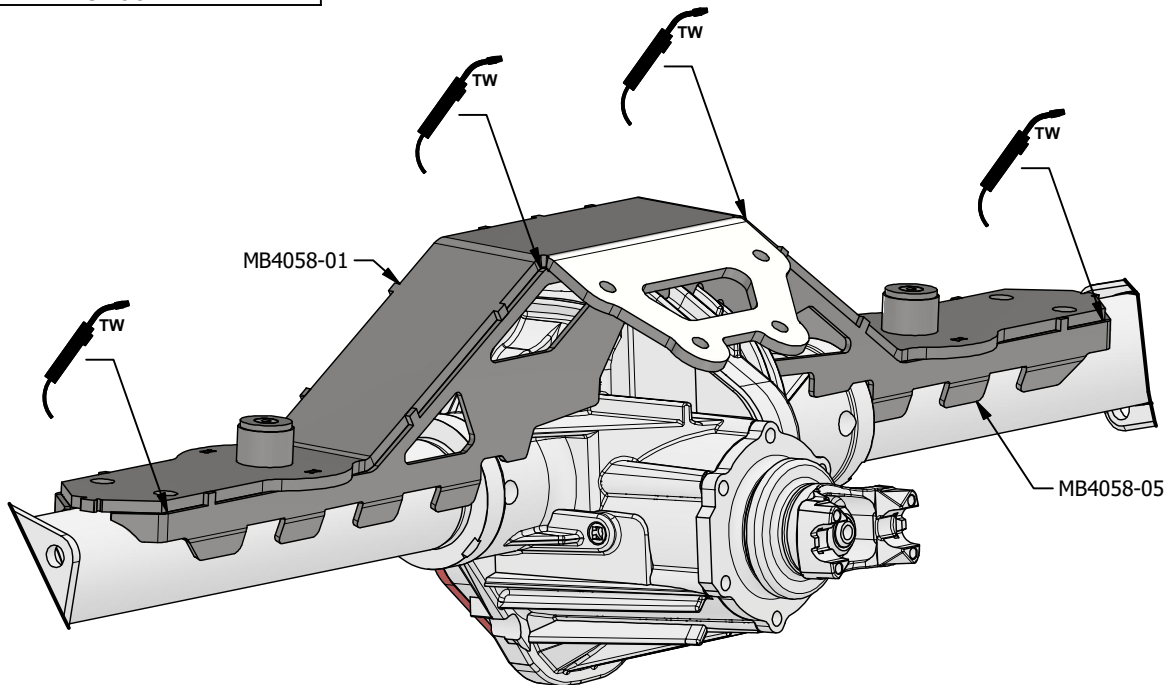
MB4058 - Assembly Instructions 14 Bolt One Ton Conversion Truss

ASSEMBLY - TRUSS ASSEMBLY



MB4058 - Assembly Instructions 14 Bolt One Ton Conversion Truss**ASSEMBLY - TRUSS ASSEMBLY**

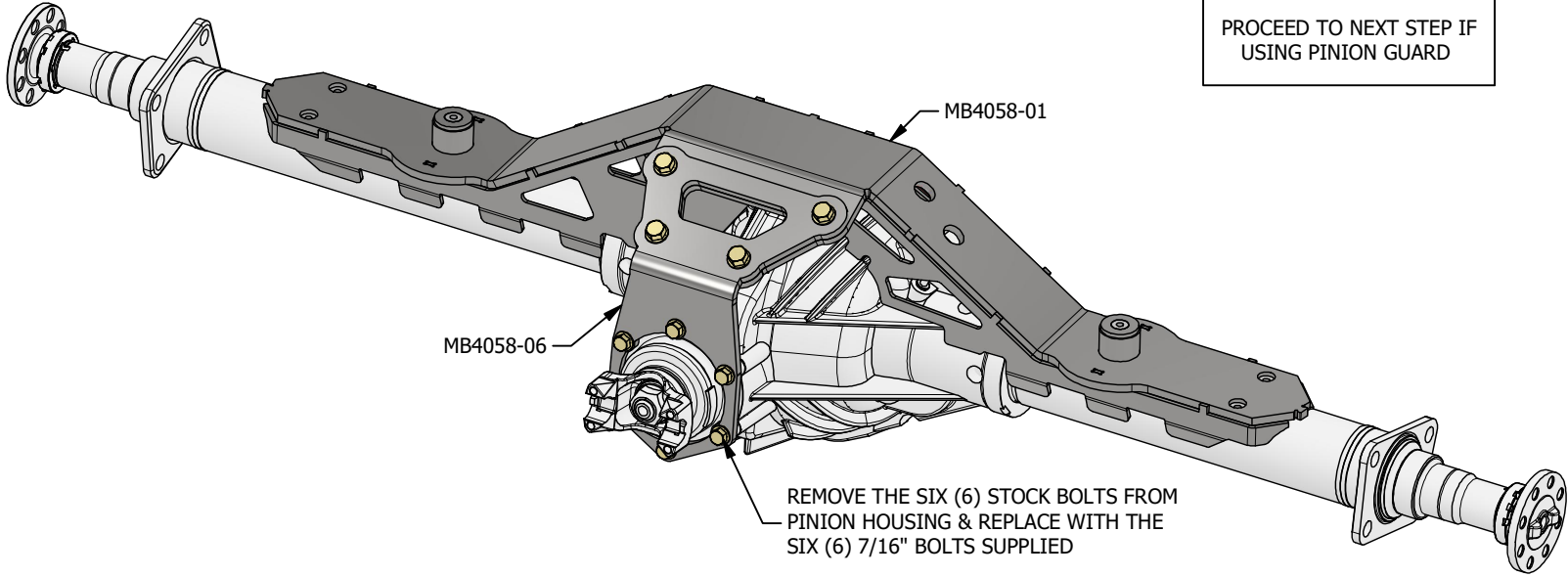
NOTE: DO NOT WELD THE TRUSS TO THE AXLE AT THIS STAGE. USE THE AXLE TO LOCATE THE PLATES AND THEN TACK WELD THE PLATES TOGETHER.



MB4058 - Assembly Instructions 14 Bolt One Ton Conversion Truss

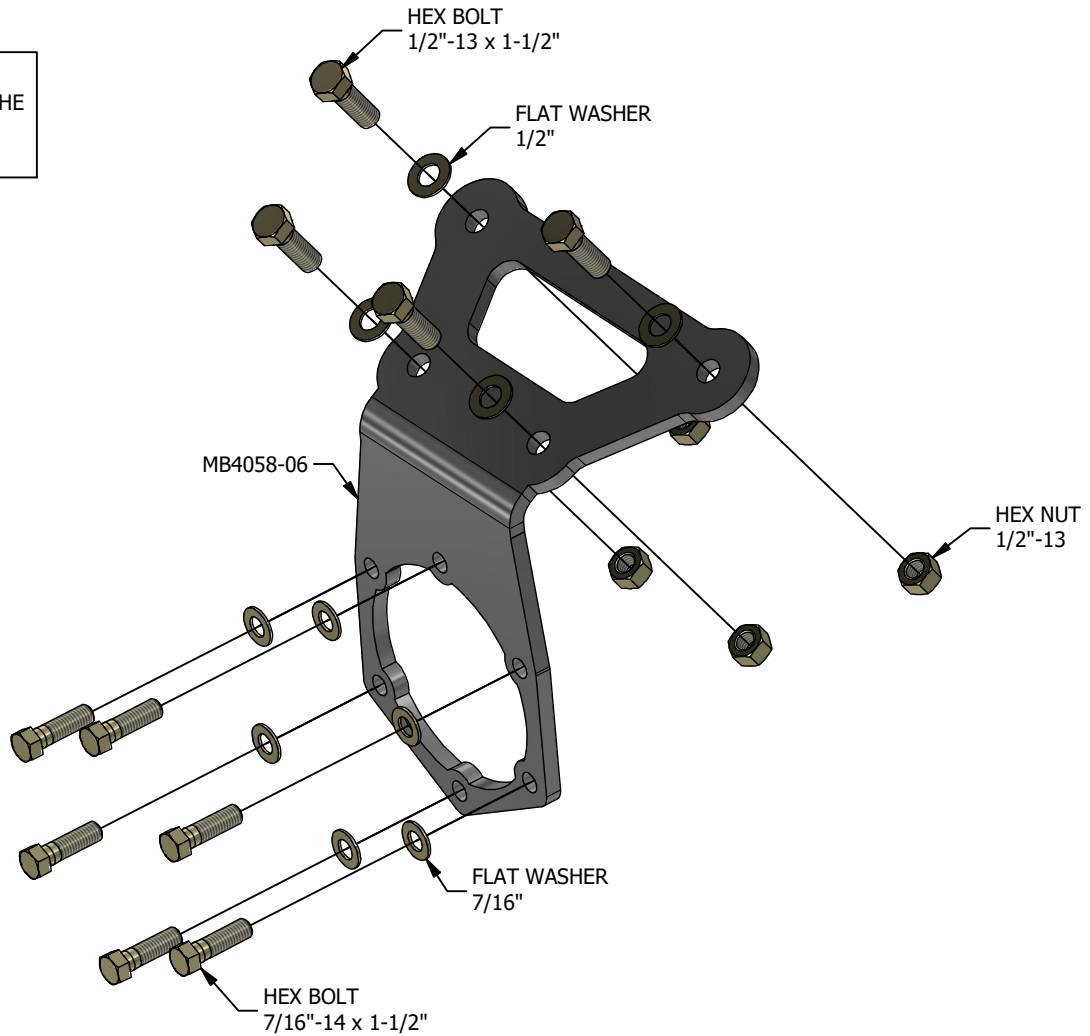
ASSEMBLY - TRUSS WITHOUT PINION GUARD

PROCEED TO NEXT STEP IF USING PINION GUARD



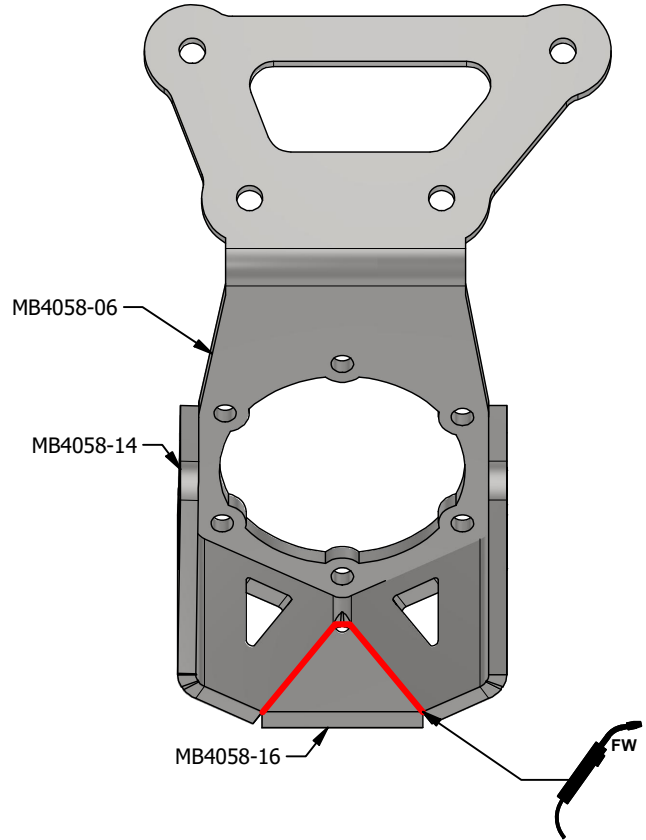
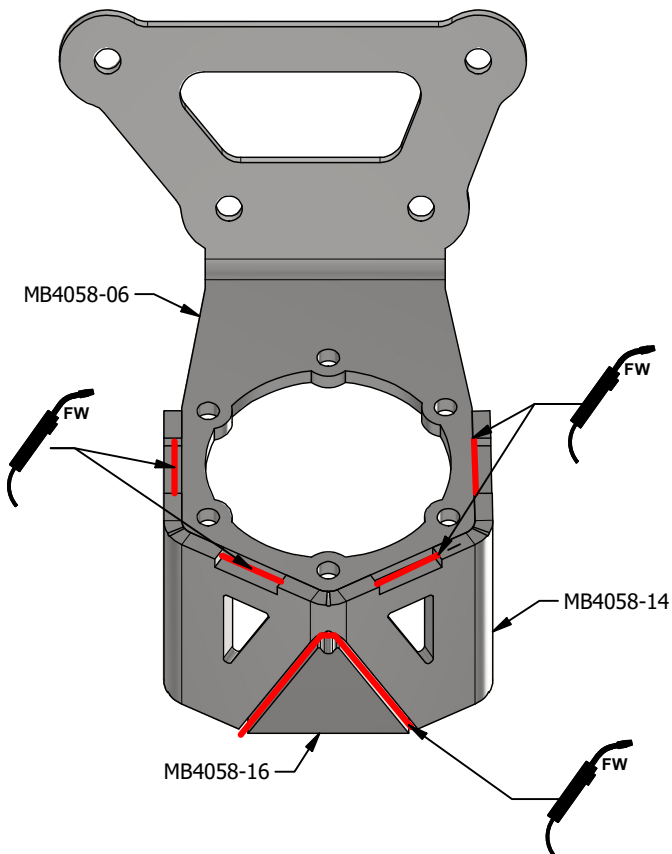
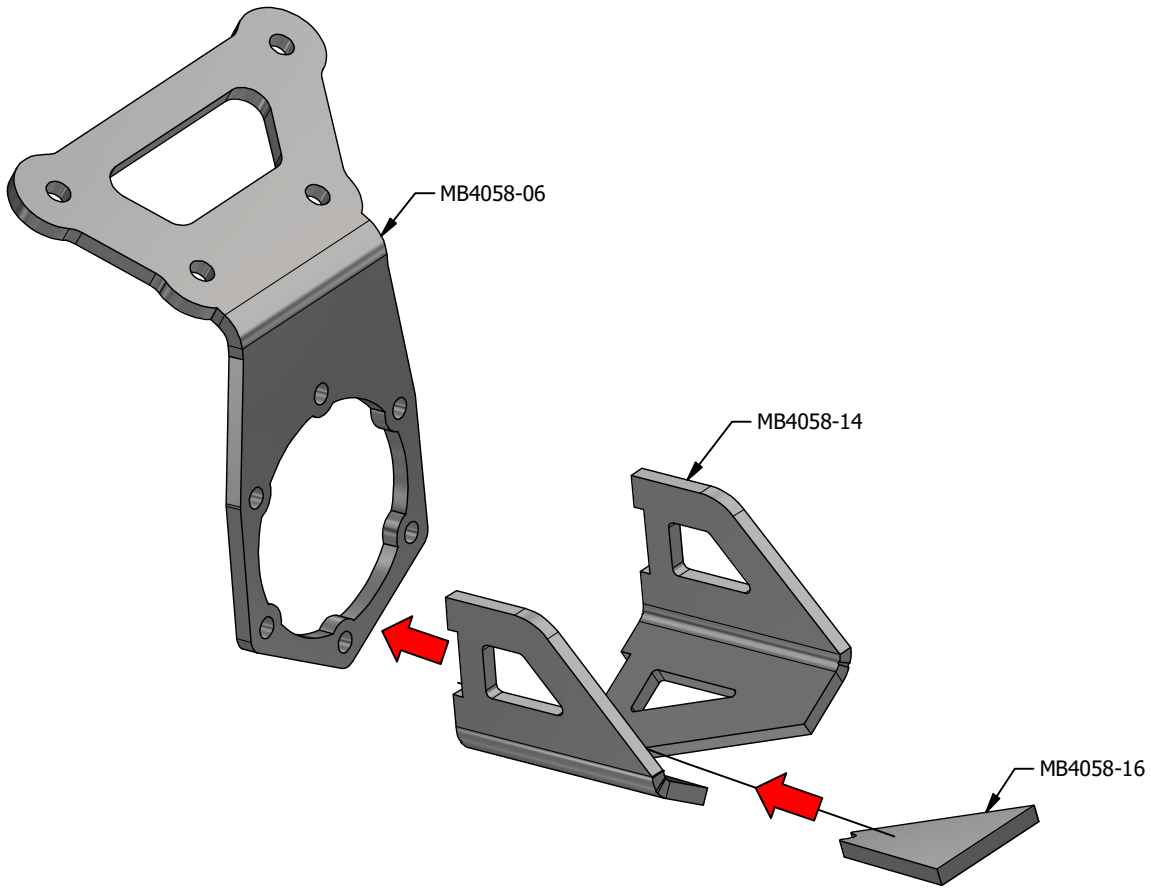
REMOVE THE SIX (6) STOCK BOLTS FROM PINION HOUSING & REPLACE WITH THE SIX (6) 7/16" BOLTS SUPPLIED

THE MB4058-15 LOCATES THE TRUSS ON THE AXLE



MB4058 - Assembly Instructions 14 Bolt One Ton Conversion Truss

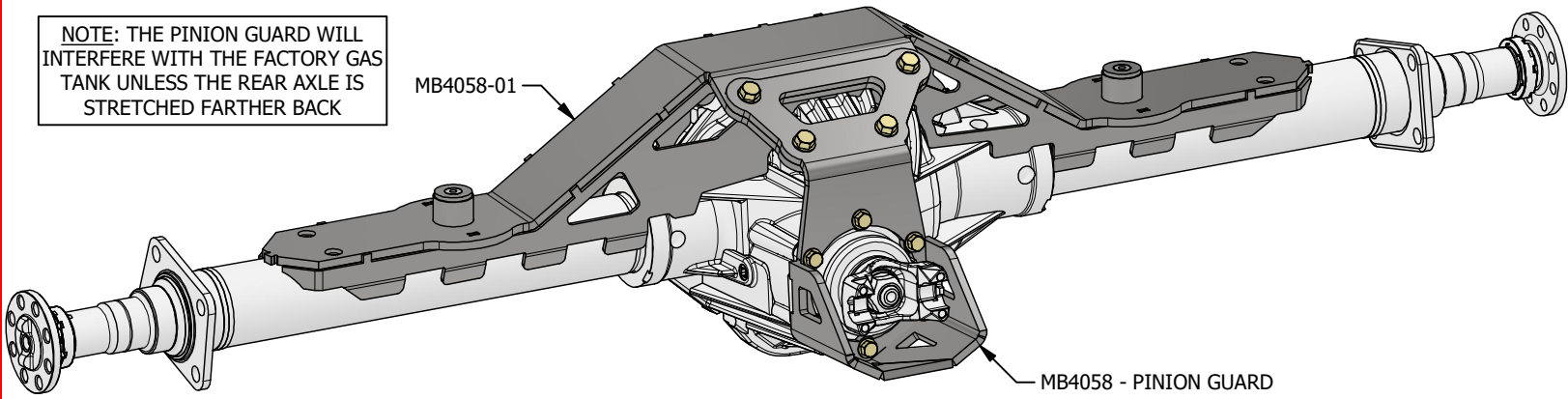
ASSEMBLY - PINION GUARD ASSEMBLY



MB4058 - Assembly Instructions 14 Bolt One Ton Conversion Truss

ASSEMBLY - TRUSS WITH PINION GUARD

NOTE: THE PINION GUARD WILL INTERFERE WITH THE FACTORY GAS TANK UNLESS THE REAR AXLE IS STRETCHED FARTHER BACK



HEX BOLT
1/2"-13 x 1-1/2"

FLAT WASHER
1/2"

FLAT WASHER
7/16"

HEX BOLT
7/16"-14 x 1-1/2"

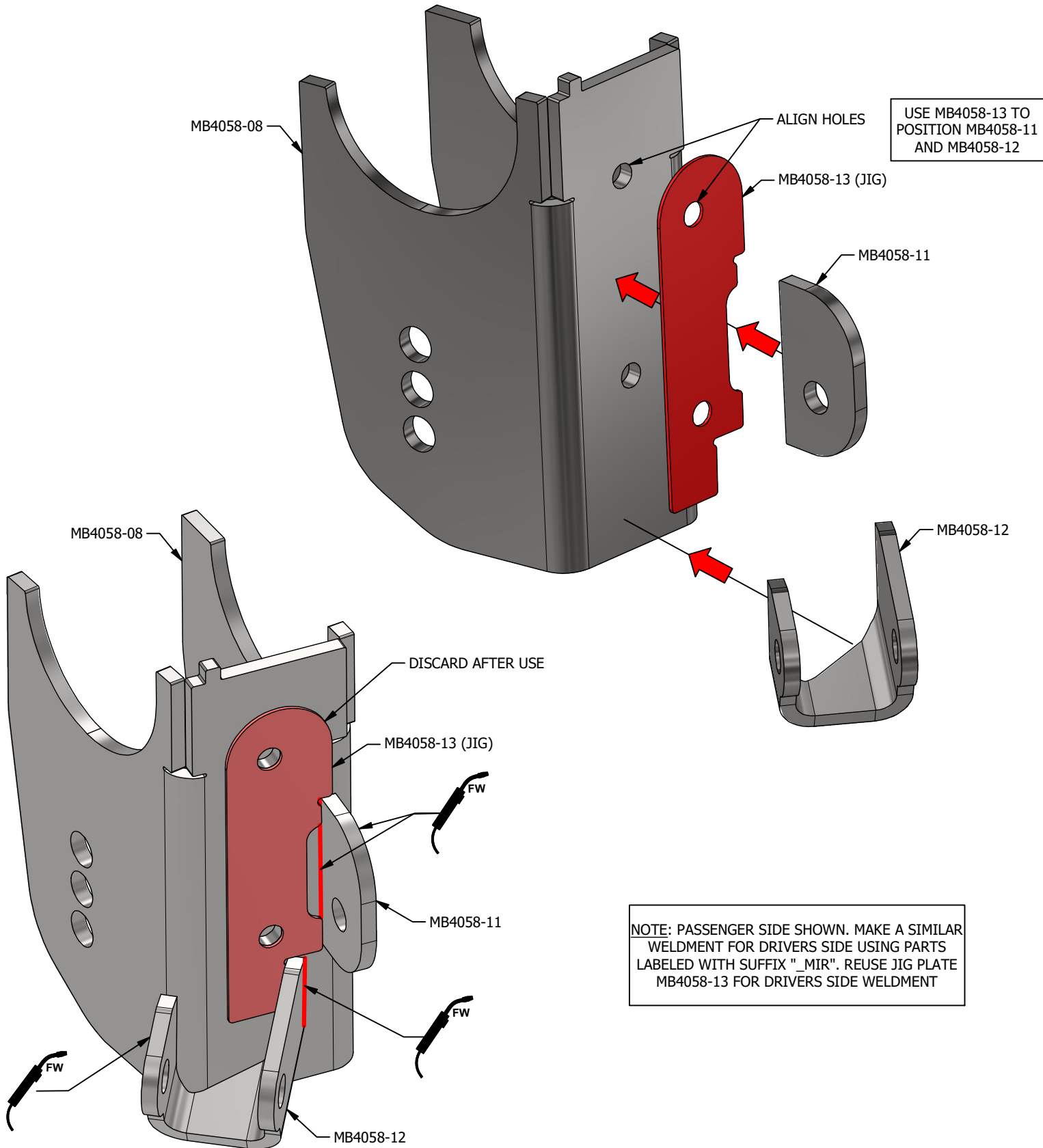
HEX NUT
1/2"-13

MB4058 - PINION GUARD

THE PINION GUARD LOCATES THE TRUSS ON THE AXLE

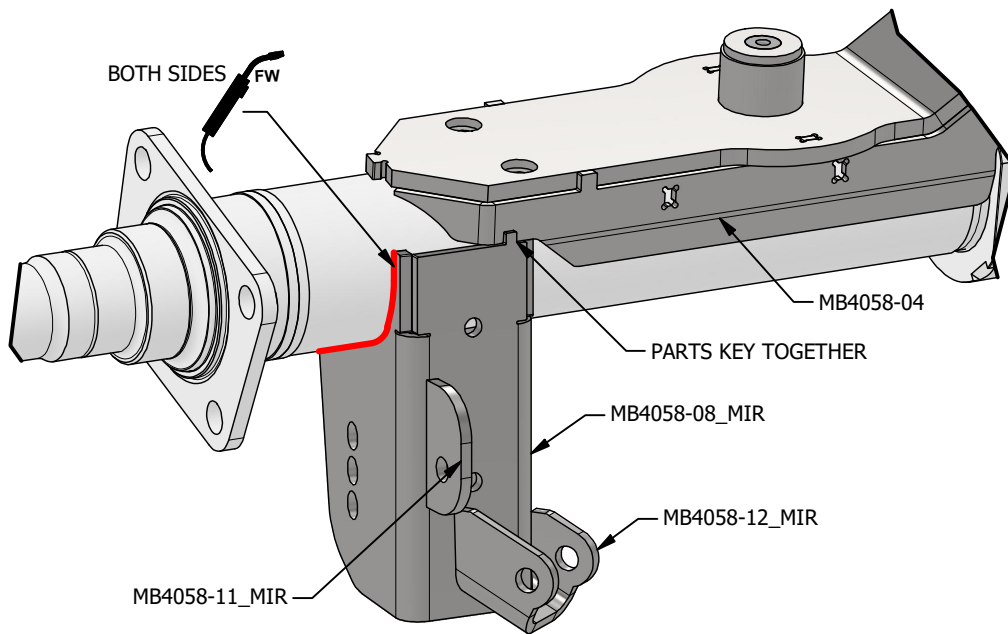
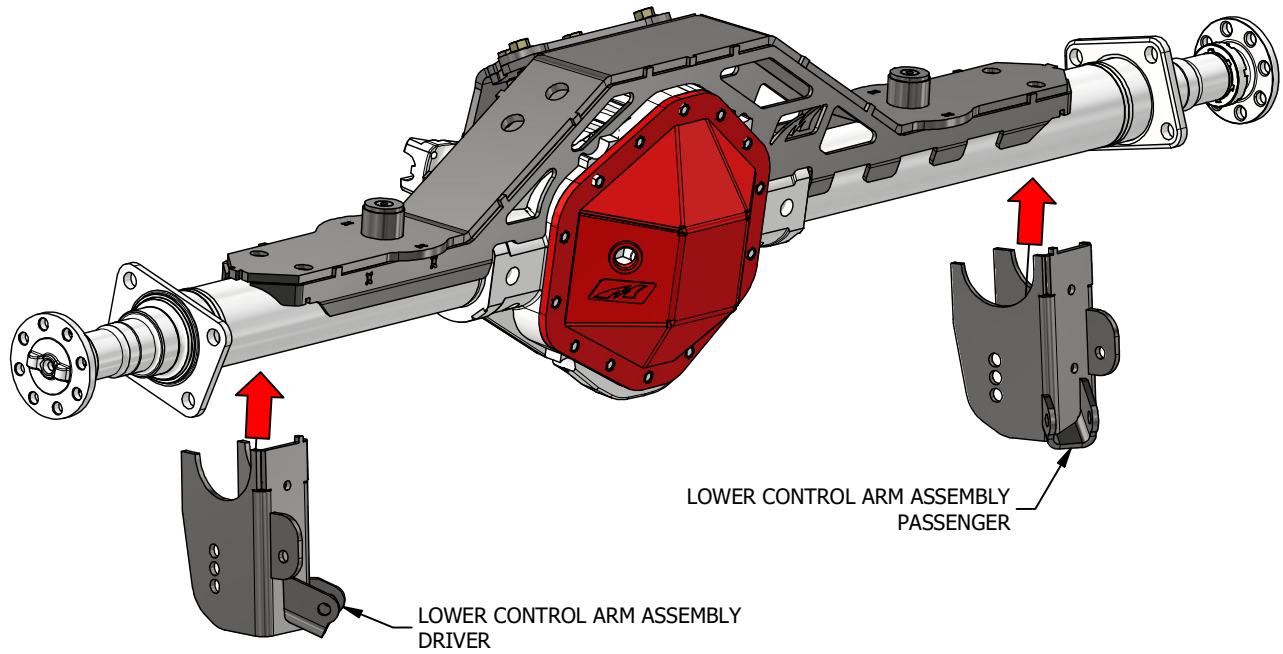
MB4058 - Assembly Instructions 14 Bolt One Ton Conversion Truss

ASSEMBLY - LOWER CONTROL ARM



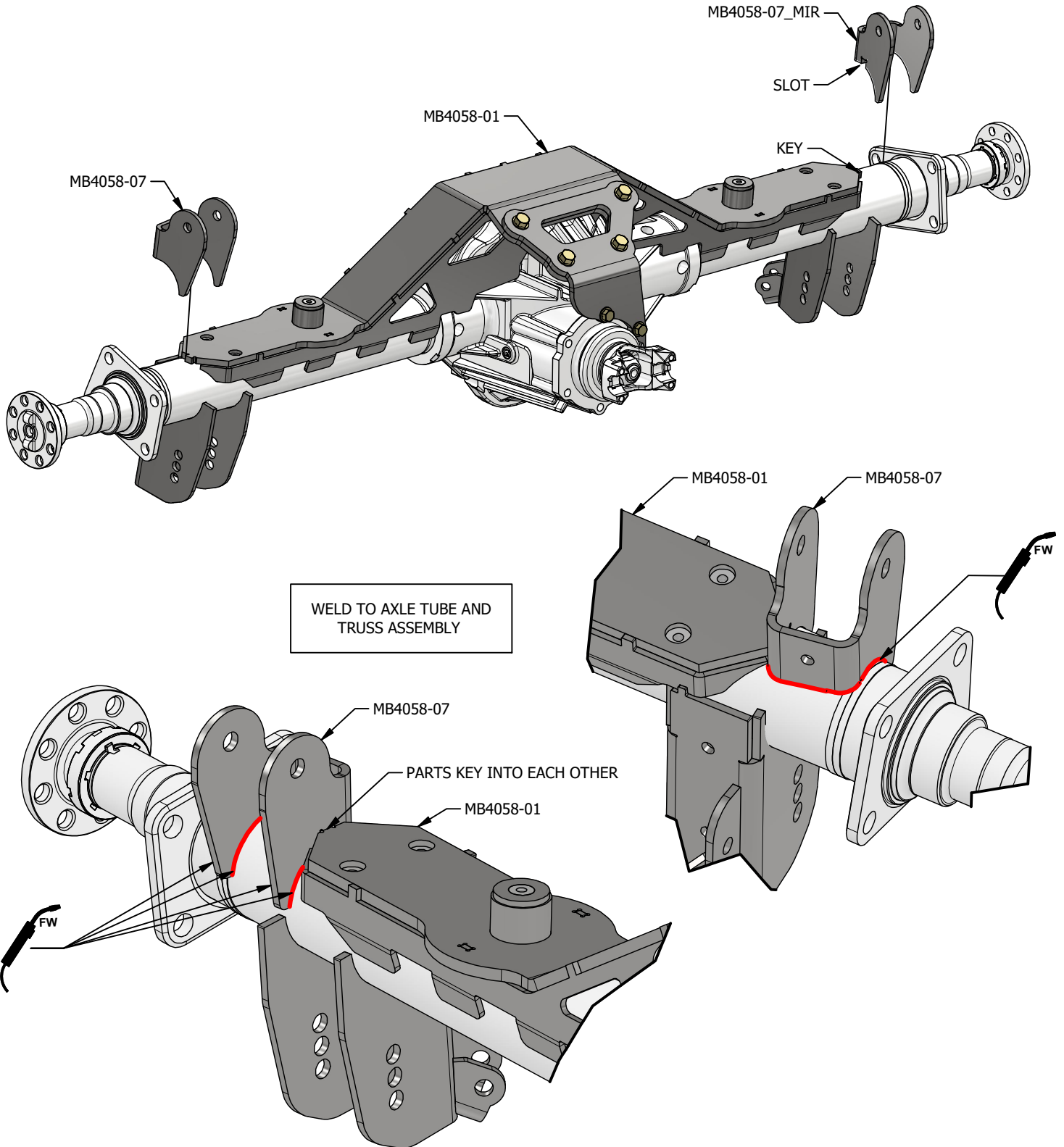
MB4058 - Assembly Instructions 14 Bolt One Ton Conversion Truss

ASSEMBLY - LOWER CONTROL ARM



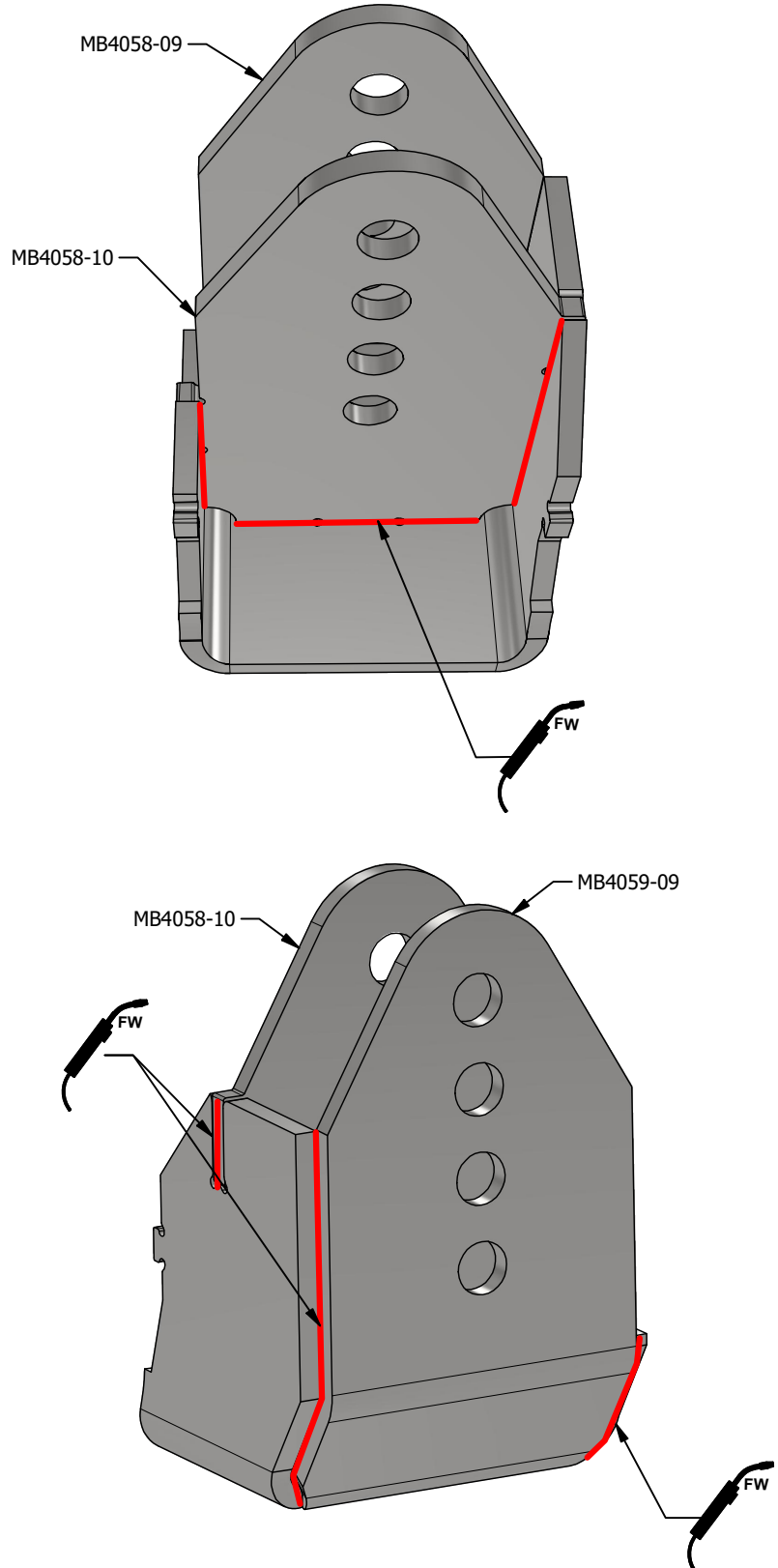
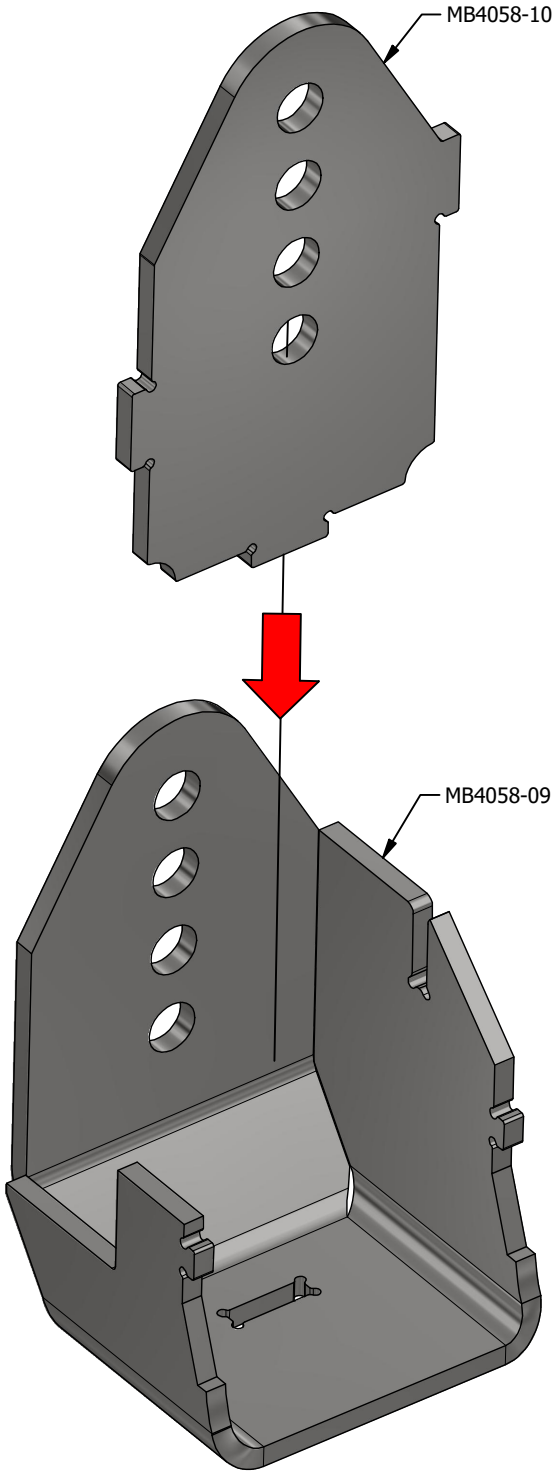
MB4058 - Assembly Instructions 14 Bolt One Ton Conversion Truss

ASSEMBLY - UPPER CONTROL ARM



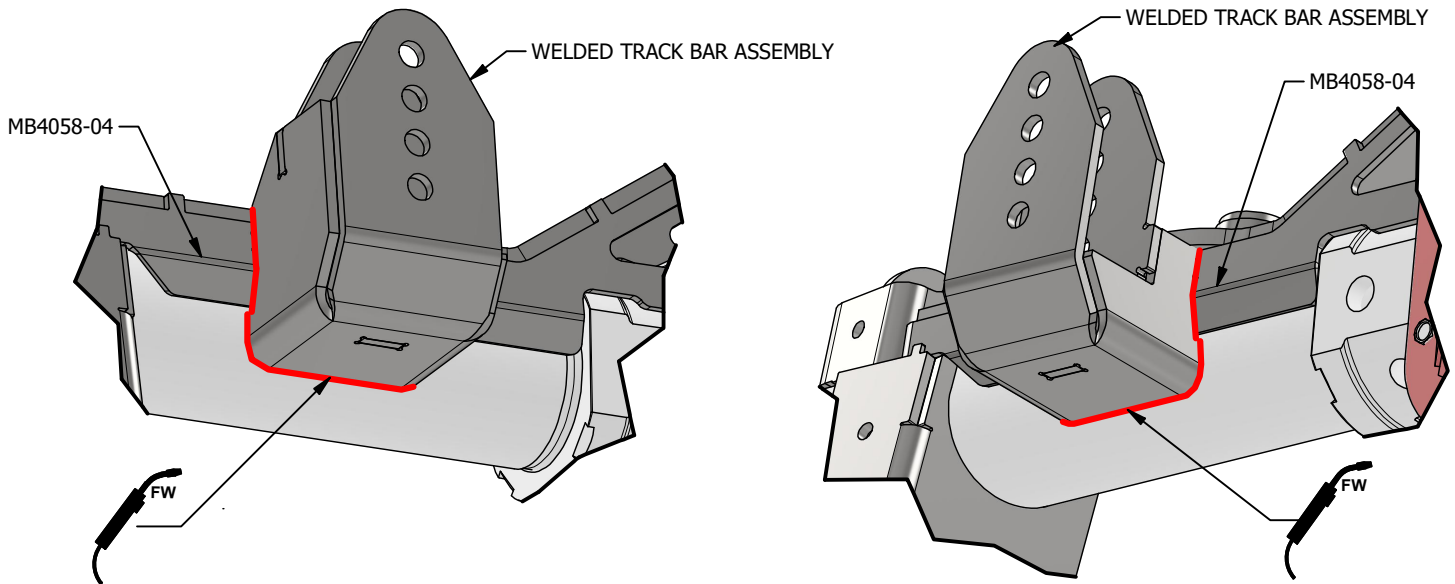
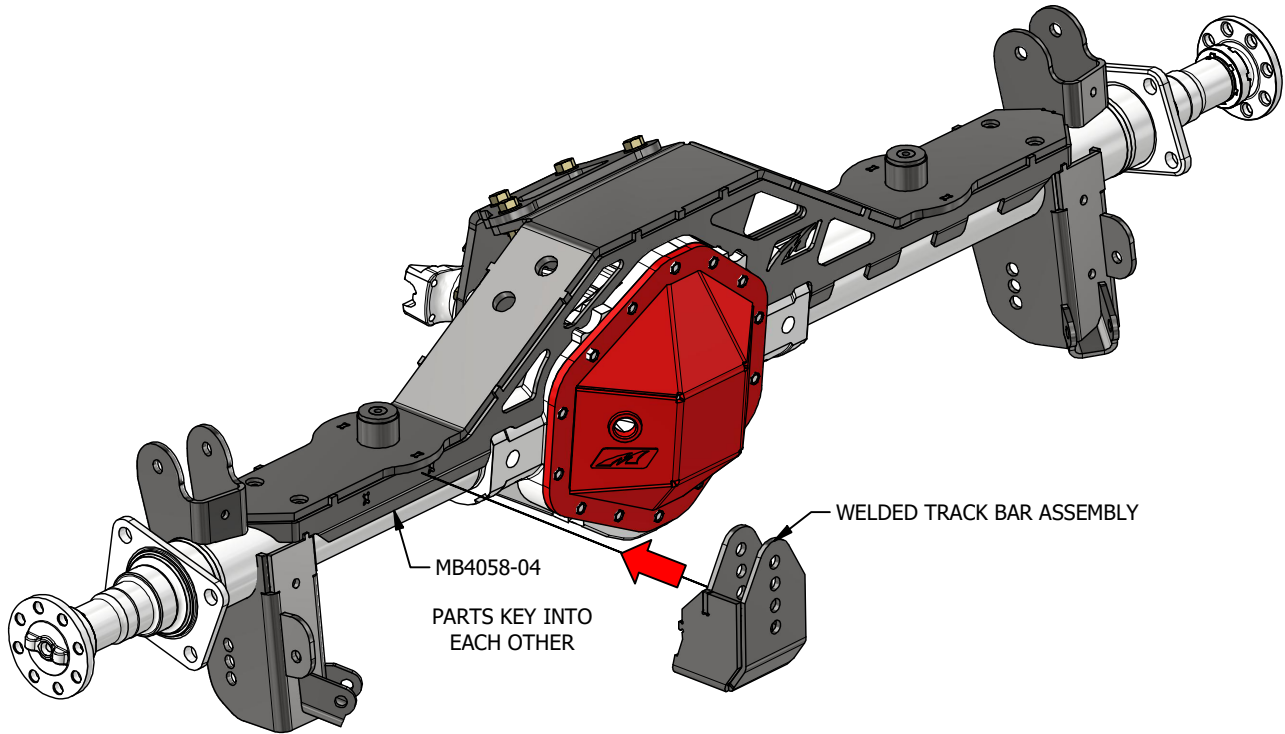
MB4058 - Assembly Instructions 14 Bolt One Ton Conversion Truss

ASSEMBLY - TRACK BAR BRACKET ASSEMBLY



MB4058 - Assembly Instructions 14 Bolt One Ton Conversion Truss

ASSEMBLY - TRACK BAR BRACKET ASSEMBLY



FULLY WELD ENTIRE ASSEMBLY AND PAINT AS DESIRED