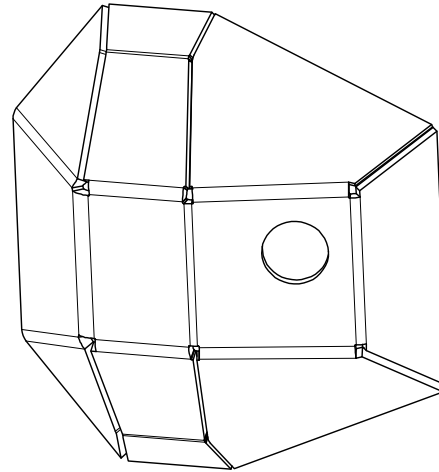
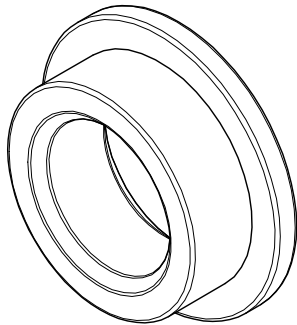


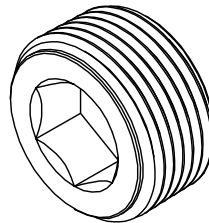
**MB4043-01**  
Qty: 1



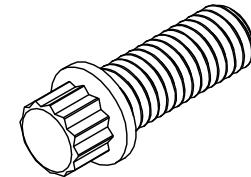
**MB4043-02**  
Qty: 1



**OIL FILL WELD-IN BUNG**  
3/4" NPT  
Qty: 1



**OIL FILL PLUG**  
Qty: 1



**12 POINT BOLT**  
3/8"-16 x 1"  
Qty: 10



Dwg/Part No:

**MB4043 - Shipping Un-Welded**

Description:

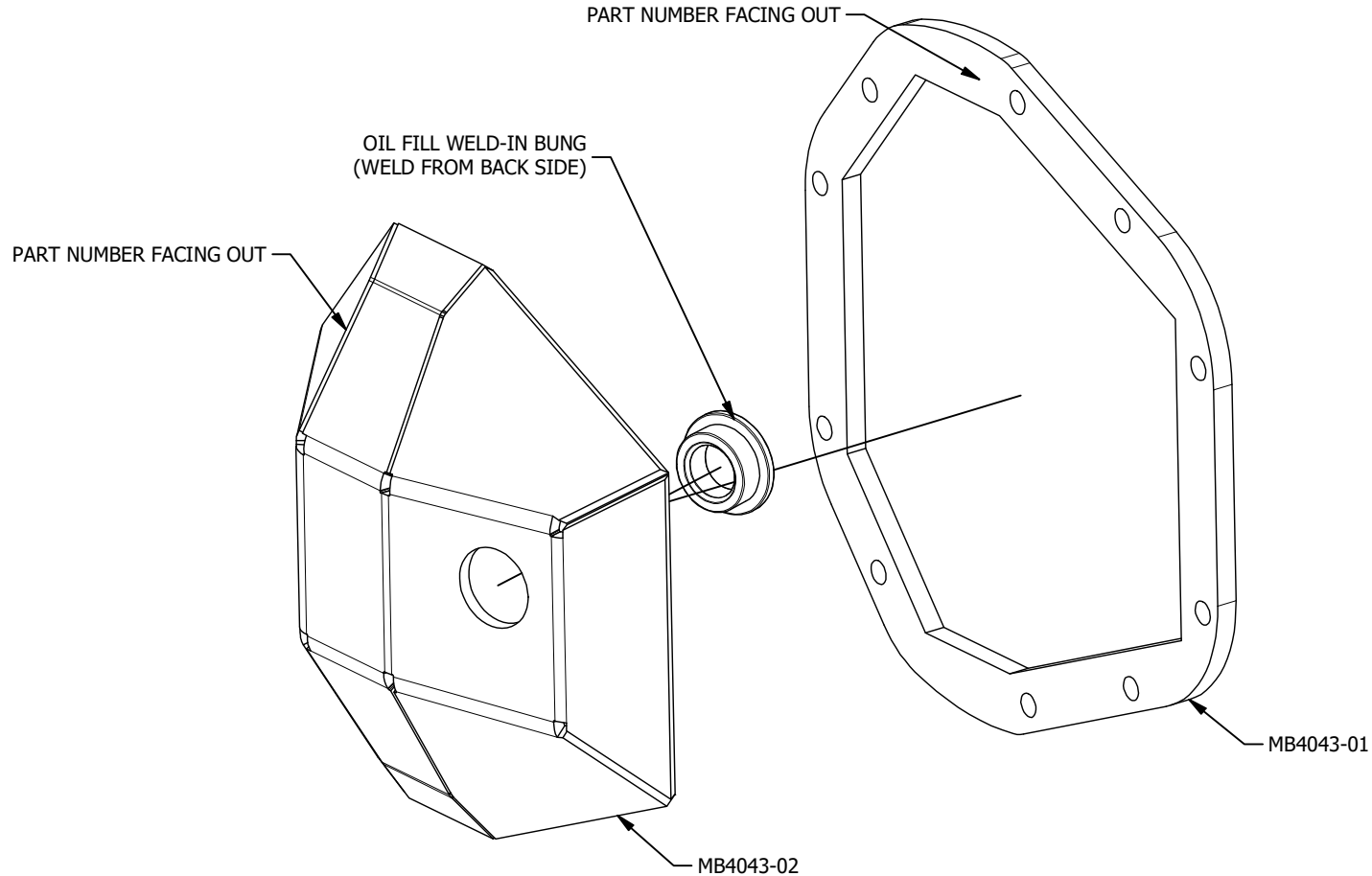
**DANA 60 Super Duty DIY Diff Cover**

Sheet No: 1 of 2

Rev No: 0

Mat'l:

**IMPORTANT: TACK WELD ALL PARTS TOGETHER AND TEST FIT BEFORE FINISH WELDING!**



Dwg/Part No:

**MB4043 - Shipping Un-Welded**

Description:

**DANA 60 Super Duty DIY Diff Cover**

Mat'l:

Sheet No: **2** of **2**

Rev No: **0**