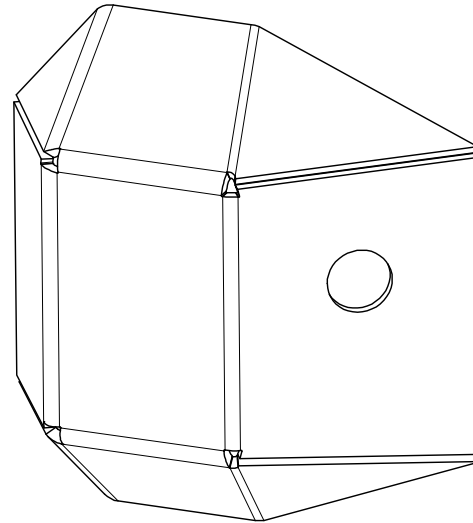
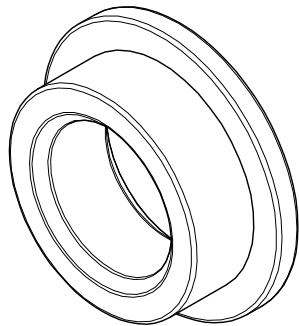


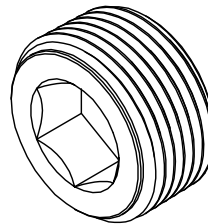
MB4032-1
Qty: 1



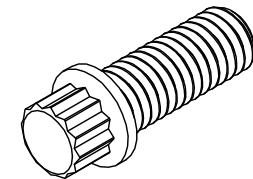
MB4032-2
Qty: 1



OIL FILL WELD-IN BUNG
3/4" NPT
Qty: 1



OIL FILL PLUG
3/4" NPT
Qty: 1



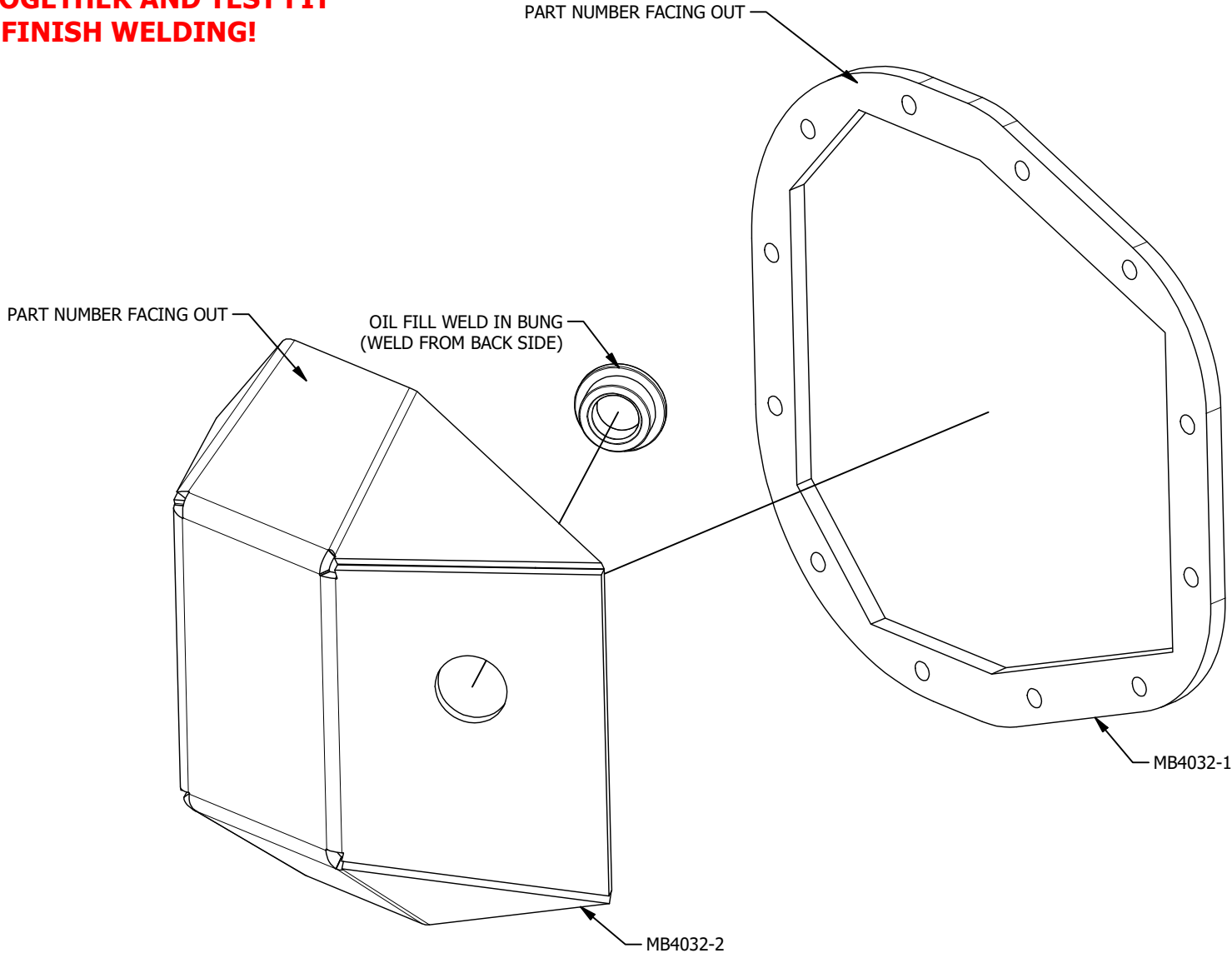
12 POINT BOLT
5/16"-18 x 1"
Qty: 12



Dwg/Part No:
MB4032 - Shipping Un-Welding
Description:
Sterling 10.25 DIY Diff Cover

Sheet No: **1** of **2**
Rev No: **0**

IMPORTANT: TACK WELD ALL PARTS TOGETHER AND TEST FIT BEFORE FINISH WELDING!



Dwg/Part No: **MB4032 - Shipping Un-Welding**
Description: **Sterling 10.25 DIY Diff Cover**
Mat'l:

Sheet No: **2** of **2**
Rev No: **0**