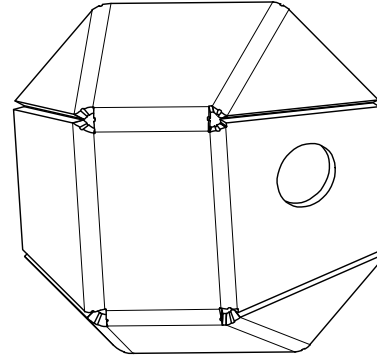
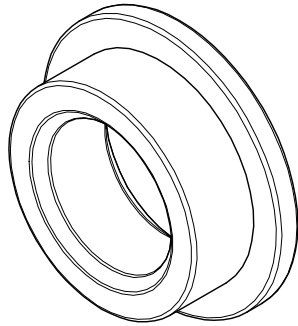


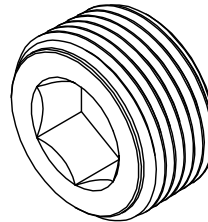
MB4029-01
Qty: 1



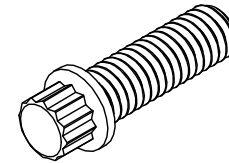
MB4029-02
Qty: 1



OIL FILL WELD-IN BUNG
3/4" NPT
Qty: 1



OIL FILL PLUG
3/4" NPT
Qty: 1



12 POINT BOLT
5/16"-18 x 1"
Qty: 10



Dwg/Part No:

MB4029 - Shipping Un-Welded

Description:

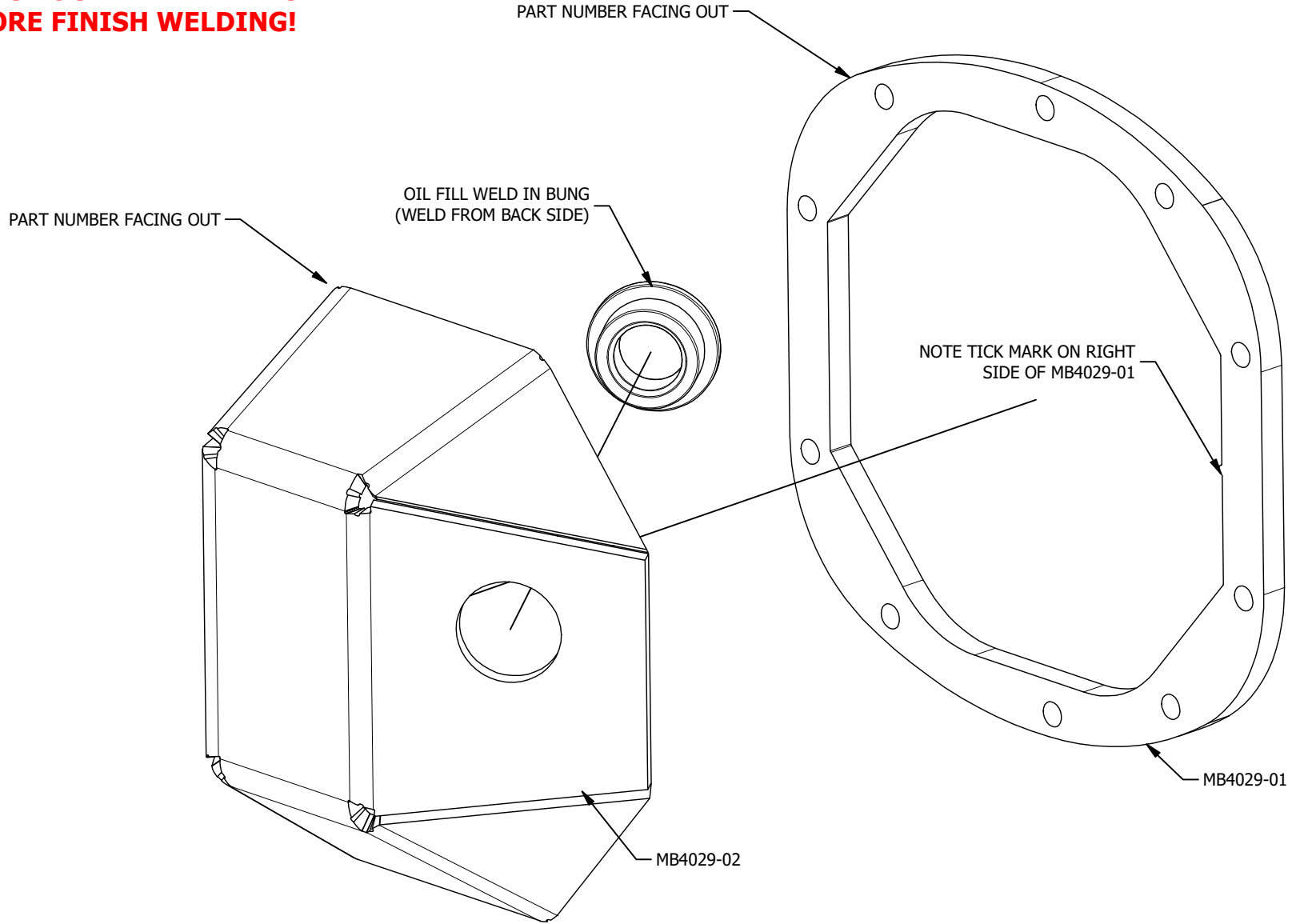
DANA 30 DIY Diff Cover

Mat'l:

Sheet No: **1** of **2**

Rev No: **0**

IMPORTANT: TACK WELD ALL PARTS TOGETHER AND TEST FIT BEFORE FINISH WELDING!



Dwg/Part No: **MB4029 - Shipping Un-Welded**
Description: **DANA 30 DIY Diff Cover**
Mat'l:

Sheet No: **2** of **2**
Rev No: **0**