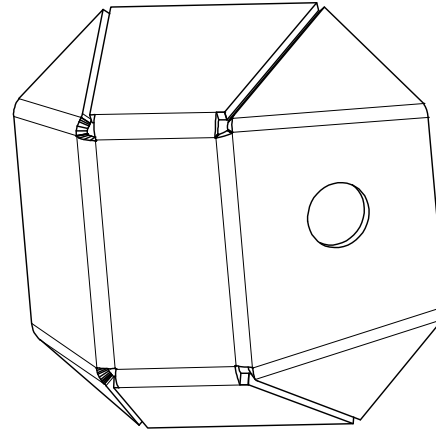
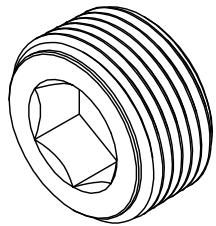


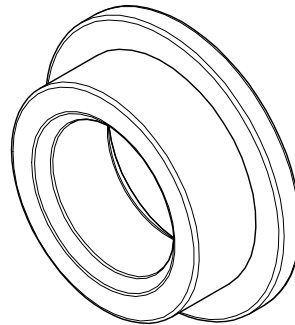
MB4028-1
Qty: 1



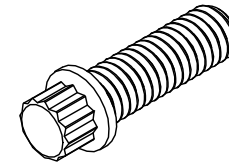
MB4028-2
Qty: 1



OIL FILL PLUG
3/4" NPT
Qty: 1



OIL FILL WELD-IN BUNG
3/4" NPT
Qty: 1



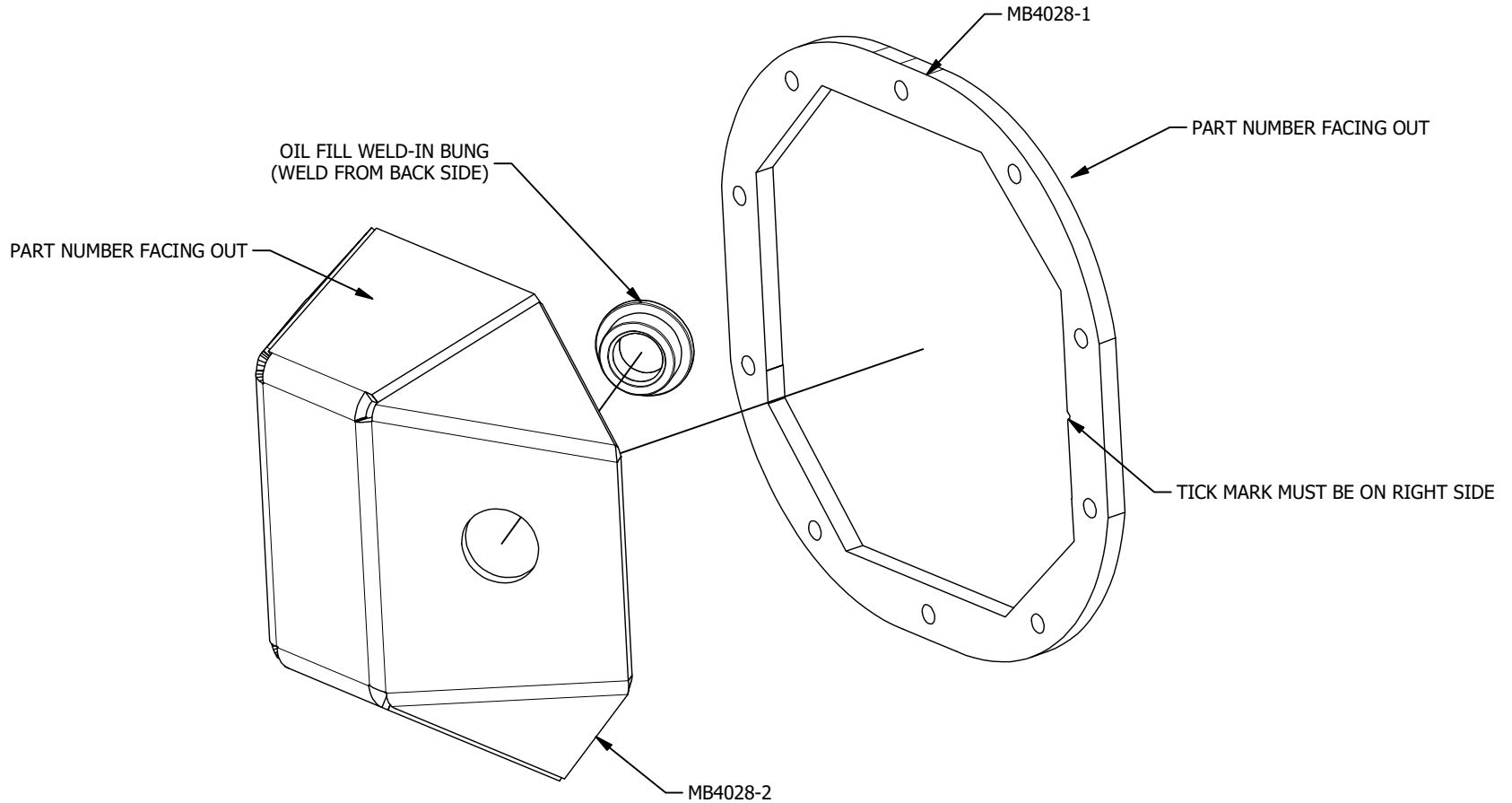
12 POINT BOLT
5/16"-18 x 1"
Qty: 10



Dwg/Part No:
MB4028 - Shipping Un-Welded
Description:
Ford 8.8 DIY Diff Cover

Sheet No: **1** of **2**
Rev No: **0**

IMPORTANT: TACK WELD ALL PARTS TOGETHER AND TEST FIT BEFORE FINISH WELDING!



Dwg/Part No:
MB4028 - Shipping Un-Welded
Description:
Ford 8.8 DIY Diff Cover

Sheet No: **2** of **2**
Rev No: **0**