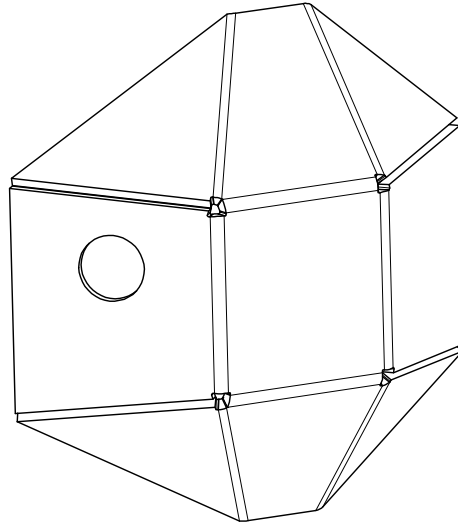
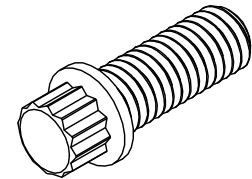


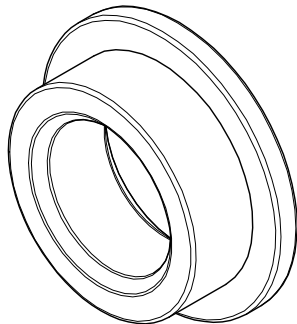
MB4012-1
Qty: 1



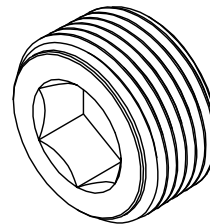
MB4012-2
Qty: 1



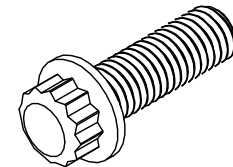
12 POINT BOLT (INCH)
3/8"-16 x 1"
Qty: 14



OIL FILL WELD-IN BUNG
3/4" NPT
Qty: 1



OIL FILL PLUG
3/4" NPT
Qty: 1



12 POINT BOLT (METRIC)
M8-1.25 x 25mm
Qty: 14



Dwg/Part No:

MB4012 - Shipping Un-Welded

Description:

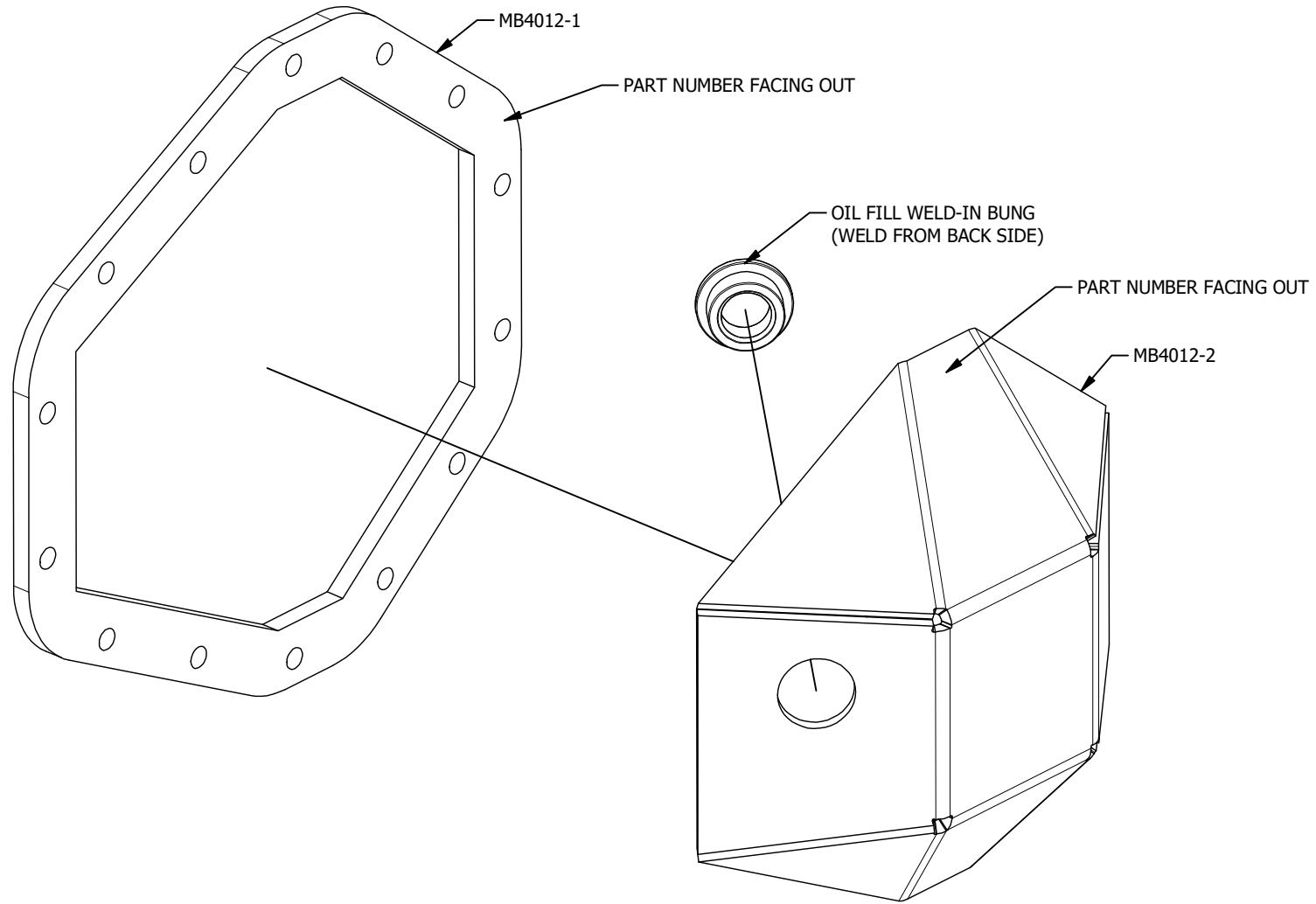
14 Bolt DIY Diff Cover

Mat'l:

Sheet No: 1 of 2

Rev No: 0

IMPORTANT: TACK WELD ALL PARTS TOGETHER AND TEST FIT BEFORE FINISH WELDING!



Dwg/Part No:
MB4012 - Shipping Un-Welded
Description:
14 Bolt DIY Diff Cover

Mat'l:

Sheet No: **2** of **2**

Rev No: **0**