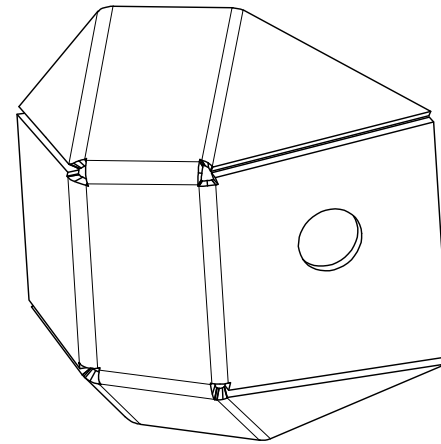
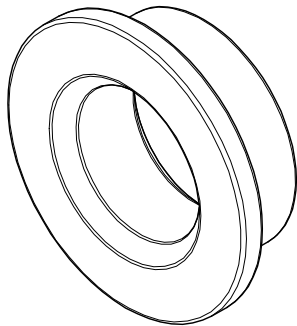


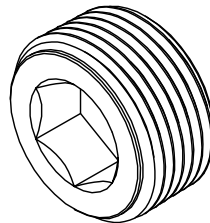
MB4010-01
Qty: 1



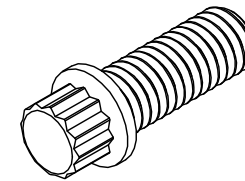
MB4010-02
Qty: 1



OIL FILL WELD-IN BUNG
3/4" NPT
Qty: 1



OIL FILL PLUG
3/4" NPT
Qty: 1



12 POINT BOLT
3/8"-16 x 1"
Qty: 10



Dwg/Part No:

MB4010 - Shipping Unwelded

Description:

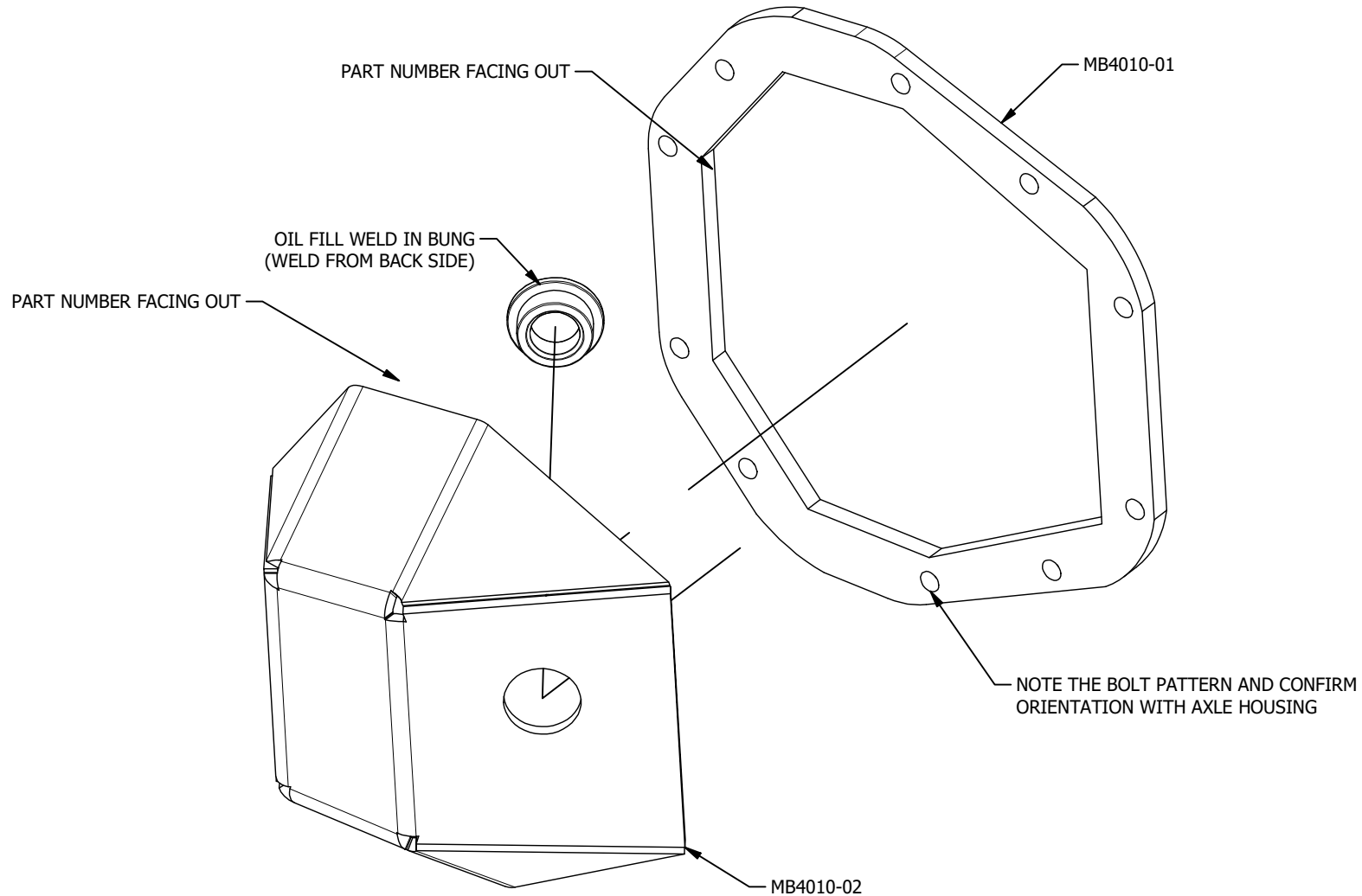
DANA 60 DIY Diff Cover (Pre-2005)

Mat'l:

Sheet No: **1** of **2**

Rev No: **0**

IMPORTANT: TACK WELD ALL PARTS TOGETHER AND TEST FIT BEFORE FINISH WELDING!



Dwg/Part No:

MB4010 - Shipping

Description:

DANA 60 Diff Cover (Pre-2005)

Mat'l:

Sheet No: 2 of 2

Rev No: 0