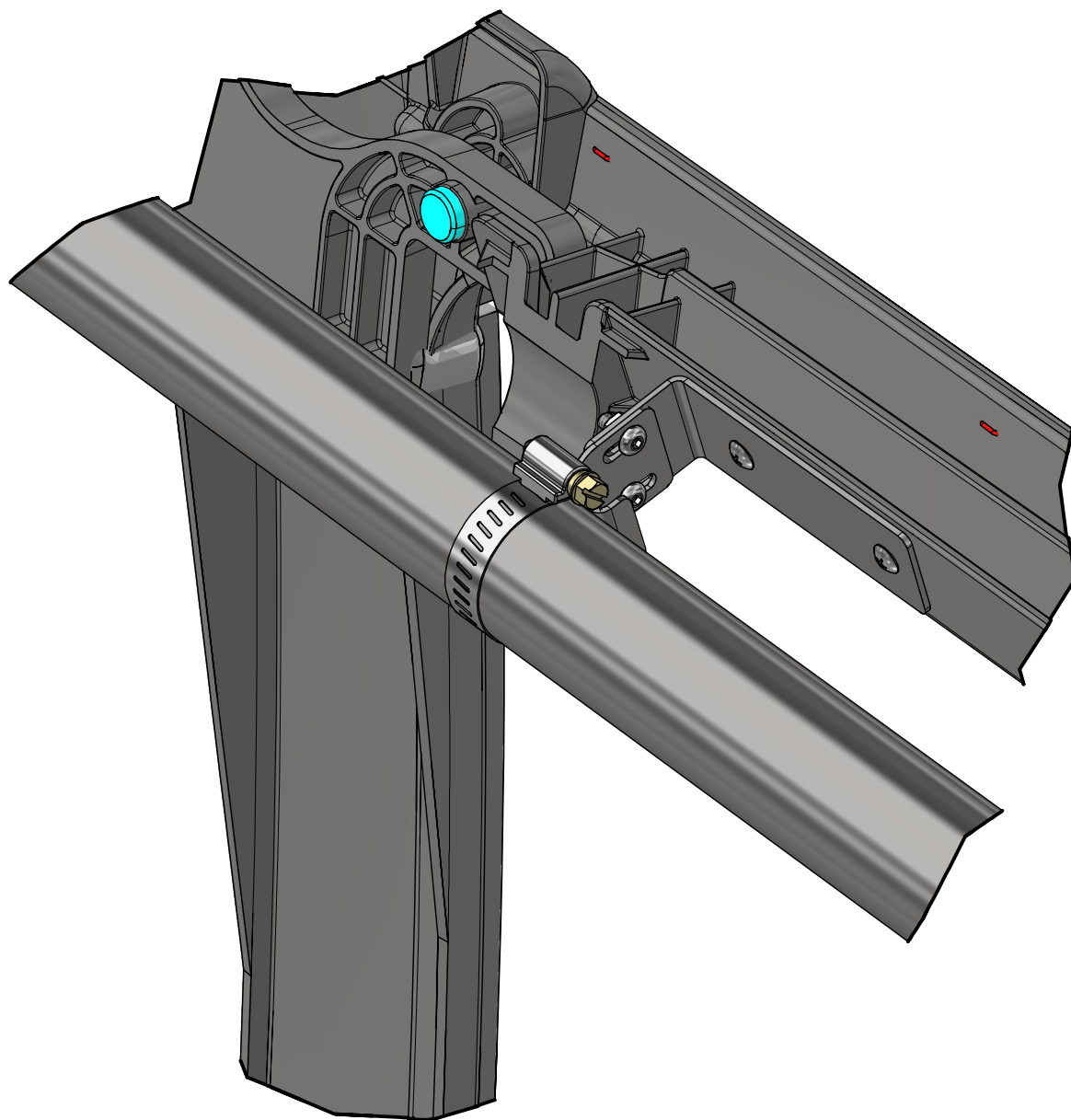
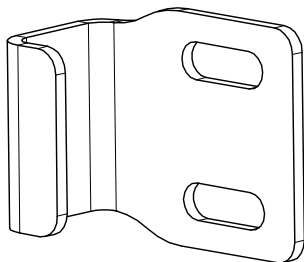


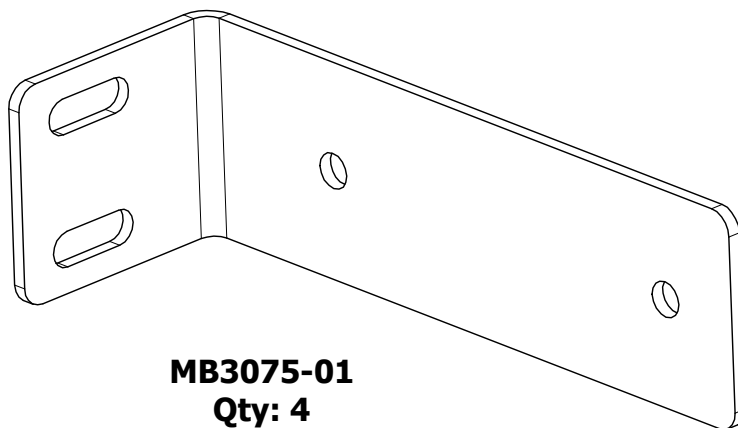
SOFT TOP DOOR SURROUND BRACKETS - JKU



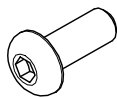
ASSEMBLY INSTRUCTIONS

MB3075 - Assembly Instructions Soft Top Door Surround Brackets - JKU**KIT COMPONENTS**

MB3075-02
Qty: 4



MB3075-01
Qty: 4



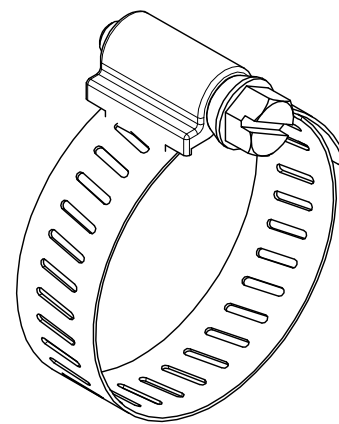
**BUTTON HEAD
SOCKET CAP SCREW**
#10-24 x 3/4"
Qty: 8



NYLOCK NUT
#10-24
Qty: 8



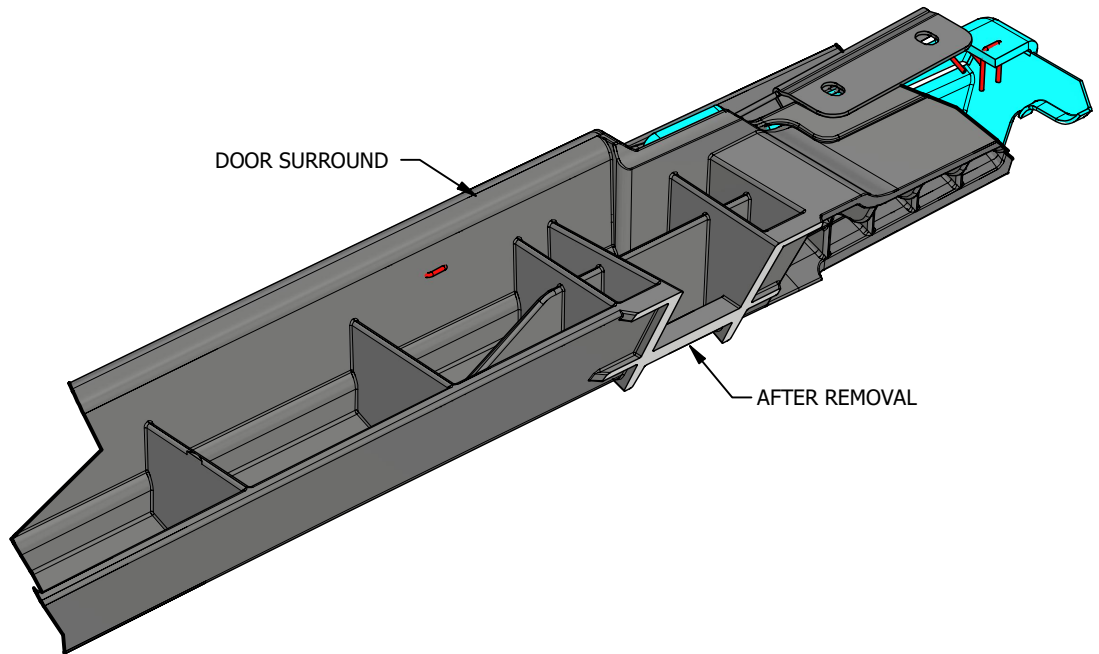
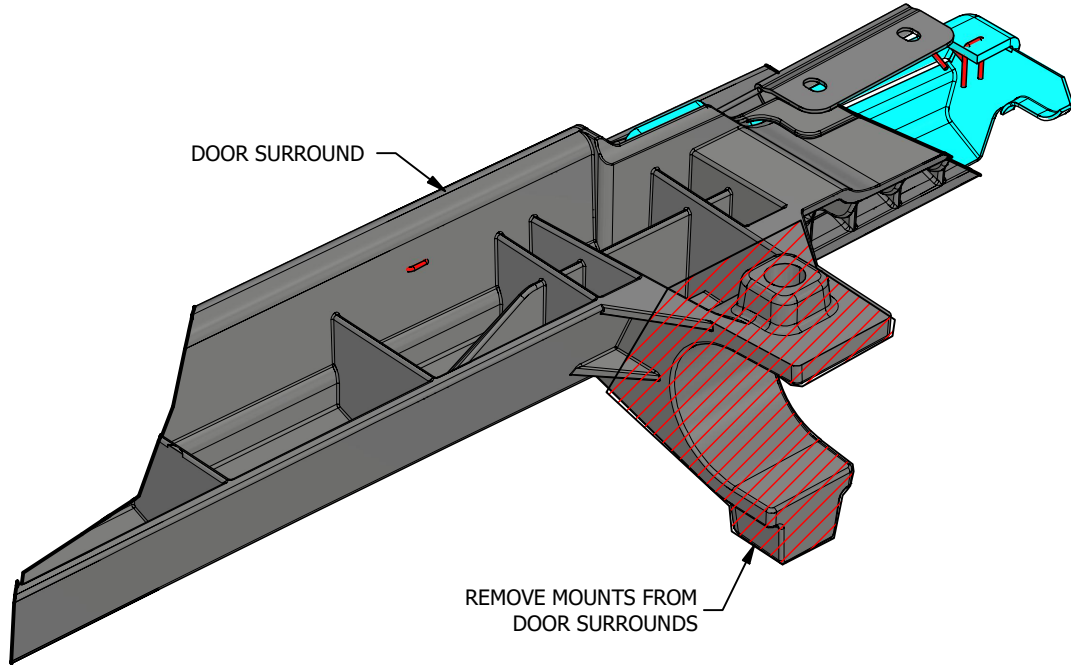
SELF TAPPING SCREW
#8 x 1/2"
Qty: 8



HOSE CLAMP
1.57"-2.5"
Qty: 4

MB3075 - Assembly Instructions Soft Top Door Surround Brackets - JKU

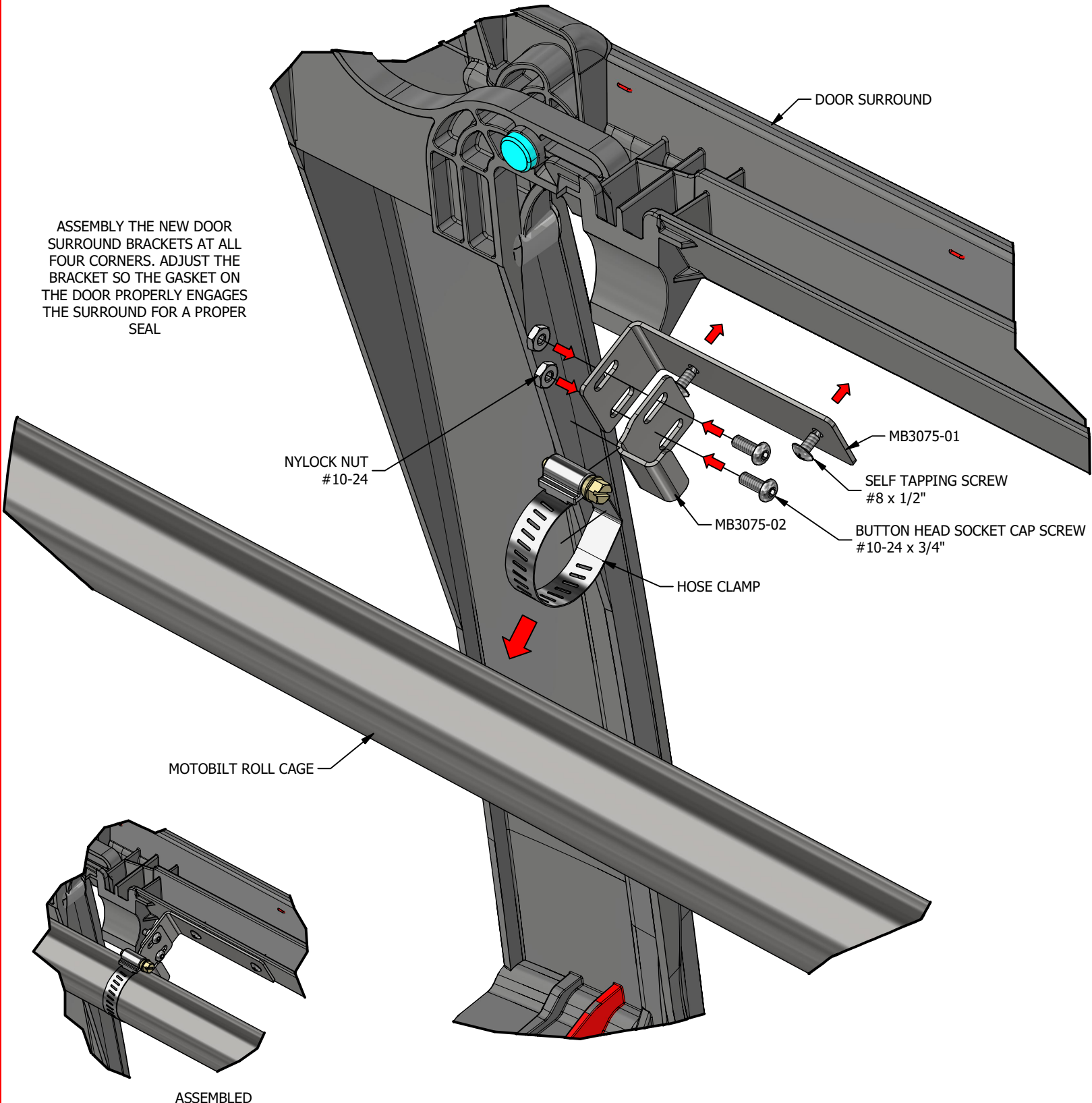
DOOR SURROUND MODIFICATION



MB3075 - Assembly Instructions Soft Top Door Surround Brackets - JKU

BRACKET INSTALLATION

ASSEMBLY THE NEW DOOR SURROUND BRACKETS AT ALL FOUR CORNERS. ADJUST THE BRACKET SO THE GASKET ON THE DOOR PROPERLY ENGAGES THE SURROUND FOR A PROPER SEAL



NYLOCK NUT #10-24

DOOR SURROUND

MB3075-01

SELF TAPPING SCREW #8 x 1/2"

BUTTON HEAD SOCKET CAP SCREW #10-24 x 3/4"

MB3075-02

HOSE CLAMP

MOTOBILT ROLL CAGE

ASSEMBLED