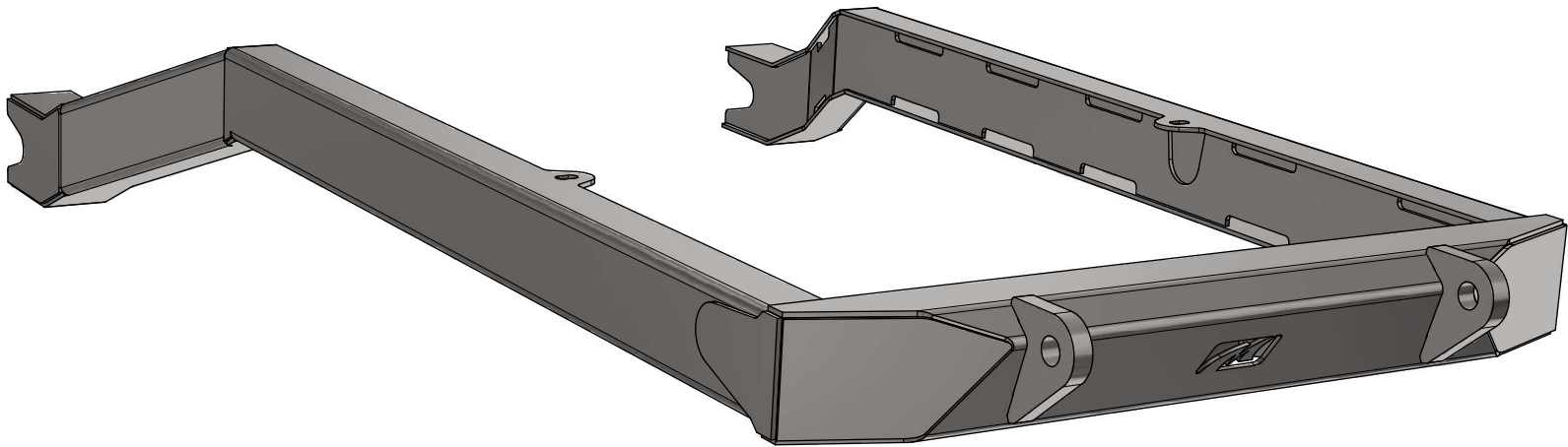
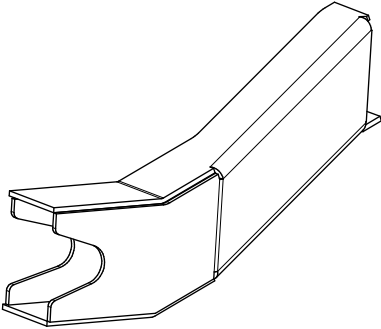


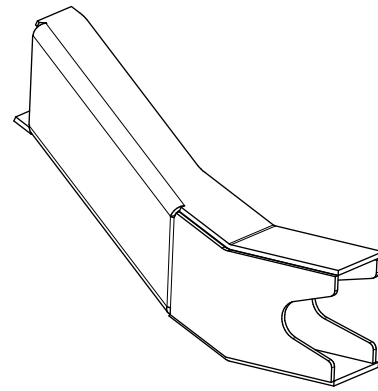
YJ STRETCH BACK HALF FRAME KIT



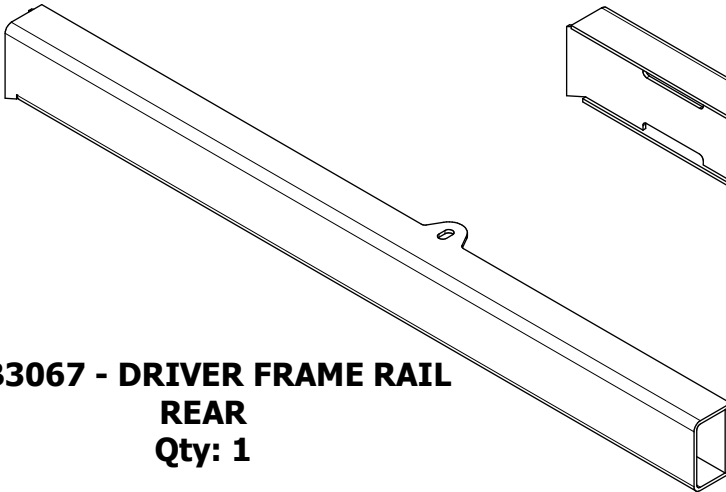
ASSEMBLY INSTRUCTIONS

MB3067 - Assembly Instructions YJ Stretch Back Half Frame Kit**KIT COMPONENTS**

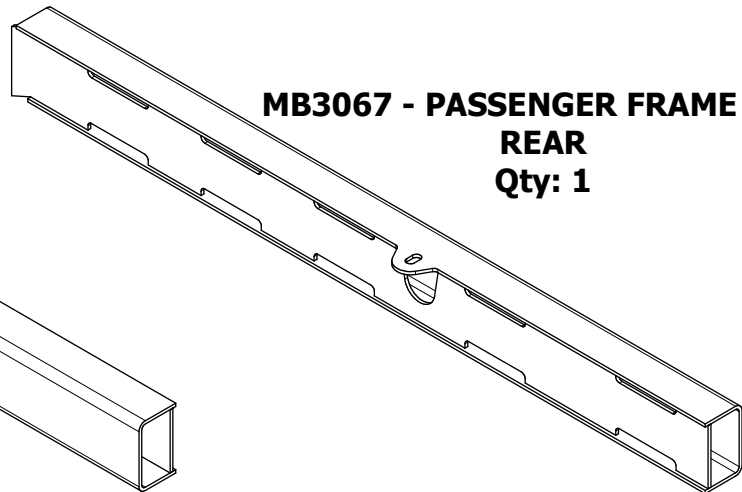
**MB3067 - DRIVER FRAME RAIL
FRONT
Qty: 1**



**MB3067 - PASSENGER FRAME RAIL
FRONT
Qty: 1**

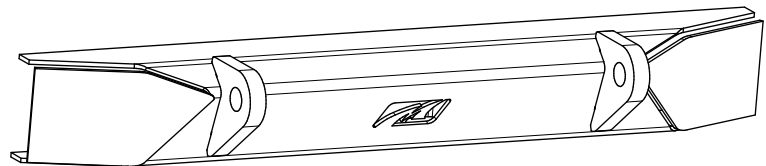
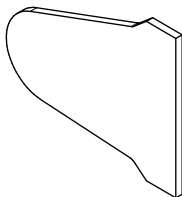


**MB3067 - DRIVER FRAME RAIL
REAR
Qty: 1**



**MB3067 - PASSENGER FRAME RAIL
REAR
Qty: 1**

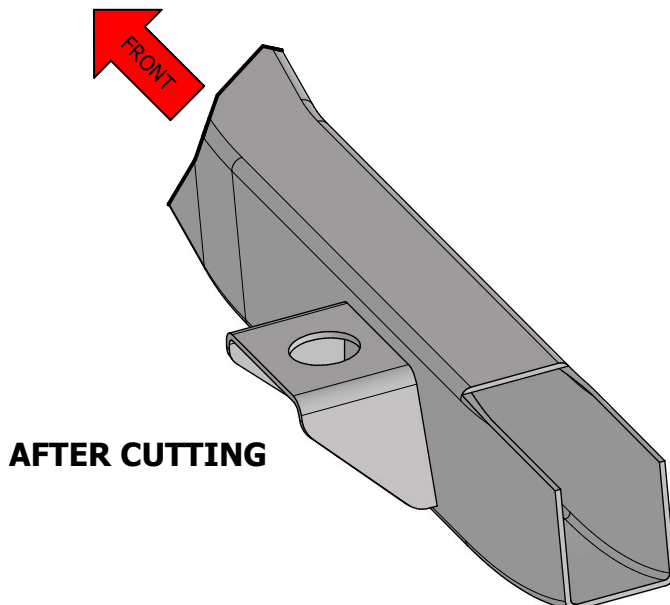
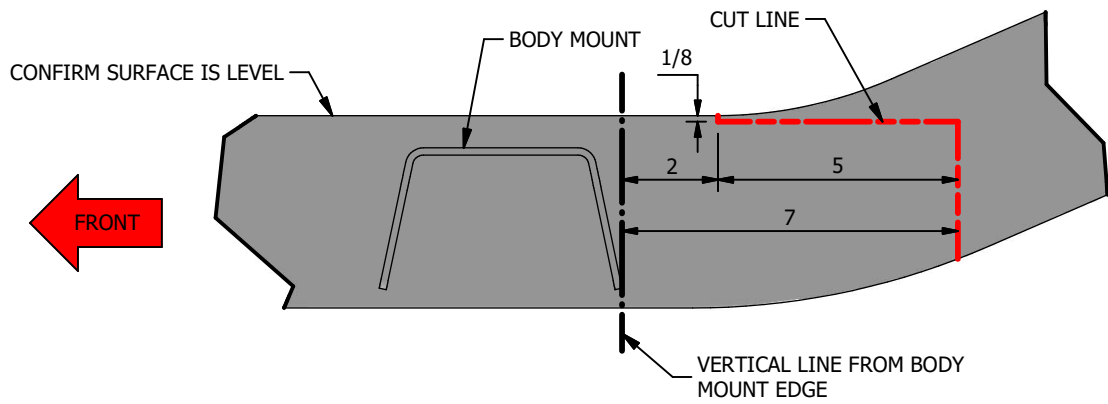
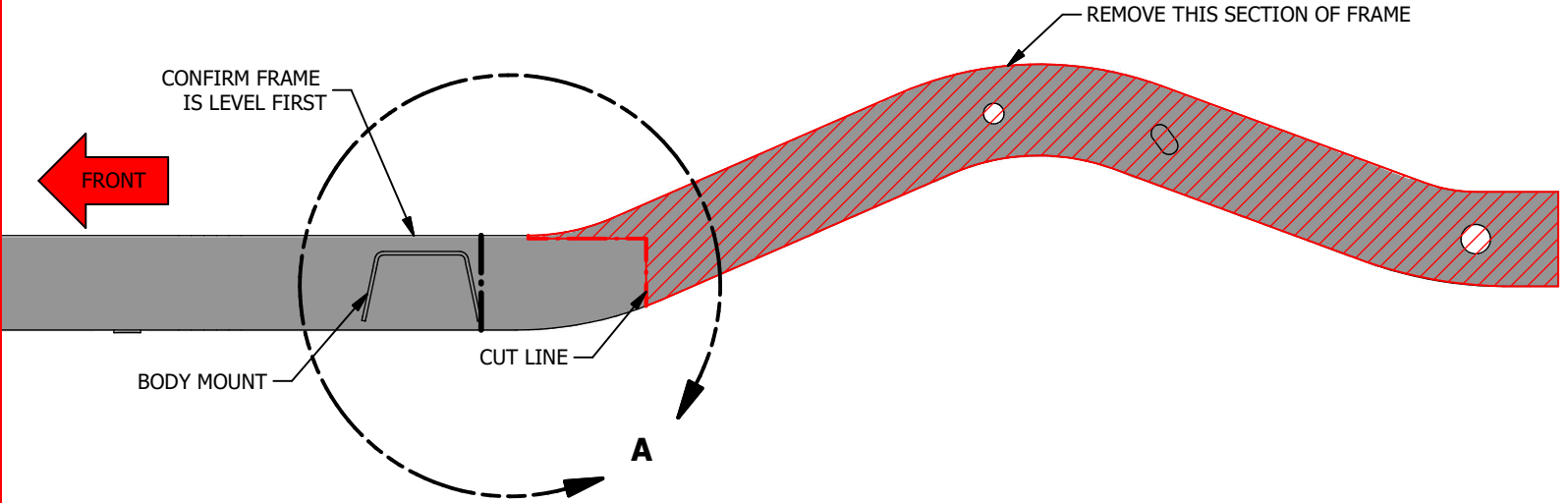
**MB3067-03
SIDE PLATE
Qty: 2**



**MB3067 - BUMPER
Qty: 1**

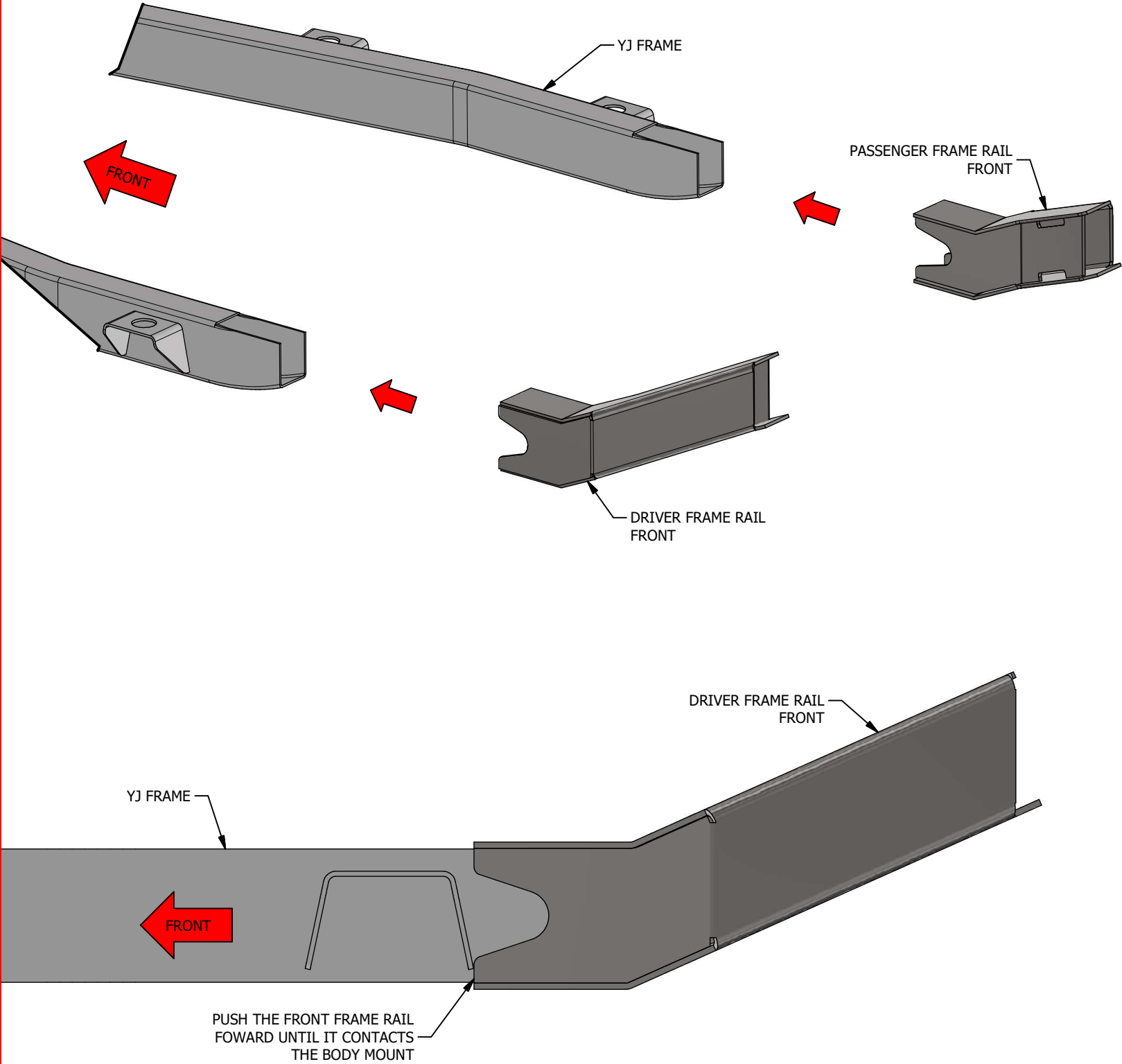
MB3067 - Assembly Instructions YJ Stretch Back Half Frame Kit

FRAME PREPARATION



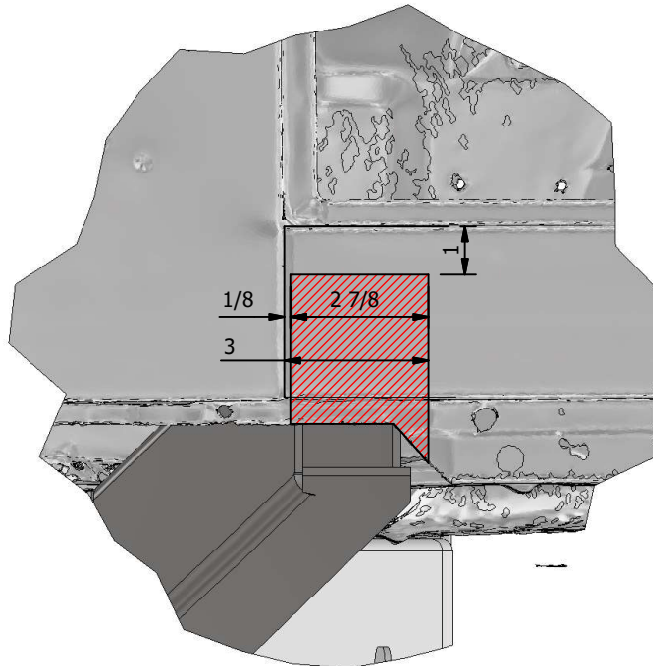
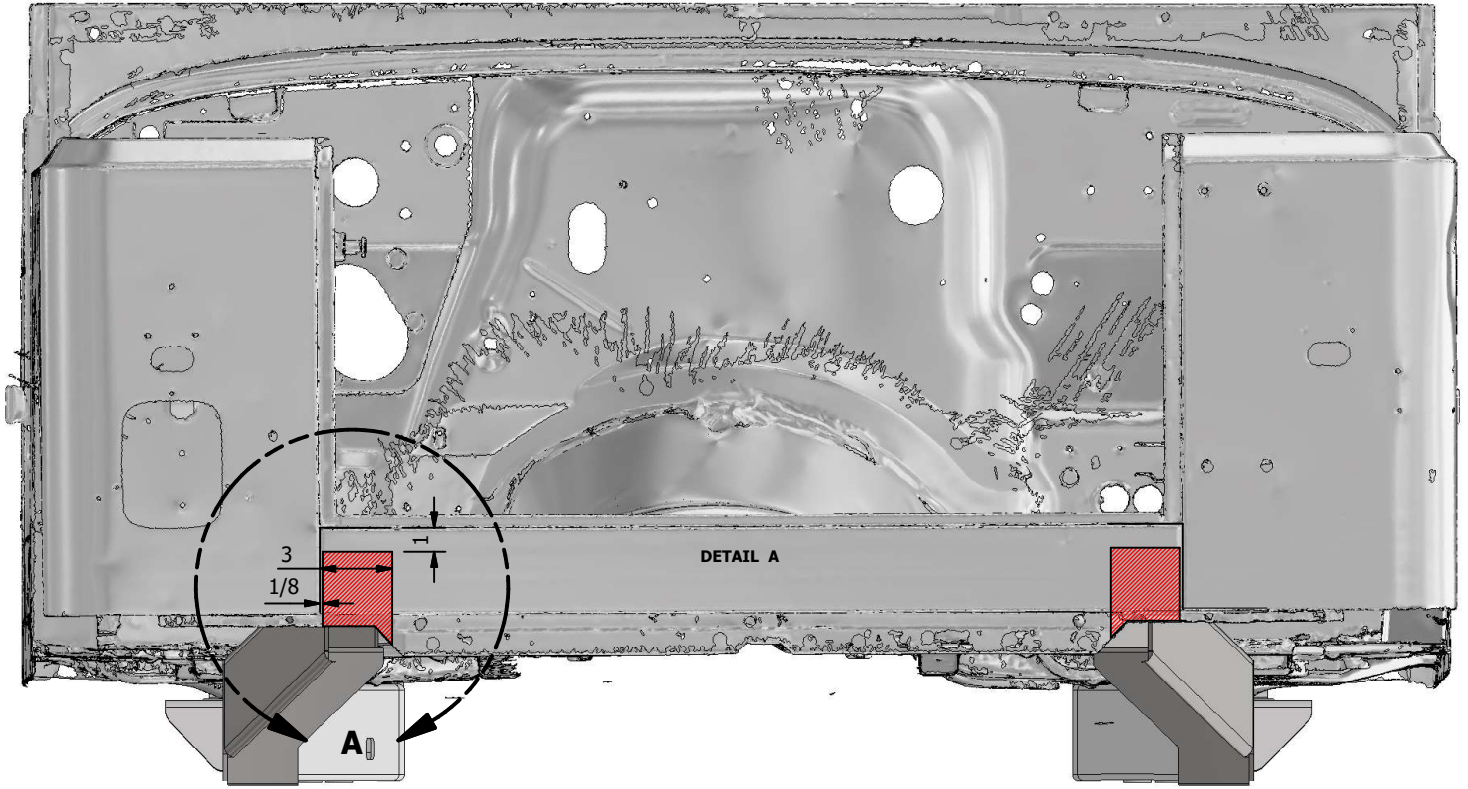
MB3067 - Assembly Instructions YJ Stretch Back Half Frame Kit

FRONT FRAME SECTION



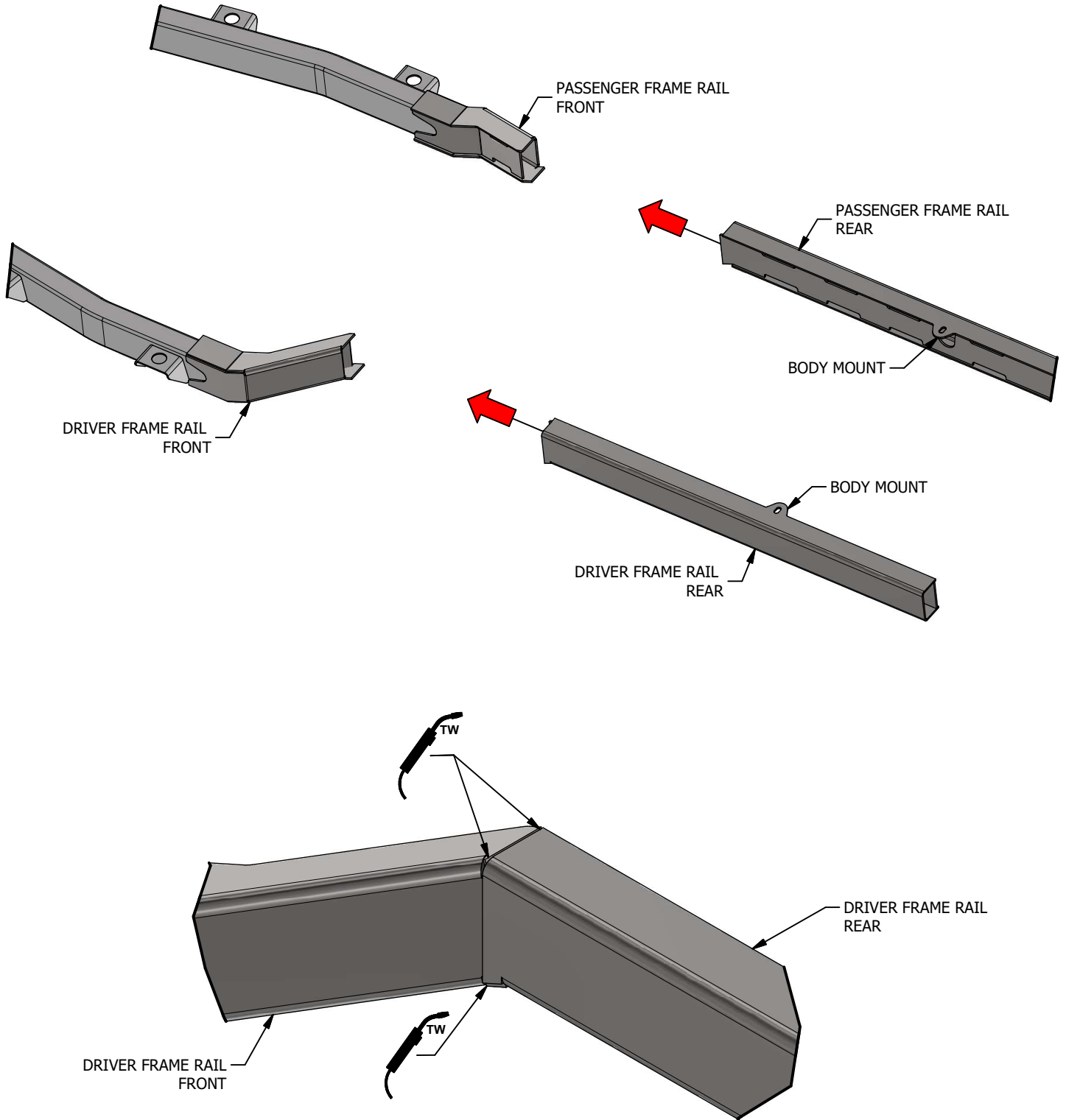
MB3067 - Assembly Instructions YJ Stretch Back Half Frame Kit

CLEARANCING THE BODY



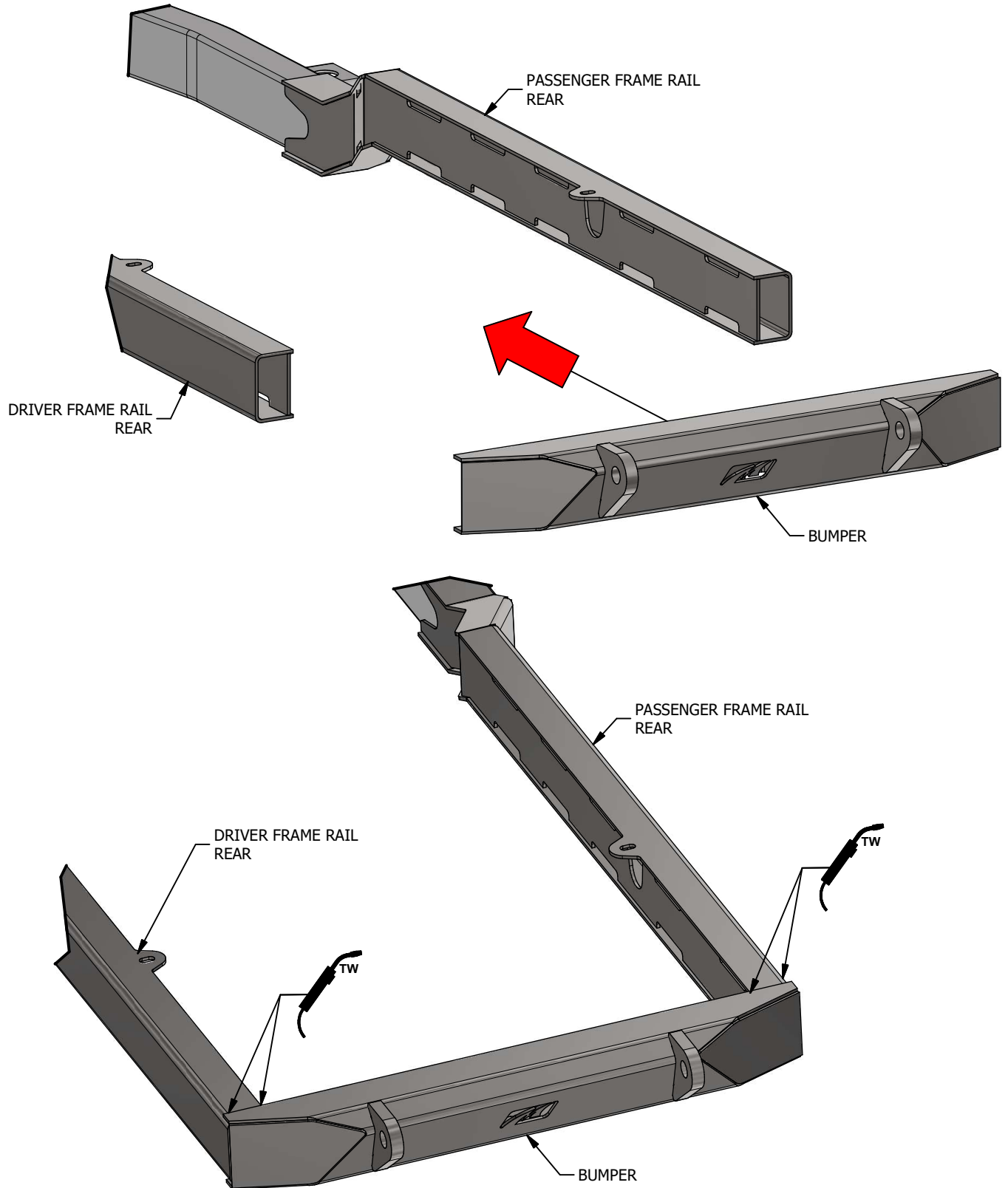
MB3067 - Assembly Instructions YJ Stretch Back Half Frame Kit

REAR FRAME SECTION



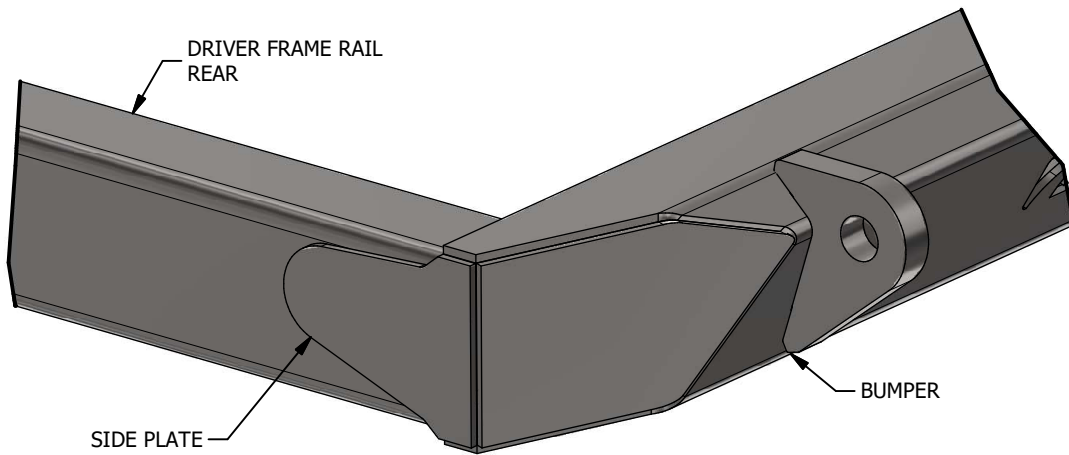
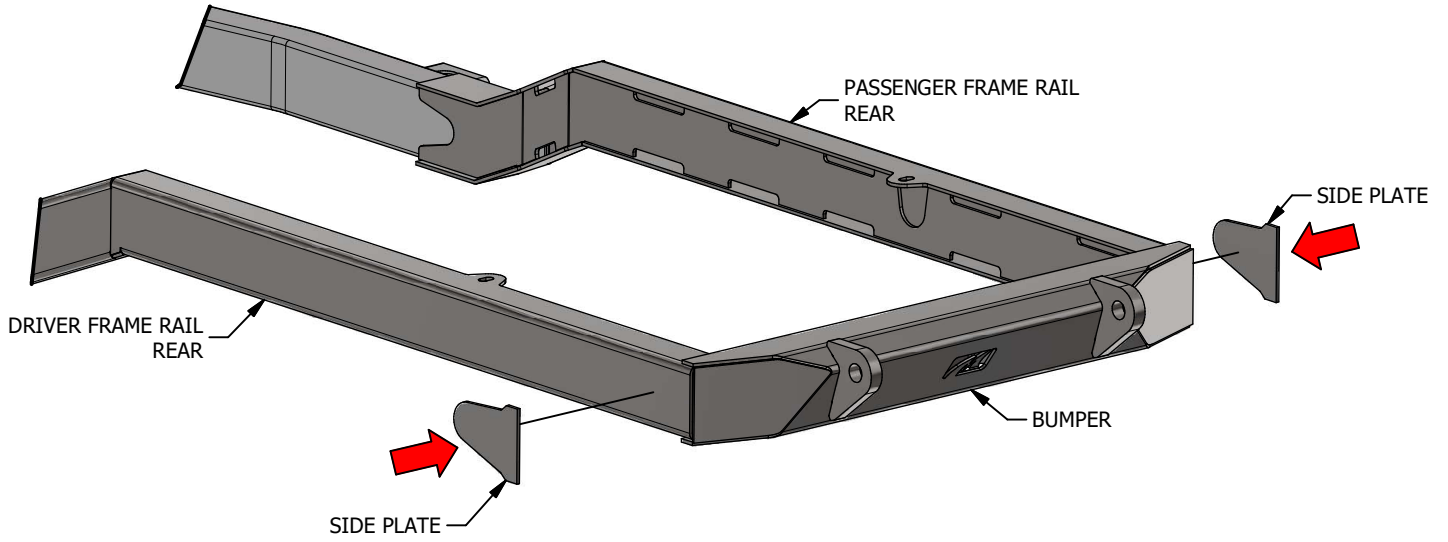
MB3067 - Assembly Instructions YJ Stretch Back Half Frame Kit

REAR BUMPER INSTALLATION



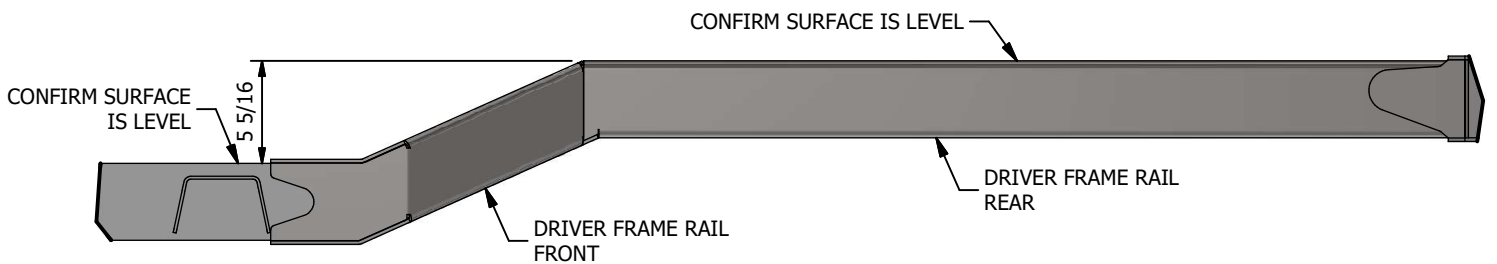
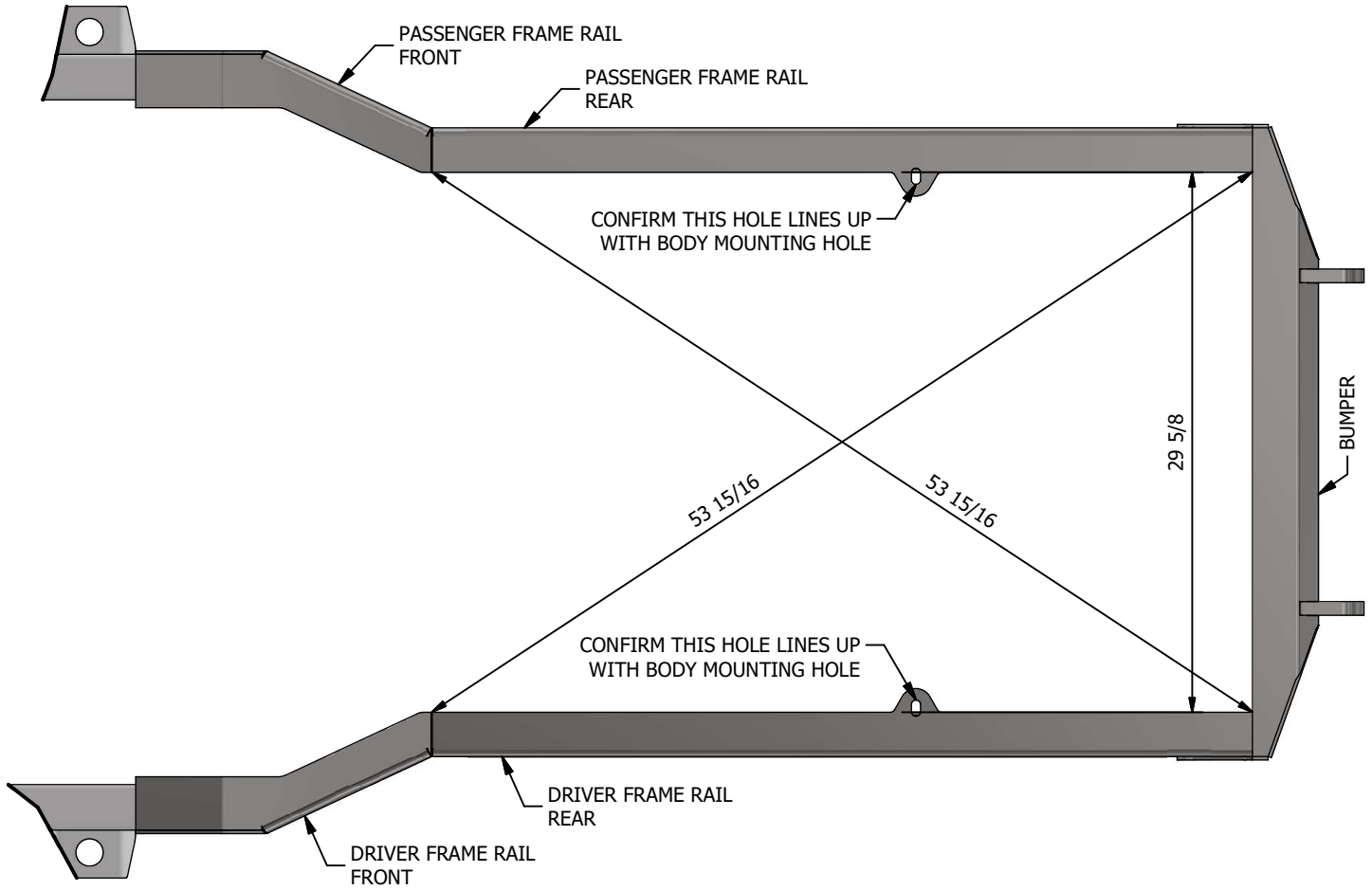
MB3067 - Assembly Instructions YJ Stretch Back Half Frame Kit

REAR BUMPER INSTALLATION



MB3067 - Assembly Instructions YJ Stretch Back Half Frame Kit

DIMENSION CONFIRMATION



MB3067 - Assembly Instructions YJ Stretch Back Half Frame Kit

FINISH WELD

