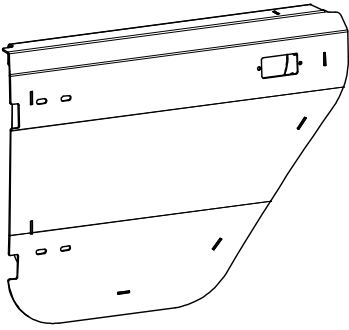


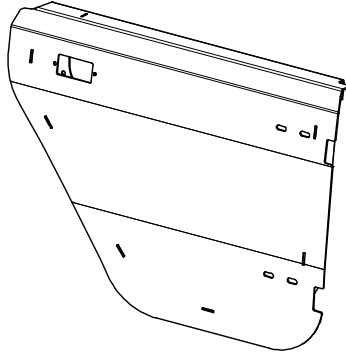
**MB3056 - Assembly Instructions Rear Half Doors JKU****MB3056 - REAR HALF DOOR****ASSEMBLY INSTRUCTIONS**

**MB3056 - Assembly Instructions Rear Half Door JKU**

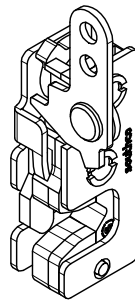
**KIT COMPONENTS**



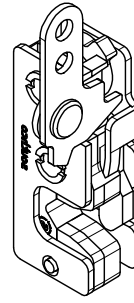
**MB3056 - DRIVER**  
Qty: 1



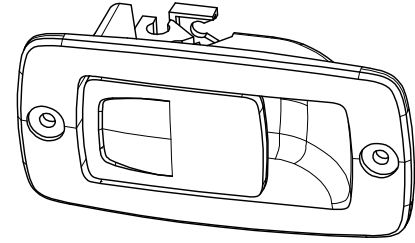
**MB3056 - PASSENGER**  
Qty: 1



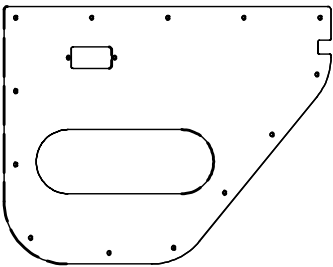
**DOOR LATCH DRIVER**  
Qty: 1



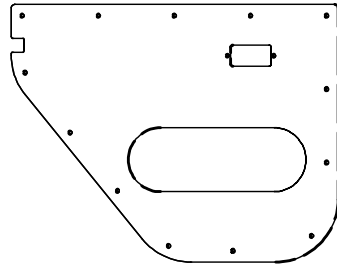
**DOOR LATCH PASSENGER**  
Qty: 1



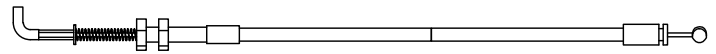
**DOOR HANDLE**  
Qty: 4



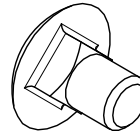
**MB3056-05 DRIVER**  
Qty: 1



**MB3056-05\_MIR PASSENGER**  
Qty: 1



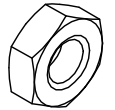
**RELEASE CABLE**  
Qty: 4



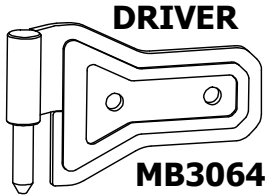
**CARRIAGE BOLT 5/16"-18 x 1/2"**  
Qty: 2



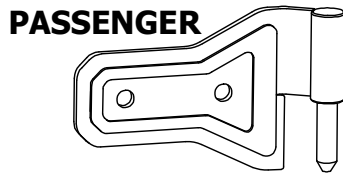
**FLAT WASHER 5/16"**  
Qty: 2



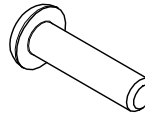
**HEX NUT 5/16"-18**  
Qty: 2



**MB3064-JKT DRIVER**  
Qty: 1



**MB3064\_MIR-JKT PASSENGER**  
Qty: 1



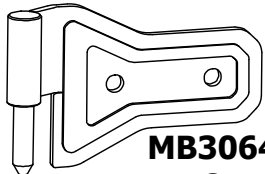
**BUTTON HEAD SCREW #10-24 x 3/4"**  
Qty: 35



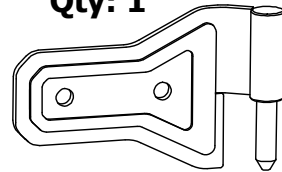
**FLAT WASHER #10**  
Qty: 8



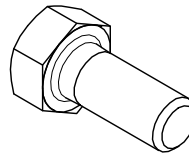
**HEX NUT #10-24**  
Qty: 8



**MB3064-JKB DRIVER**  
Qty: 1



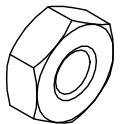
**MB3064\_MIR-JKB PASSENGER**  
Qty: 1



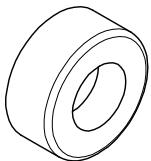
**HEX BOLT 5/16"-18 x 3/4" GR5**  
Qty: 8



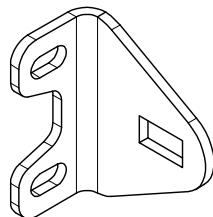
**FLAT WASHER 5/16"**  
Qty: 16



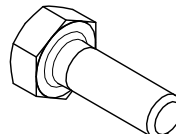
**NYLOCK NUT 5/16"-18**  
Qty: 8



**RUBBER BUMPER**  
Qty: 2



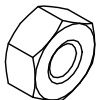
**MB3059-01**  
Qty: 2



**HEX BOLT 1/4"-20 x 3/4"**  
Qty: 8



**FLAT WASHER 1/4"**  
Qty: 12



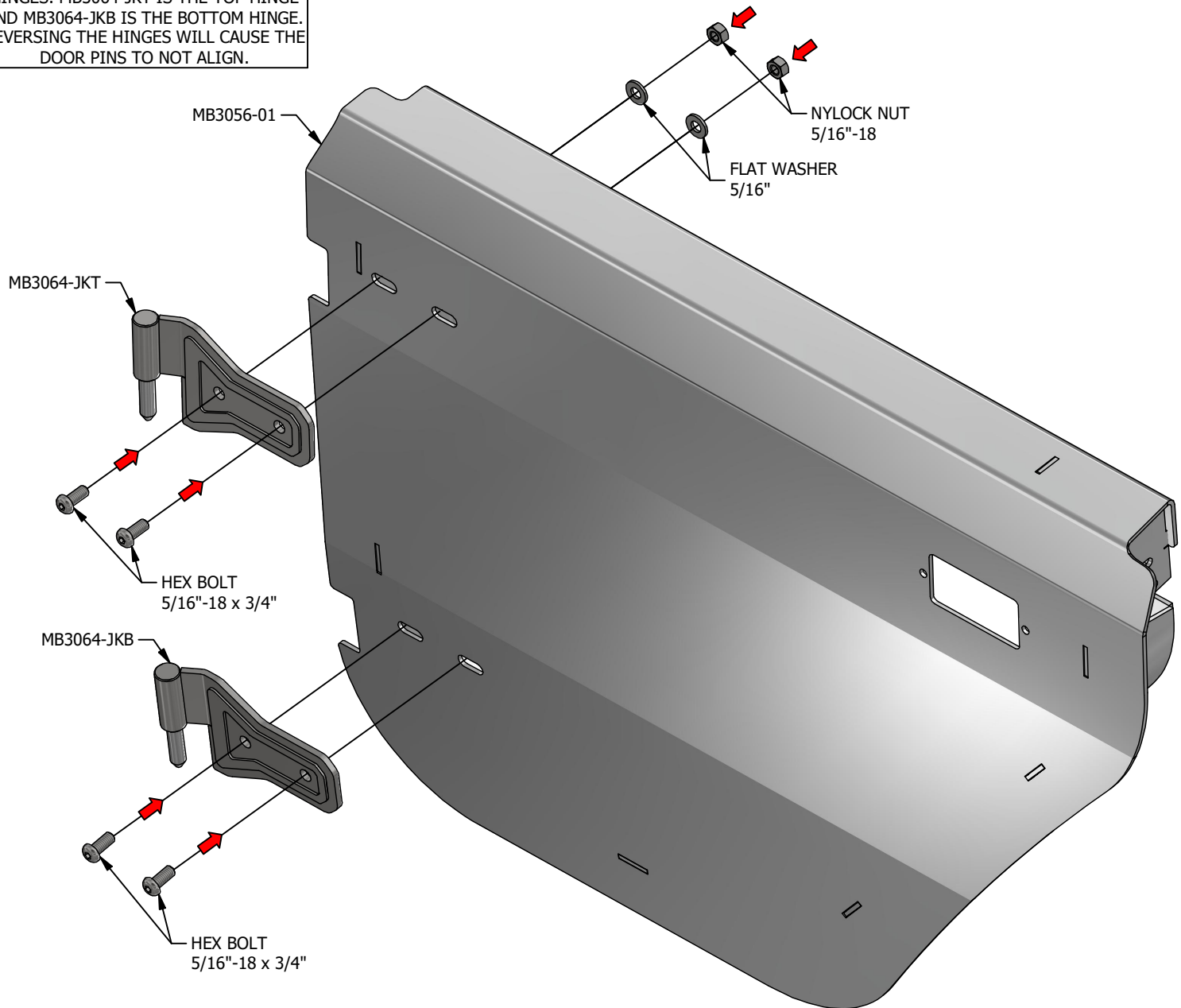
**NYLOCK NUT 1/4"-20**  
Qty: 4



**CABLE RETAINER**  
Qty: 4

**MB3056 - Assembly Instructions Rear Half Doors JKU****HINGE ASSEMBLY**

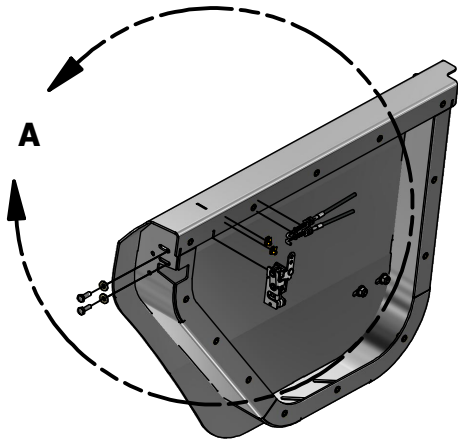
NOTE THE POSITION OF THE DOOR HINGES. MB3064-JKT IS THE TOP HINGE AND MB3064-JKB IS THE BOTTOM HINGE. REVERSING THE HINGES WILL CAUSE THE DOOR PINS TO NOT ALIGN.



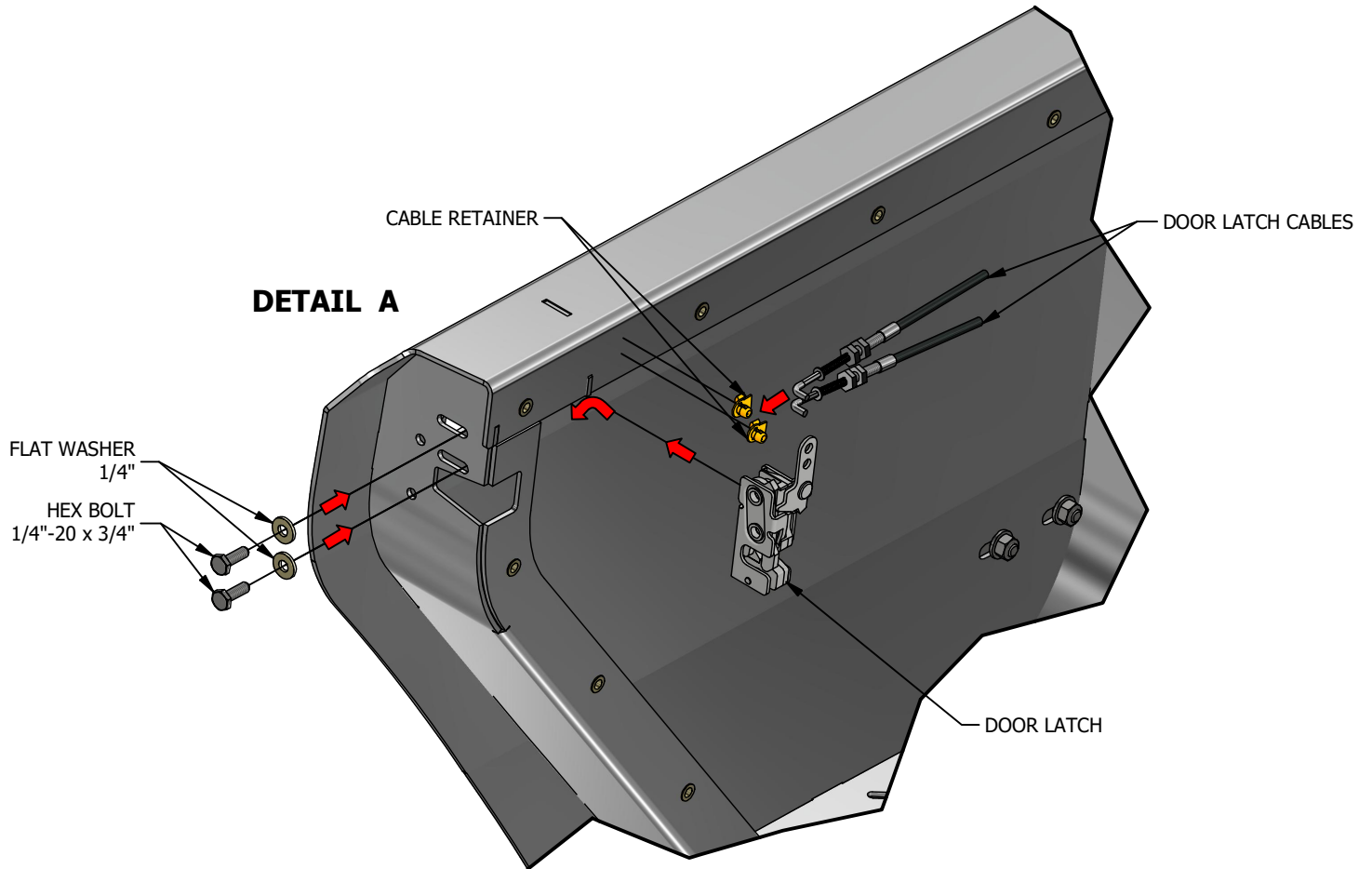
INSTALL THE HINGE ASSEMBLY ON TO THE DOOR, BUT DO NOT FULLY TIGHTEN THE HARDWARE.

**MB3056 - Assembly Instructions1**

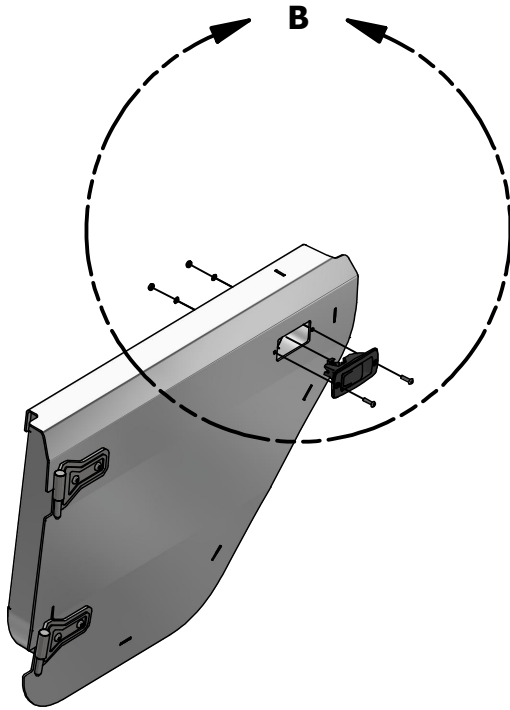
**DOOR LATCH MECHANISM**



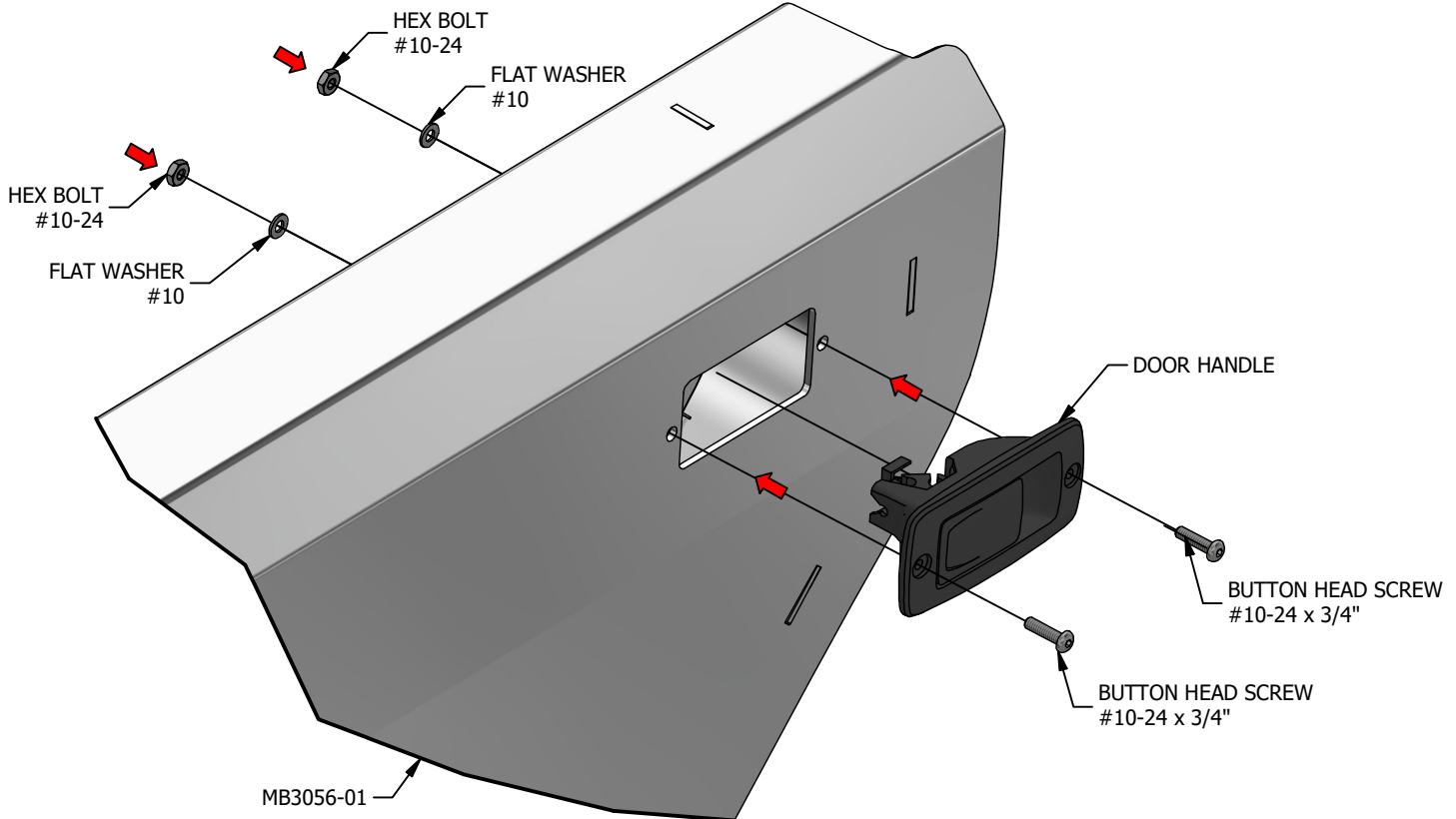
INSTALL THE LATCH MECHANISM ON TO THE DOOR, BUT DO NOT FULLY TIGHTEN THE HARDWARE.

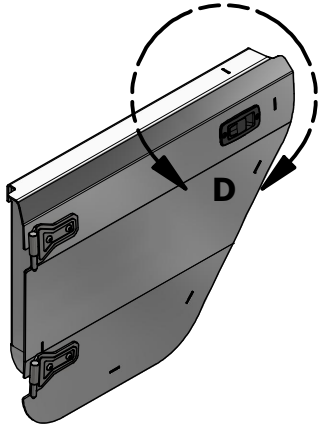


**MB3056 - Assembly Instructions Rear Half Doors JKU**

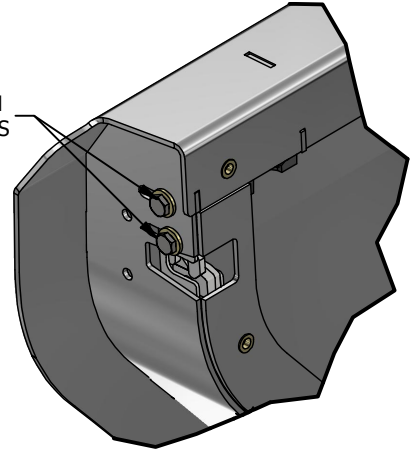


**DETAIL B**



**MB3056 - Assembly Instructions Rear Half Doors JKU****EXTERIOR DOOR HANDLE**

DOOR LATCH  
ADJUSTMENT BOLTS

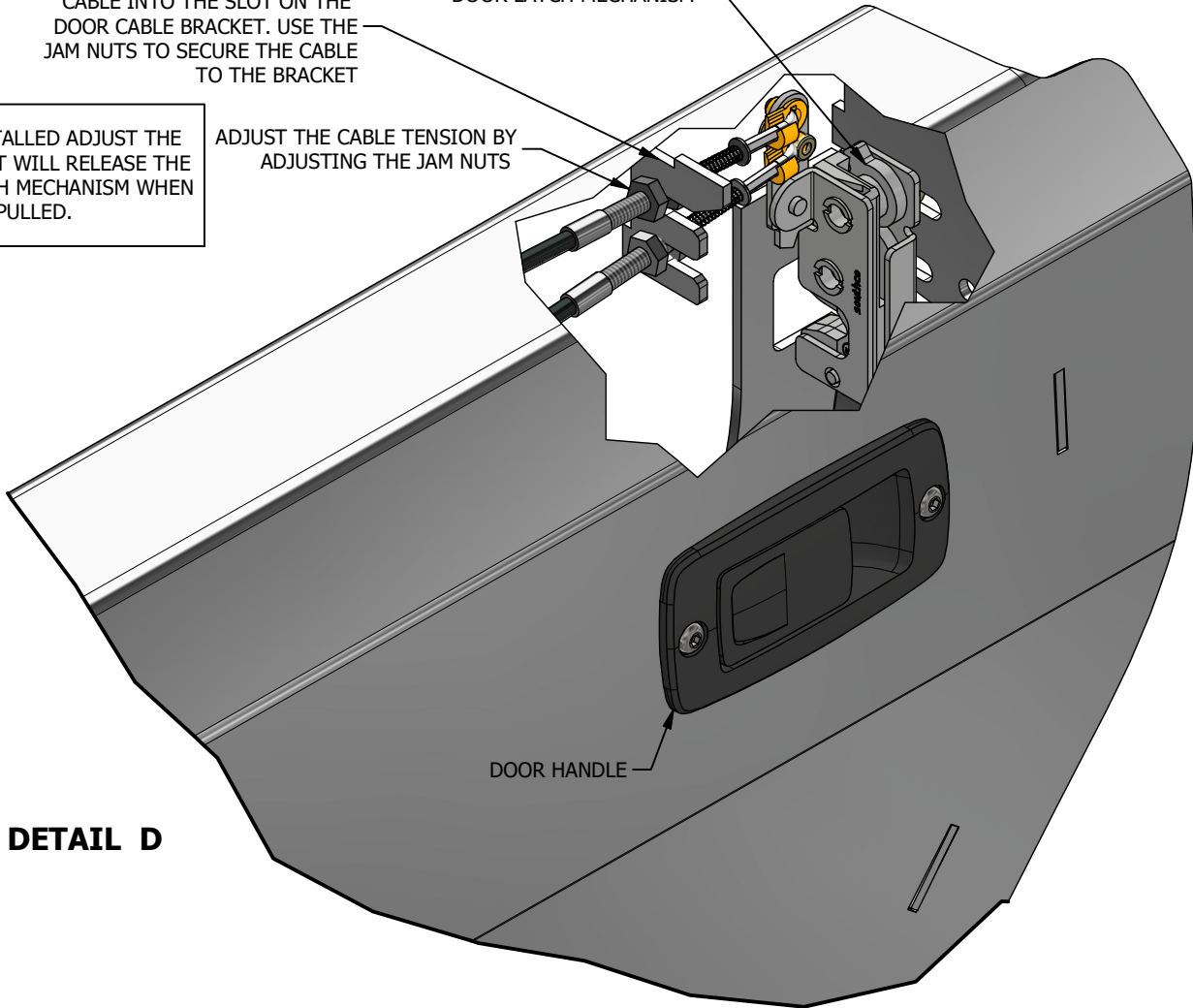


INSERT THE EXTERIOR DOOR  
CABLE INTO THE SLOT ON THE  
DOOR CABLE BRACKET. USE THE  
JAM NUTS TO SECURE THE CABLE  
TO THE BRACKET

DOOR LATCH MECHANISM

ONCE INSTALLED ADJUST THE  
CABLE SO IT WILL RELEASE THE  
DOOR LATCH MECHANISM WHEN  
PULLED.

ADJUST THE CABLE TENSION BY  
ADJUSTING THE JAM NUTS

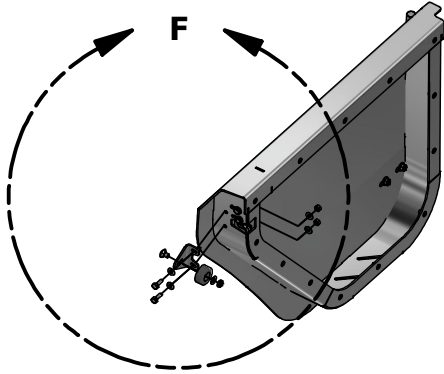


**DETAIL D**

TEST FIT THE DOOR ON THE JEEP. ADJUST THE DOOR ON THE HINGES  
SO THERE IS AN EVEN REVEAL AROUND THE DOOR AND JEEP BODY.  
NEXT ADJUST THE DOOR LATCH SO IT OPENS AND CLOSSES PROPERLY.

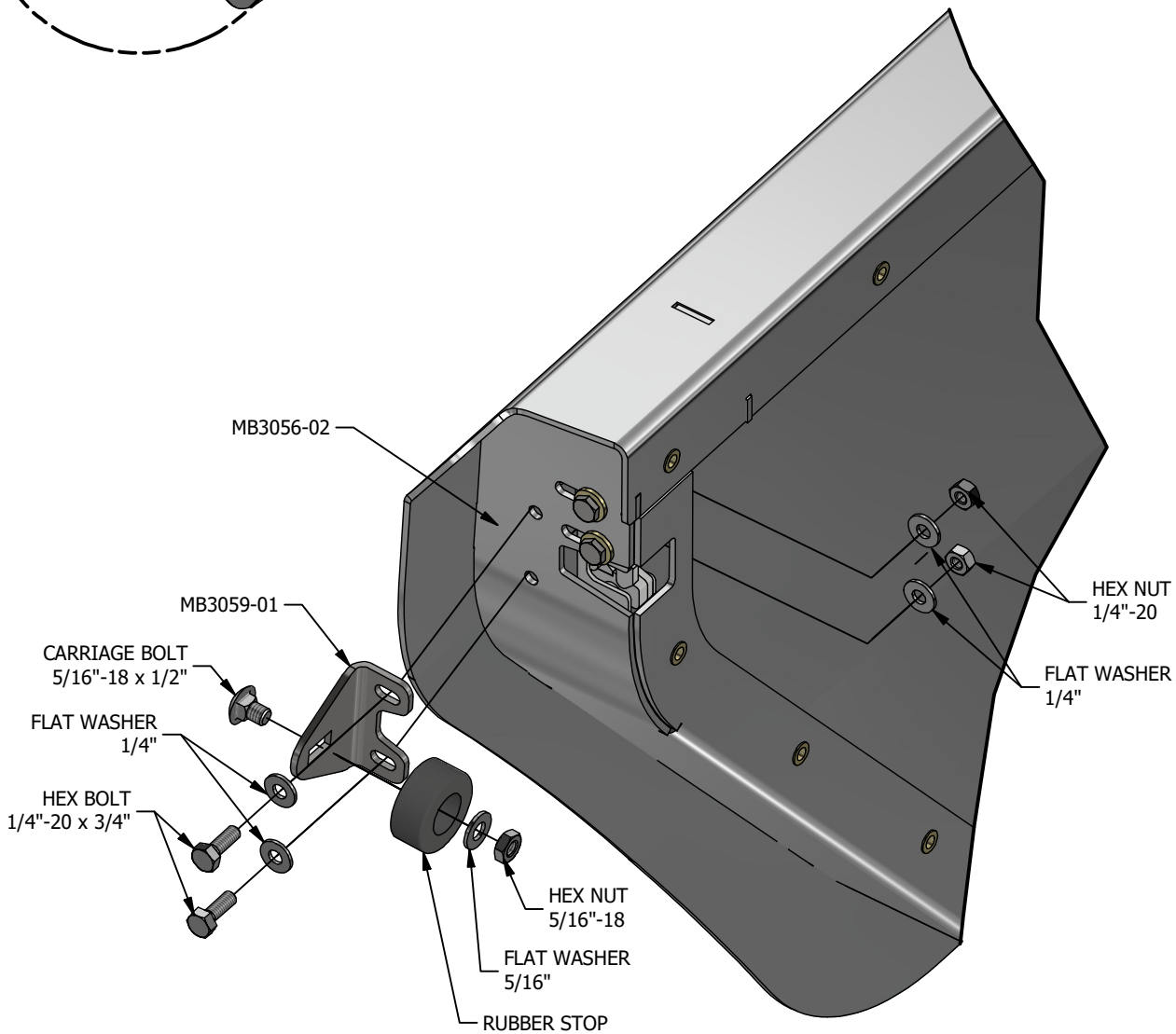
**MB3056 - Assembly Instructions Front Half Door JK/JKU**

**DOOR BUMP STOP**



**POSITIONING THE BUMP STOP**

INSTALL THE DOOR BUMP STOP TO THE DOOR, BUT DO NOT FULLY TIGHTEN THE BOLTS HOLDING THE DOOR BRACKET (MB3059-01) TO MB3056-02. STARTING WITH THE MB3059-01 POSITIONED TOWARDS THE INTERIOR, GENTLY CLOSE THE DOOR SO THE DOOR STOP SLIDES INTO PLACE. NEXT OPEN THE DOOR AND SLIDE THE BRACKET (MB3059-01) TOWARDS THE INTERIOR OF THE VEHICLE SO THERE IS SUFFICIENT PRE-LOAD ON THE DOOR WHEN CLOSED.



**MB3055 - Assembly Instructions Front Half Door JK/JKU**

**INTERIOR DOOR HANDLE**

