

MB3055 - FRONT HALF DOORS

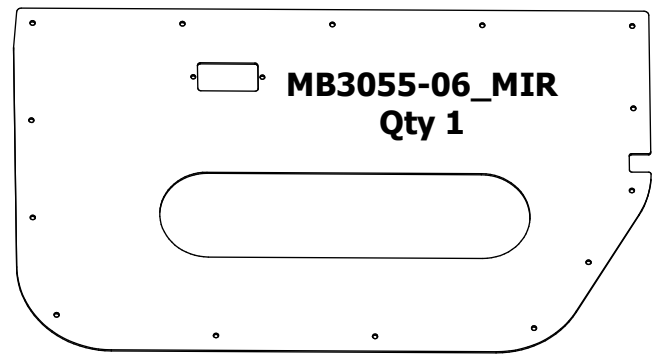
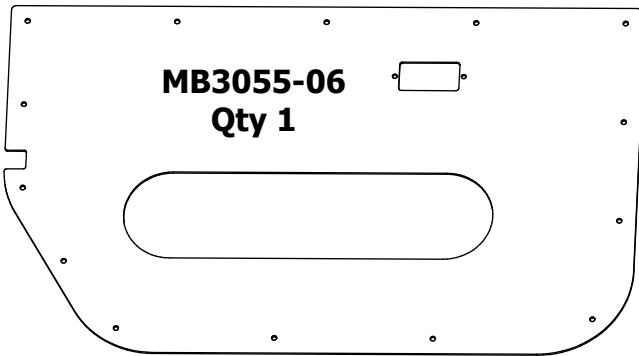
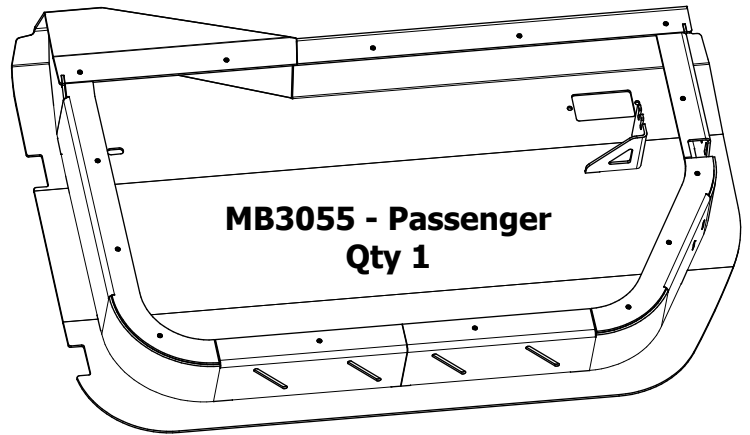
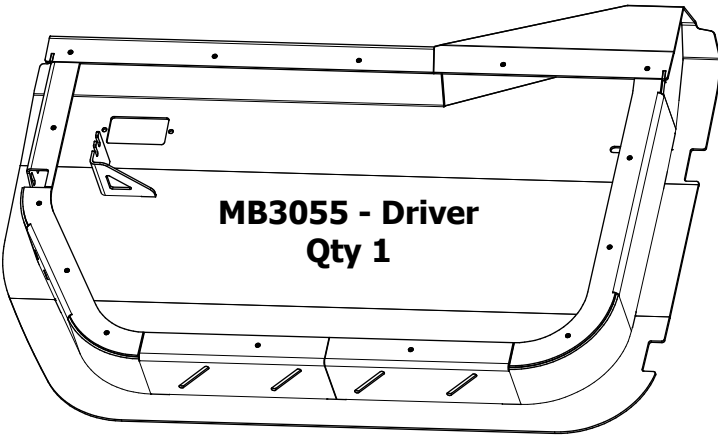
COMPATIBLE WITH JEEP JK/JKU



ASSEMBLY INSTRUCTIONS

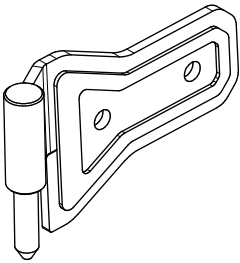
MB3055 - Assembly Instructions Front Half Doors JK/JKU

CONTENTS

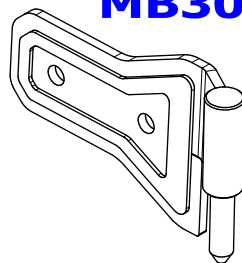


BAG LABELED AS

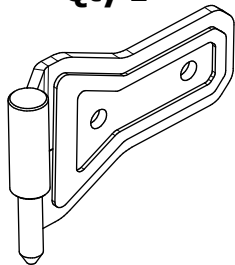
MB3055-KIT01



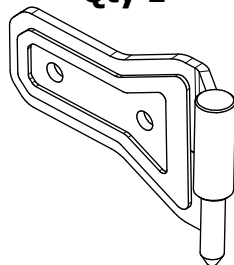
MB3064-JKT
Hinge, Upper Driver
Qty 1



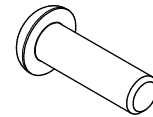
MB3064-JKT_MIR
Hinge, Upper Passenger
Qty 1



MB3064-JKB
Hinge, Lower Driver
Qty 1



MB3064-JKB_MIR
Hinge, Lower Passenger
Qty 1



Round Head Screw, Stainless
5/16"-18 UNC x 1.00" Long
Qty 8



Flat Washer, Stainless
5/16"
Qty 16



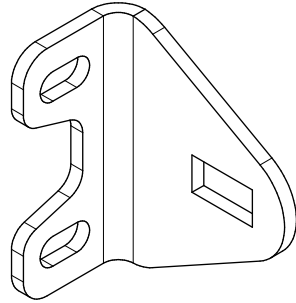
Nylock Nut, Zinc
5/16" UNC
Qty 8

MB3055 - Assembly Instructions Front Half Doors JK/JKU

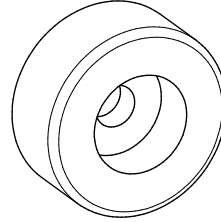
CONTENTS

BAG LABELED AS

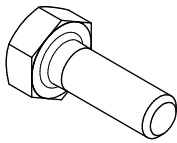
MB3055-KIT02



MB3059-01
Qty 2



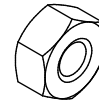
Rubber Bumper
Qty 2



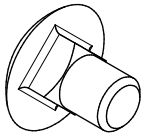
Hex Bolt
1/4"-20 UNC x 3/4" Long
Qty 4



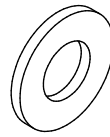
Flat Washer
1/4"
Qty 8



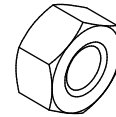
Nylock Nut
1/4"-20 UNC
Qty 4



Carriage Bolt
5/16"-18 UNC x 3/4" Long
Qty 2



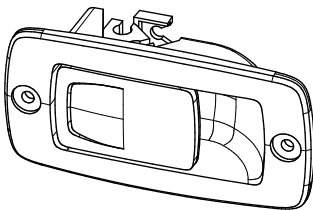
Flat Washer, Stainless
5/16"
Qty 2



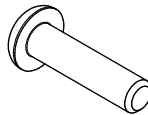
Nylock Nut, Stainless
5/16"-18 UNC
Qty 2

BAG LABELED AS

MB3055-KIT03



Paddle Actuator
Qty 4



Round Head Screw
#10-24 x 3/4" Long
Qty 42



Flat Washer
M6
Qty 8



Nylock Nut
#10-24 UNC
Qty 8

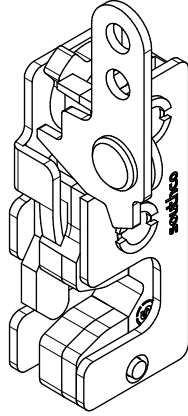


Release Cable
Qty 4

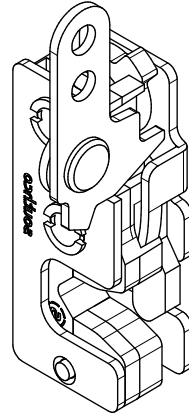
MB3055 - Assembly Instructions Front Half Doors JK/JKU

CONTENTS

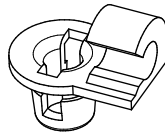
BAG LABELED AS
MB3055-KIT04



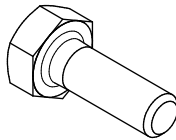
**Rotary Latch
Driver Side Door
Qty 1**



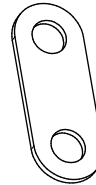
**Rotary Latch
Passenger Side Door
Qty 1**



**Cable Retainer
Qty 4**



**Hex Bolt
1/4"-20 UNC x 3/4" Long
Qty 4**



**MB2190
Rotary Latch Spacer Washer
Qty 4**

MB3055 - Assembly Instructions Front Half Doors JK/JKU

ASSEMBLY - STEP 1

HINGE NOTE:

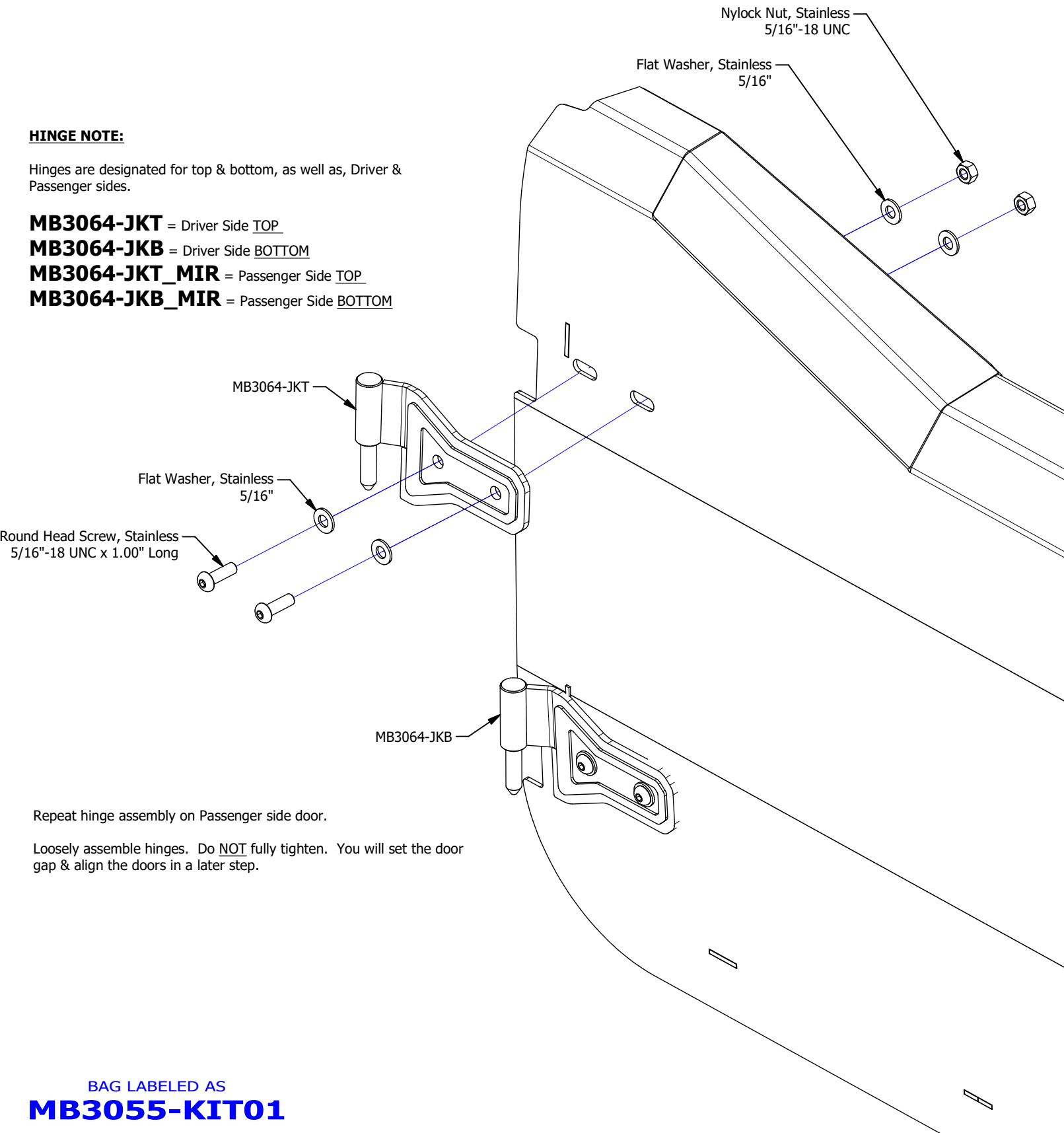
Hinges are designated for top & bottom, as well as, Driver & Passenger sides.

MB3064-JKT = Driver Side TOP

MB3064-JKB = Driver Side BOTTOM

MB3064-JKT_MIR = Passenger Side TOP

MB3064-JKB_MIR = Passenger Side BOTTOM



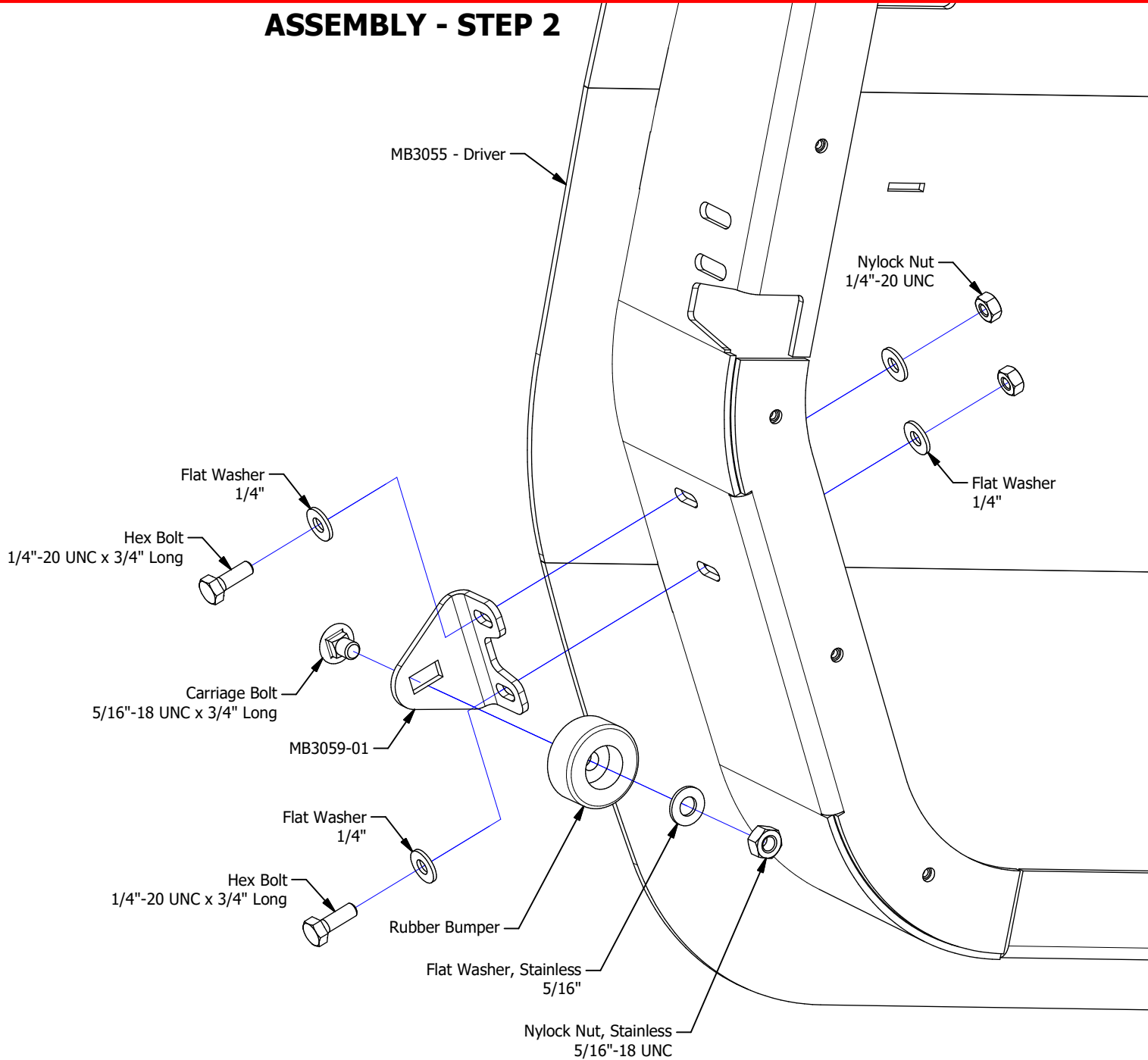
Repeat hinge assembly on Passenger side door.

Loosely assemble hinges. Do NOT fully tighten. You will set the door gap & align the doors in a later step.

BAG LABELED AS
MB3055-KIT01

MB3055 - Assembly Instructions Front Half Doors JK/JKU

ASSEMBLY - STEP 2



Repeat rubber bumper assembly on Passenger side door.

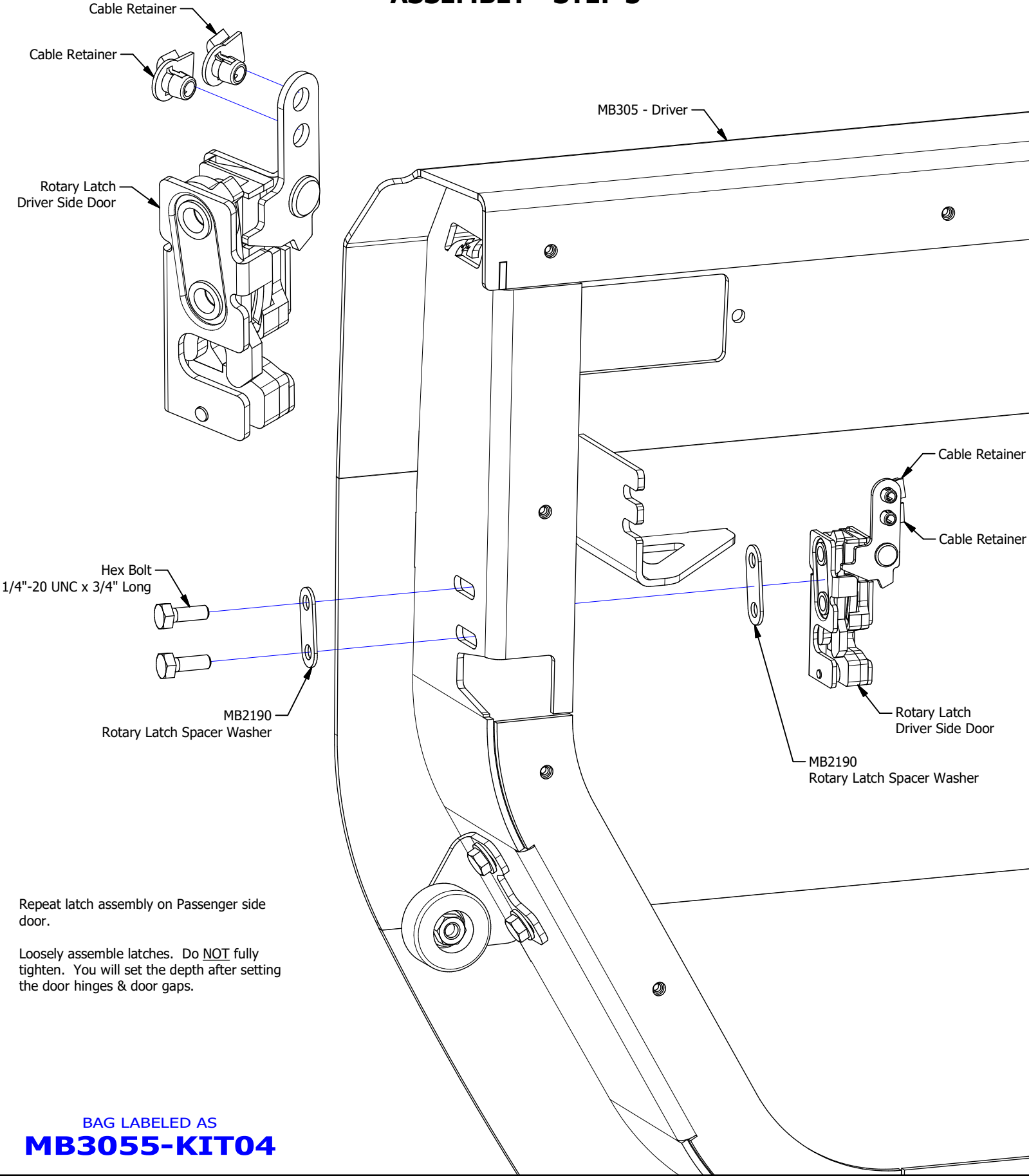
Tighten the fasteners for the rubber bumper.

Loosely assemble brackets. Do **NOT** fully tighten. You will set rubber bumper bracket depth after setting the door hinges & door gaps.

BAG LABELED AS
MB3055-KIT02

MB3055 - Assembly Instructions Front Half Doors JK/JKU

ASSEMBLY - STEP 3



Repeat latch assembly on Passenger side door.

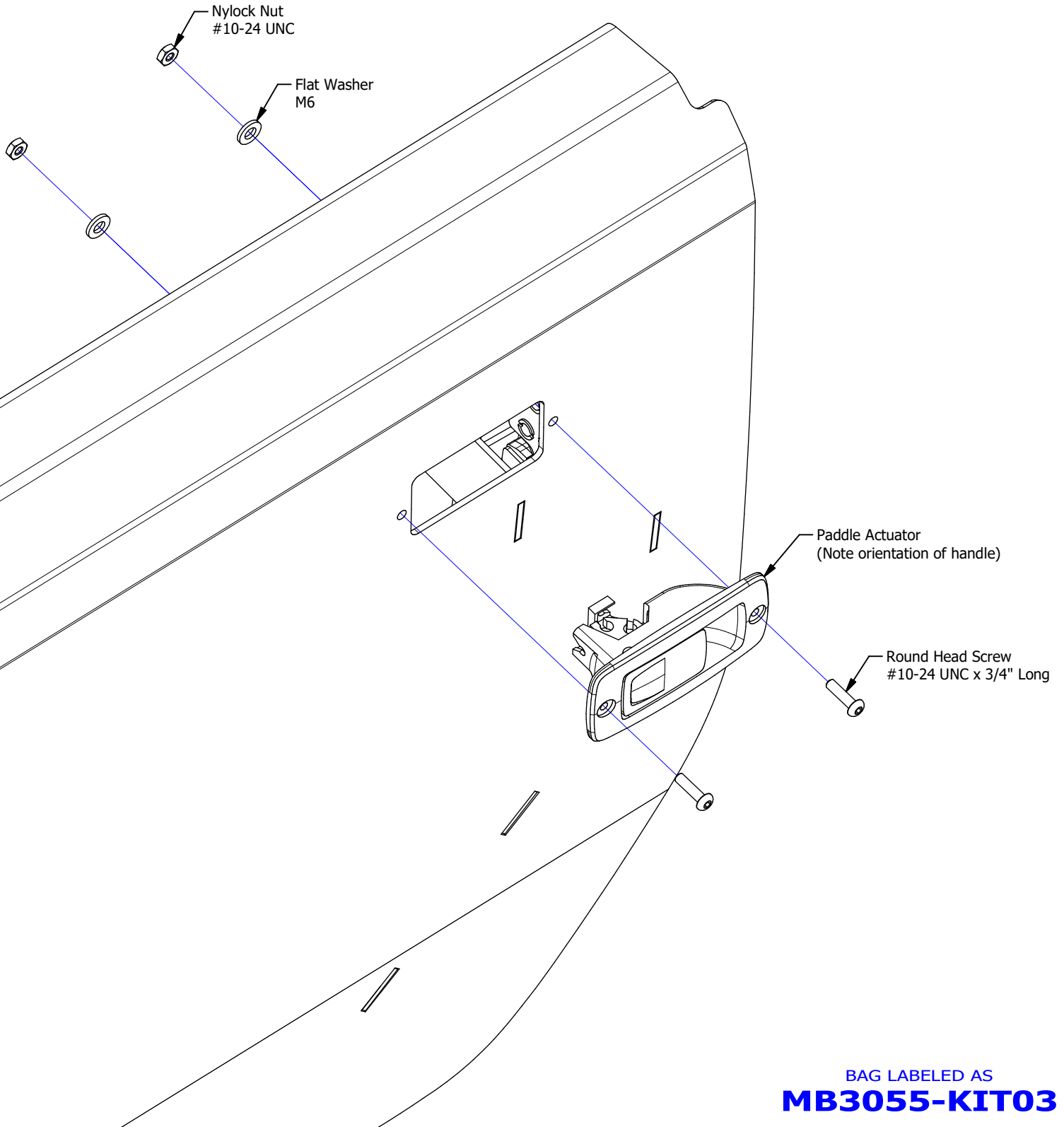
Loosely assemble latches. Do NOT fully tighten. You will set the depth after setting the door hinges & door gaps.

BAG LABELED AS
MB3055-KIT04

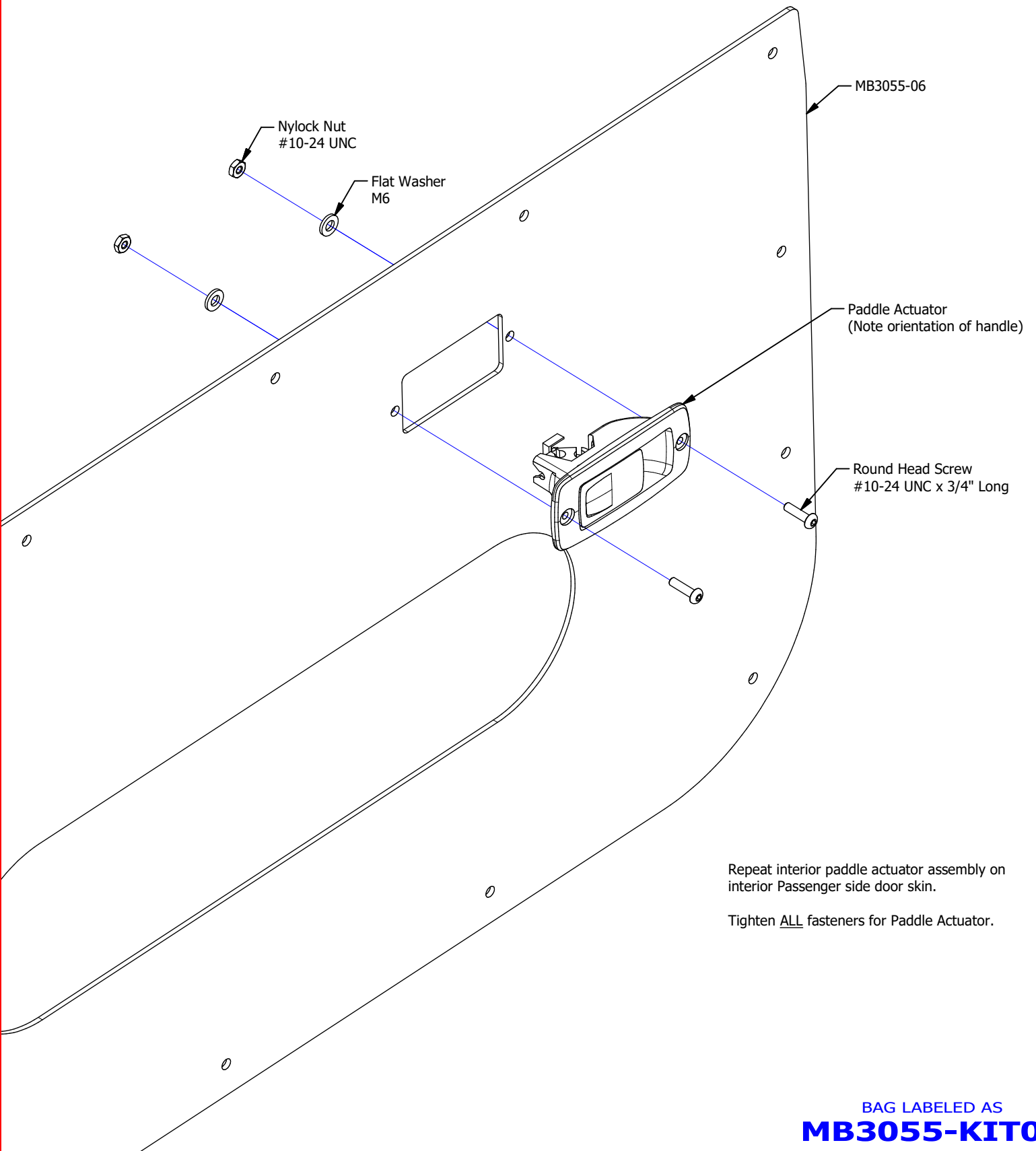
MB3055 - Assembly Instructions Front Half Doors JK/JKU**ASSEMBLY - STEP 4**

Repeat exterior paddle actuator assembly on Passenger side door.

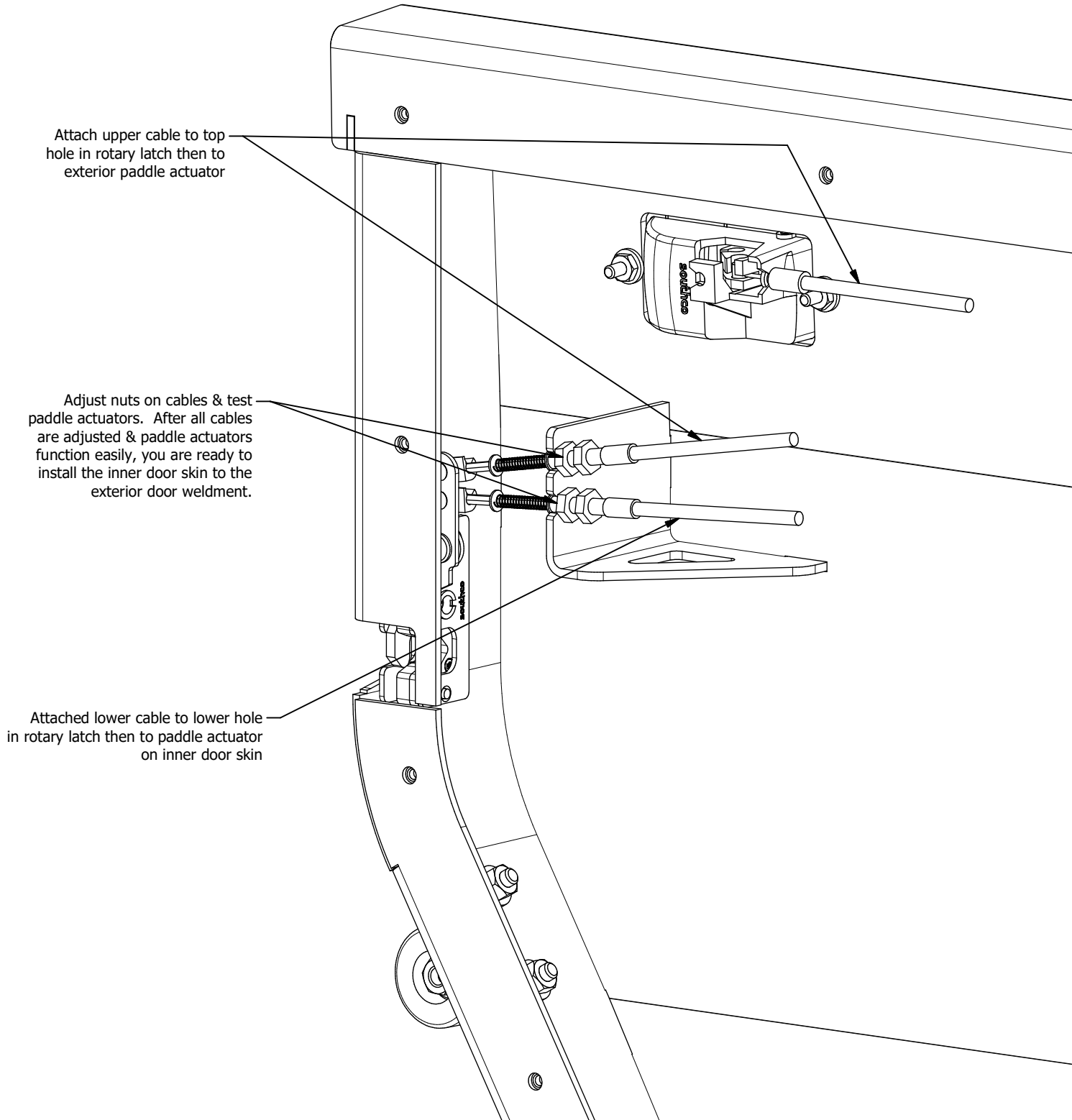
Tighten ALL fasteners for Paddle Actuator.



BAG LABELED AS
MB3055-KIT03

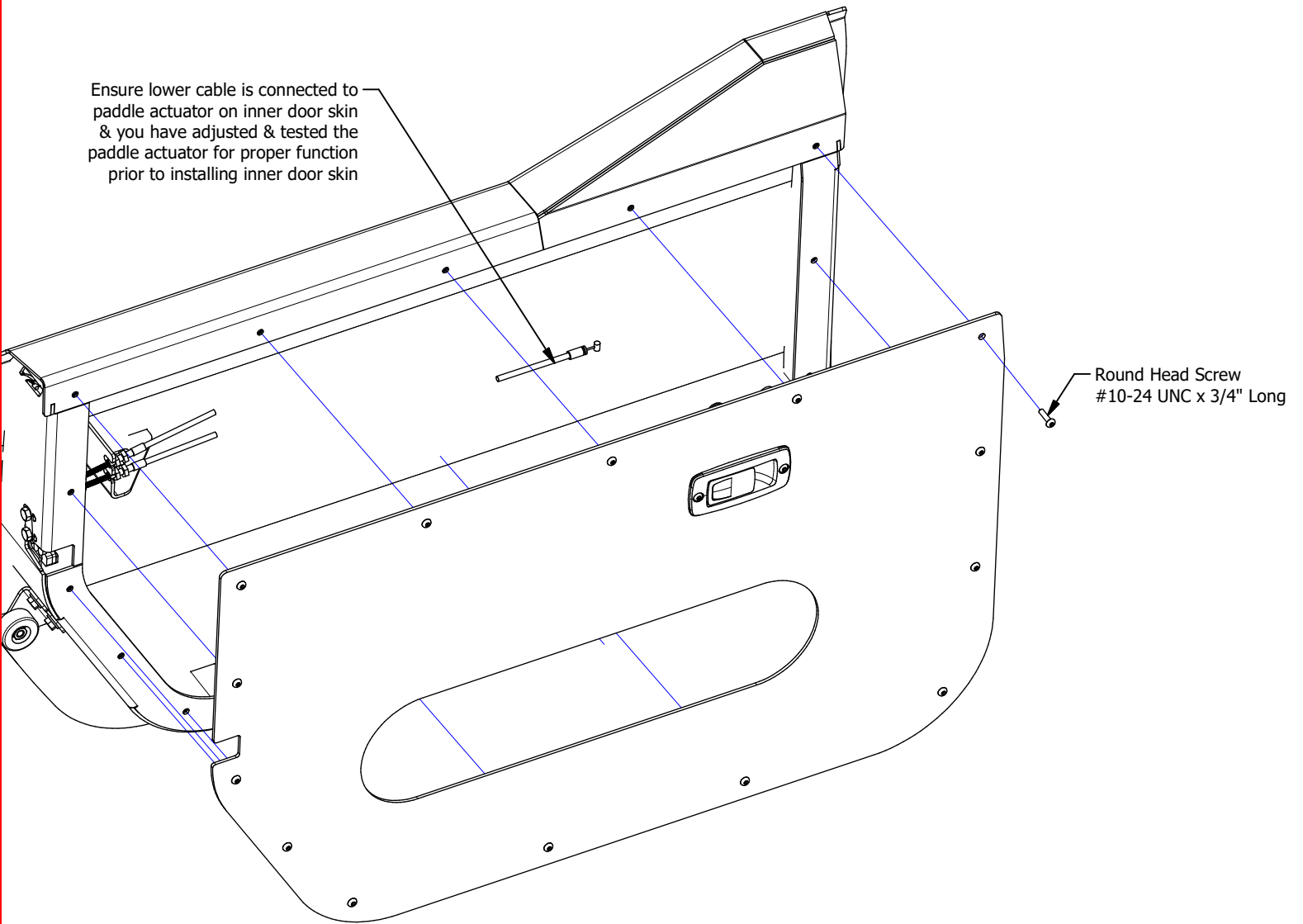
MB3055 - Assembly Instructions Front Half Doors JK/JKU**ASSEMBLY - STEP 5**

BAG LABELED AS
MB3055-KIT03

MB3055 - Assembly Instructions Front Half Doors JK/JKU**ASSEMBLY - STEP 6**

MB3055 - Assembly Instructions Front Half Doors JK/JKU**ASSEMBLY - STEP 7**

Ensure lower cable is connected to paddle actuator on inner door skin & you have adjusted & tested the paddle actuator for proper function prior to installing inner door skin



BAG LABELED AS
MB3055-KIT03

MB3055 - Assembly Instructions Front Half Doors JK/JKU

ASSEMBLY - STEP 8

FINAL ASSEMBLY & ADJUSTMENT

1. Ensure hinge bolts are loose
2. Place assembled half door on vehicle door hinges
3. Close the door & view the door from the side of the vehicle
4. Adjust the door to ensure there is an even reveal & gaps from left to right & top to bottom
5. With the door remaining closed, tighten the hinges bolts
6. Open the door & adjust the rotary latch fasteners as well as the rubber bumper so that the door latches smoothly & the door sits flush with the outer body

