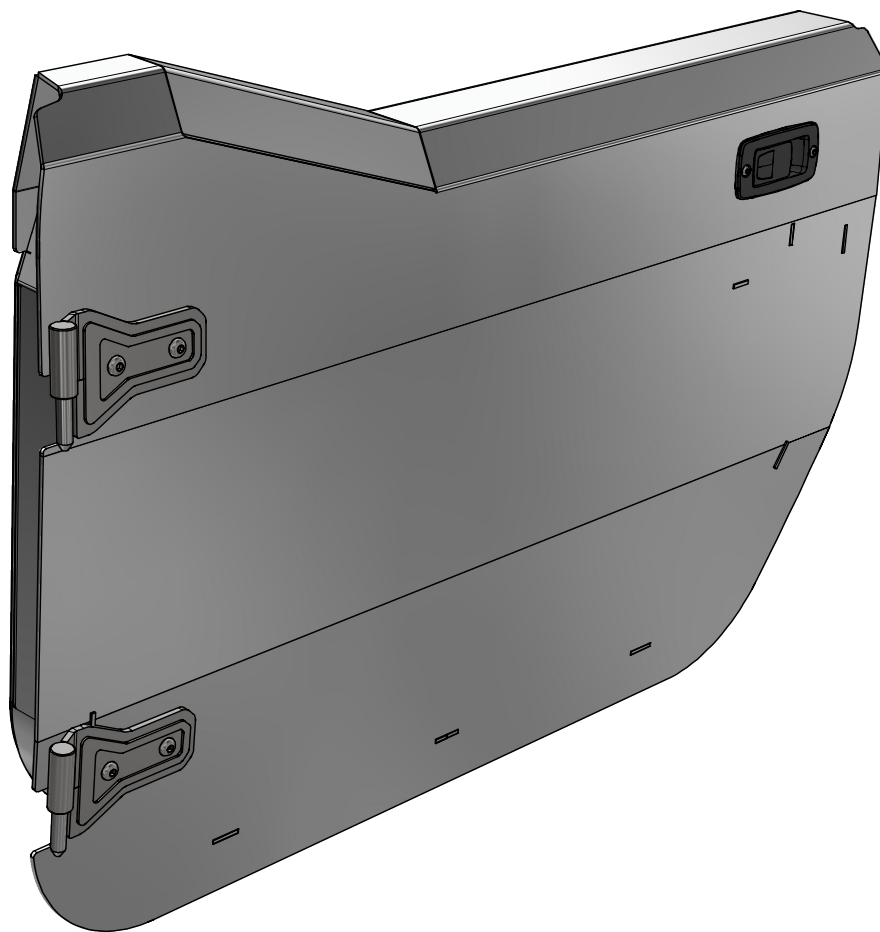
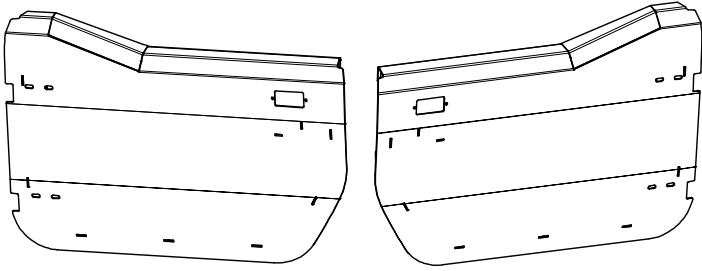
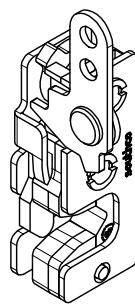
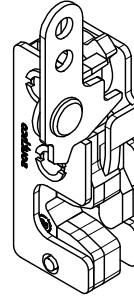
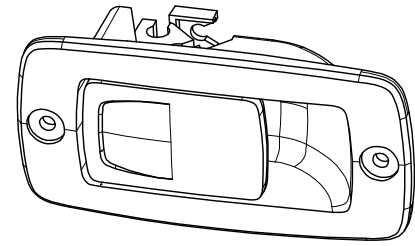
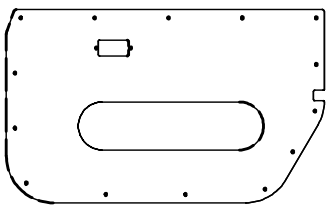
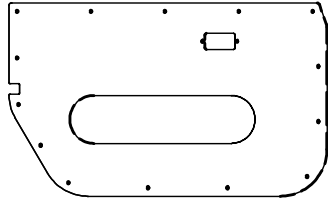
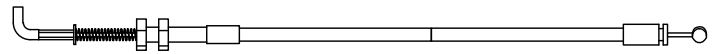
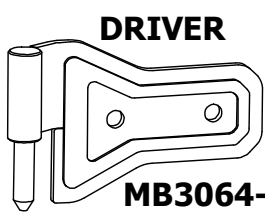
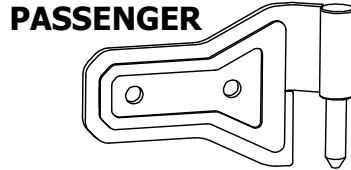
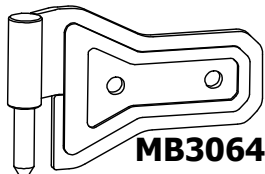
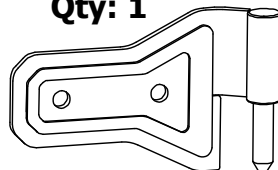
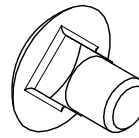
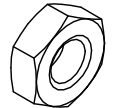
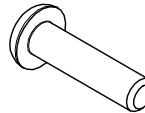


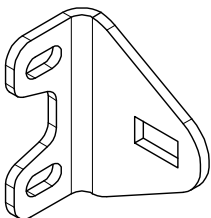
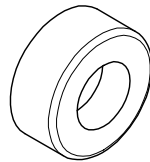
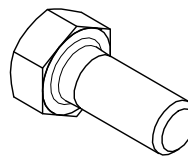
**MB3055 - Assembly Instructions Front Half Door JK/JKU****MB3055 - FRONT HALF DOOR****ASSEMBLY INSTRUCTIONS**

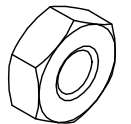
**MB3055 - Assembly Instructions Front Half Door JK/JKU**
**KIT COMPONENTS**

**MB3055 - DRIVER**  
Qty: 1

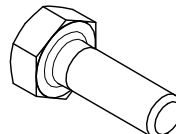
**MB3055 - PASSENGER**  
Qty: 1

**DOOR LATCH DRIVER**  
Qty: 1

**DOOR LATCH PASSENGER**  
Qty: 1

**DOOR HANDLE**  
Qty: 4

**MB3055-06**  
Qty: 1

**MB3055-06\_MIR**  
Qty: 1

**RELEASE CABLE**  
Qty: 4

**DRIVER**
**MB3064-JKT**  
Qty: 1

**PASSENGER**
**MB3064\_MIR-JKT**  
Qty: 1

**MB3064-JKB**  
Qty: 1

**MB3064\_MIR-JKB**  
Qty: 1

**CARRIAGE BOLT**  
5/16"-18 x 1/2"  
Qty: 2

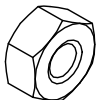
**FLAT WASHER**  
5/16"  
Qty: 2

**HEX NUT**  
5/16"-18  
Qty: 2

**BUTTON HEAD SCREW**  
#10-24 x 3/4"  
Qty: 36

**FLAT WASHER**  
#10  
Qty: 8

**HEX NUT**  
#10-24  
Qty: 8

**MB3059-01**  
Qty: 2

**RUBBER BUMPER**  
Qty: 2

**HEX BOLT**  
5/16"-18 x 3/4" GR5  
Qty: 8

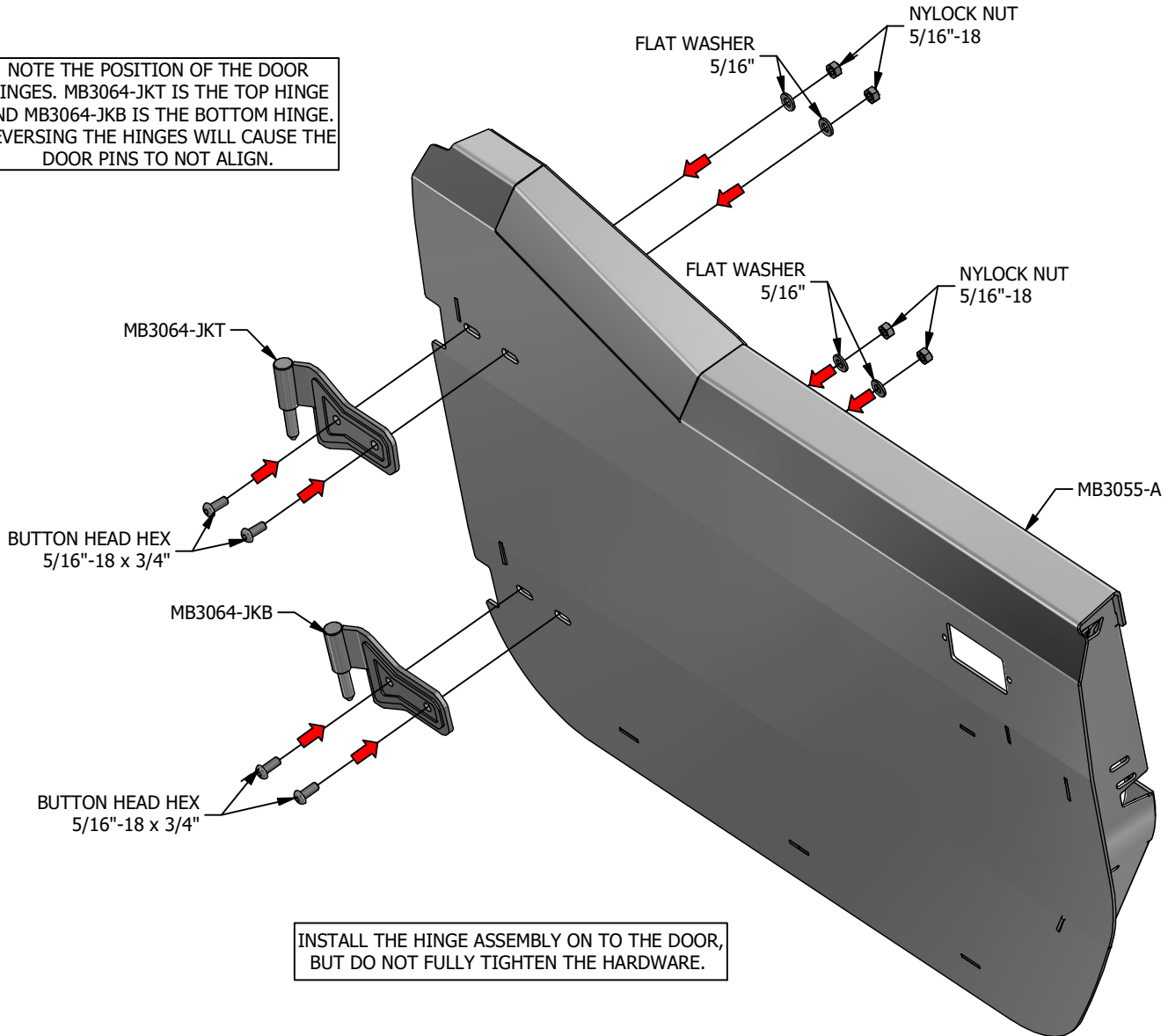
**FLAT WASHER**  
5/16"  
Qty: 16

**NYLOCK NUT**  
5/16"-18  
Qty: 8

**CABLE RETAINER**  
Qty: 4

**HEX BOLT**  
1/4"-20 x 3/4"  
Qty: 8

**FLAT WASHER**  
1/4"  
Qty: 12

**NYLOCK NUT**  
1/4"-20  
Qty: 4

**MB3055 - Assembly Instructions Front Half Door JK/JKU****HINGE ASSEMBLY**

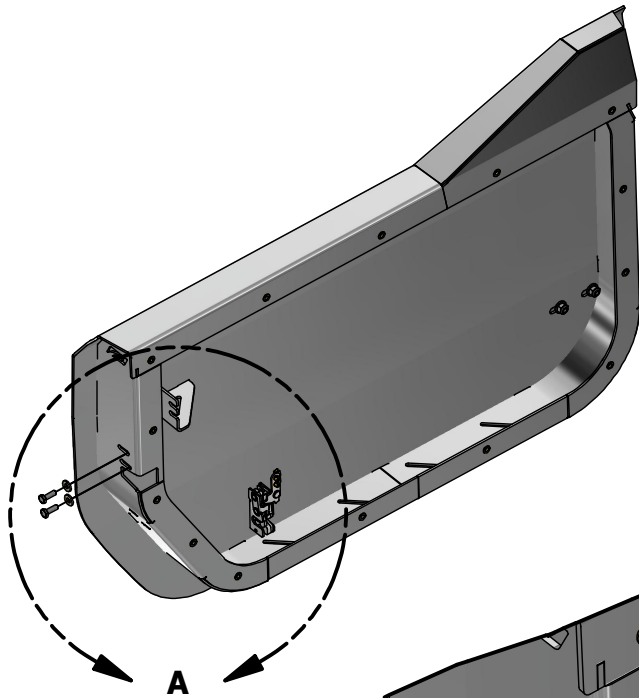
NOTE THE POSITION OF THE DOOR HINGES. MB3064-JKT IS THE TOP HINGE AND MB3064-JKB IS THE BOTTOM HINGE. REVERSING THE HINGES WILL CAUSE THE DOOR PINS TO NOT ALIGN.



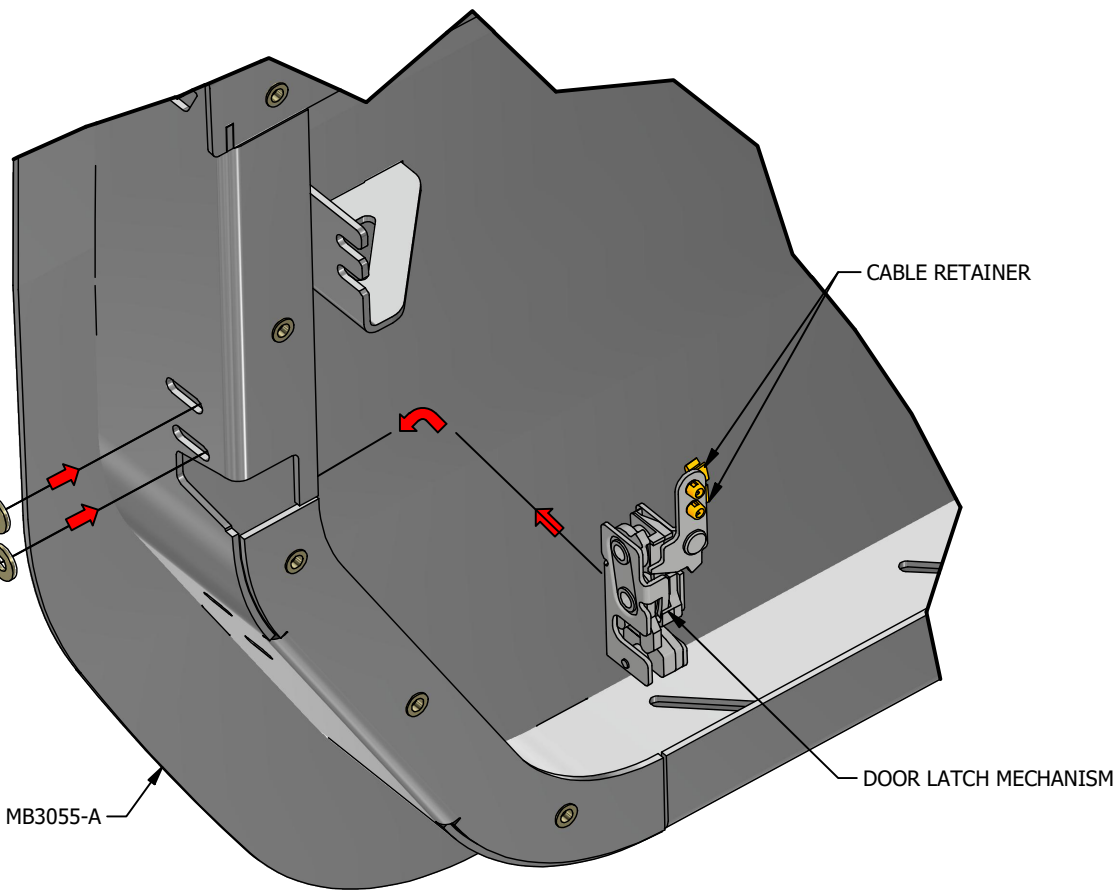
INSTALL THE HINGE ASSEMBLY ON TO THE DOOR, BUT DO NOT FULLY TIGHTEN THE HARDWARE.

**MB3055 - Assembly Instructions Front Half Door JK/JKU**

**DOOR LATCH MECHANISM**

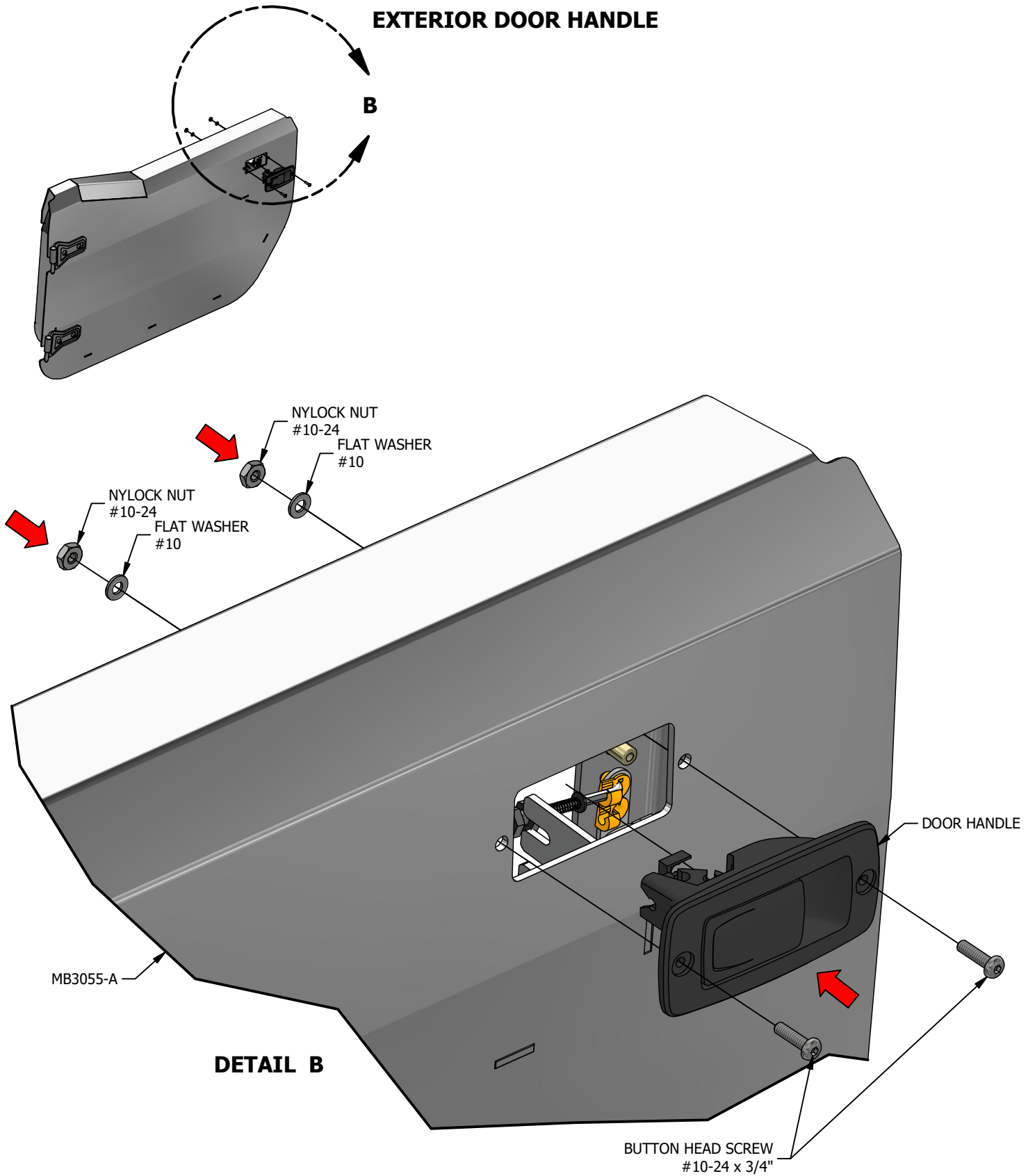


- FLAT WASHER  
1/4"
- HEX BOLT  
1/4"-20 x 3/4"



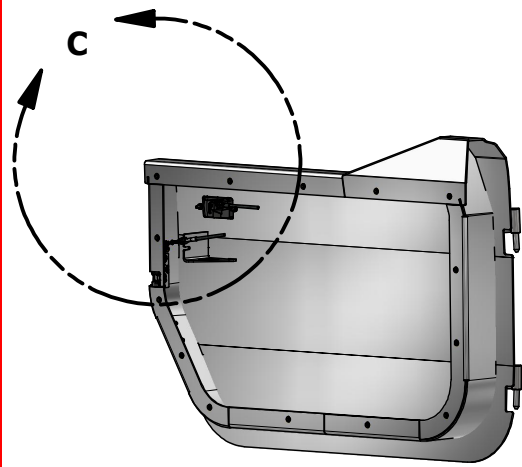
**DETAIL A**

**MB3055 - Assembly Instructions Front Half Door JK/JKU**

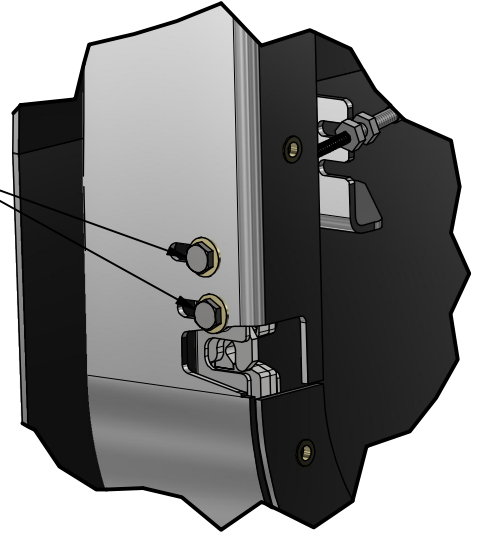


**MB3055 - Assembly Instructions Front Half Door JK/JKU**

**EXTERIOR DOOR HANDLE**



DOOR LATCH  
ADJUSTMENT BOLTS



ONCE INSTALLED ADJUST THE  
CABLE SO IT WILL RELEASE THE  
DOOR LATCH MECHANISM WHEN  
PULLED.

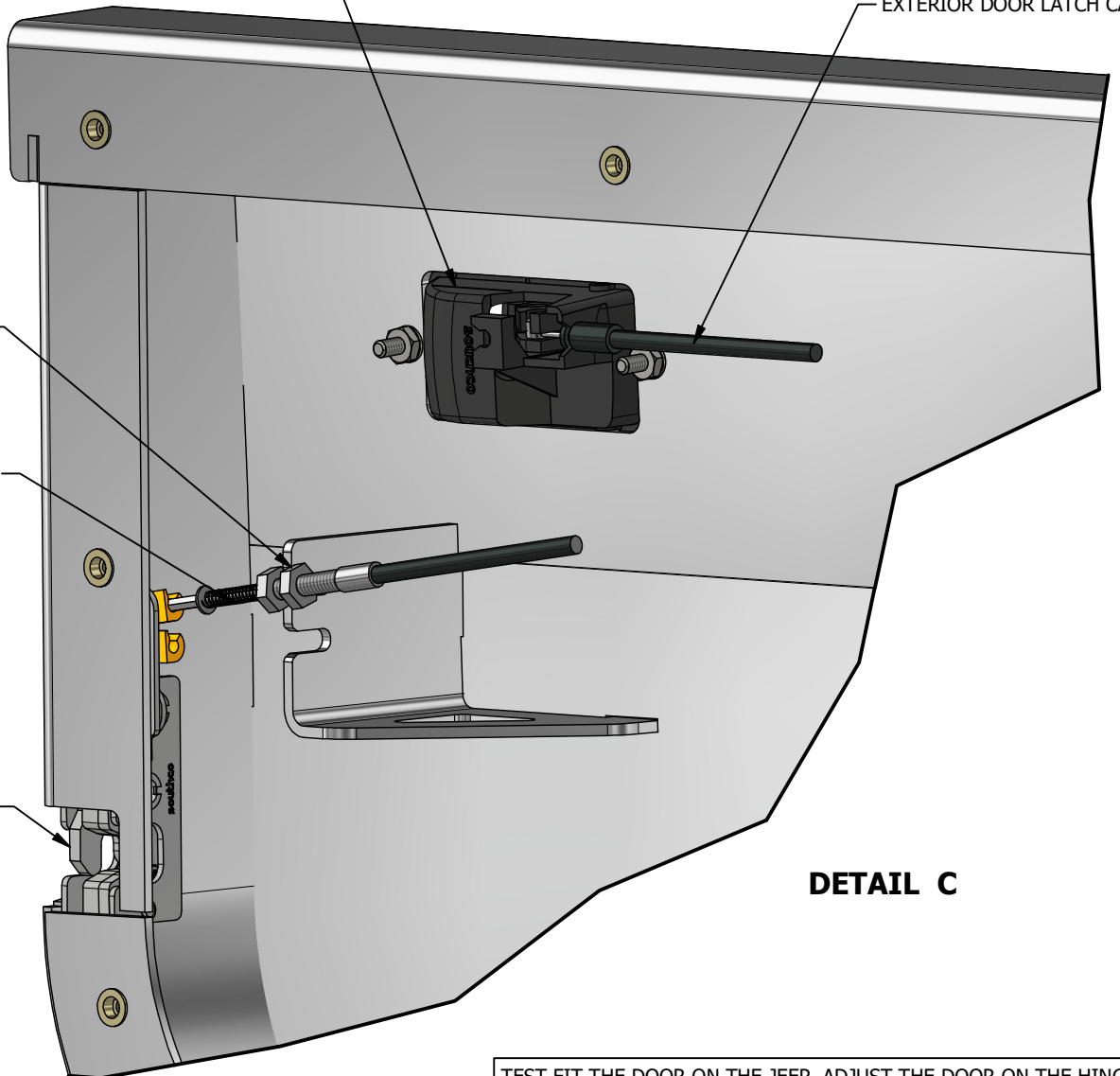
EXTERIOR DOOR HANDLE

EXTERIOR DOOR LATCH CABLE

INSERT THE EXTERIOR DOOR  
CABLE INTO THE SLOT ON THE  
DOOR CABLE BRACKET. USE THE  
JAM NUTS TO SECURE THE CABLE  
TO THE BRACKET

EXTERIOR DOOR LATCH CABLE

DOOR LATCH  
MECHANISM



**DETAIL C**

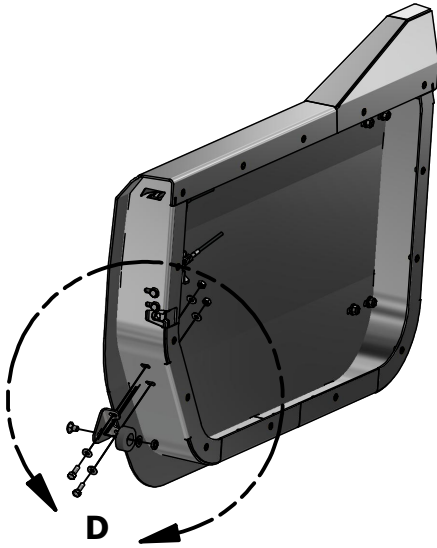
TEST FIT THE DOOR ON THE JEEP. ADJUST THE DOOR ON THE HINGES  
SO THERE IS AN EVEN REVEAL AROUND THE DOOR AND JEEP BODY.  
NEXT ADJUST THE DOOR LATCH SO IT OPENS AND CLOSES PROPERLY.

**MB3055 - Assembly Instructions Front Half Door JK/JKU**

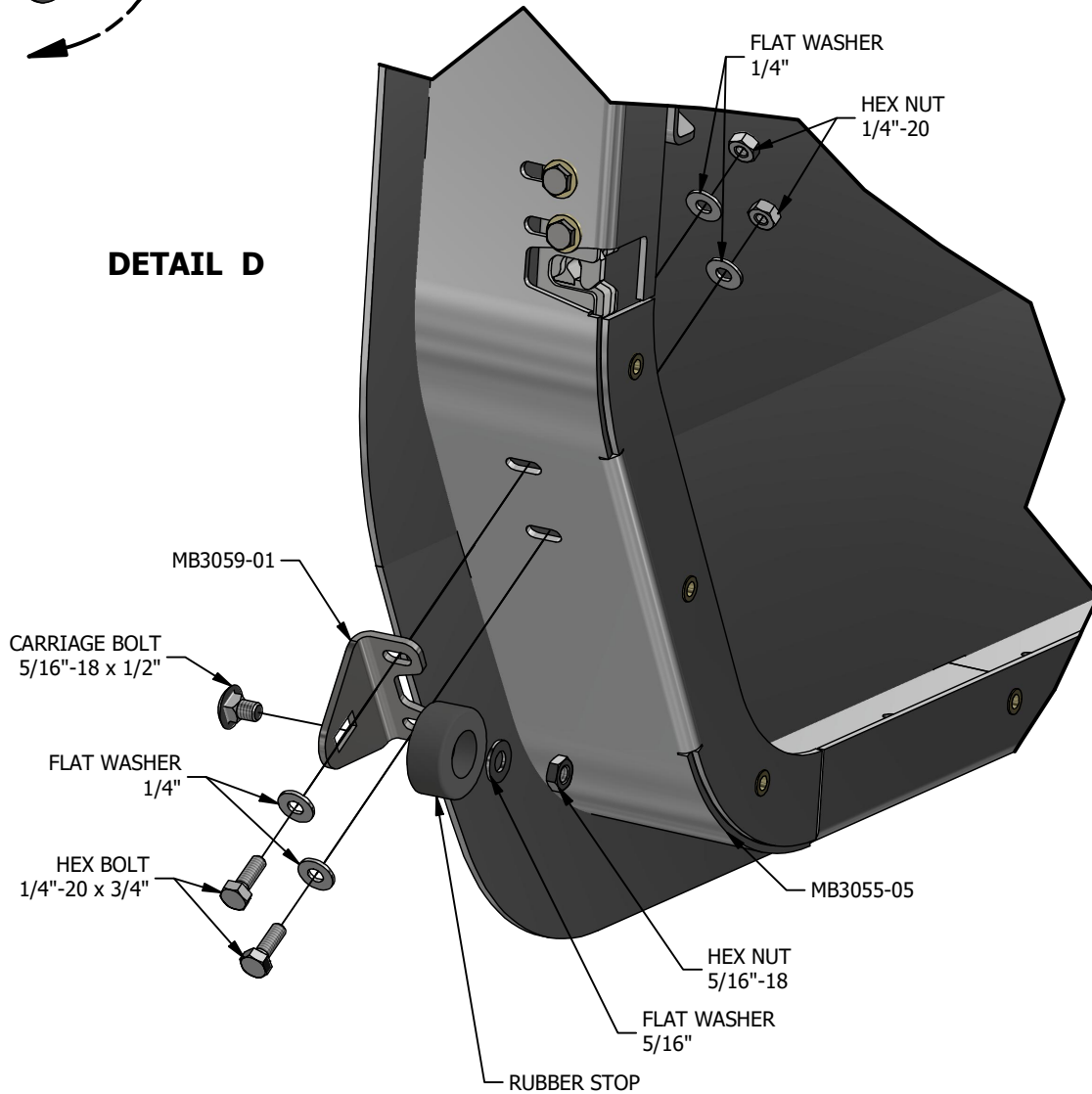
**DOOR BUMP STOP**

**POSITIONING THE BUMP STOP**

INSTALL THE DOOR BUMP STOP TO THE DOOR, BUT DO NOT FULLY TIGHTEN THE BOLTS HOLDING THE DOOR BRACKET (MB3059-01) TO MB3055-05. STARTING WITH THE MB3059-01 POSITIONED TOWARDS THE INTERIOR, GENTLY CLOSE THE DOOR SO THE DOOR STOP SLIDES INTO PLACE. NEXT OPEN THE DOOR AND SLIDE THE BRACKET (MB3059-01) TOWARDS THE INTERIOR OF THE VEHICLE SO THERE IS SUFFICIENT PRE-LOAD ON THE DOOR WHEN CLOSED.

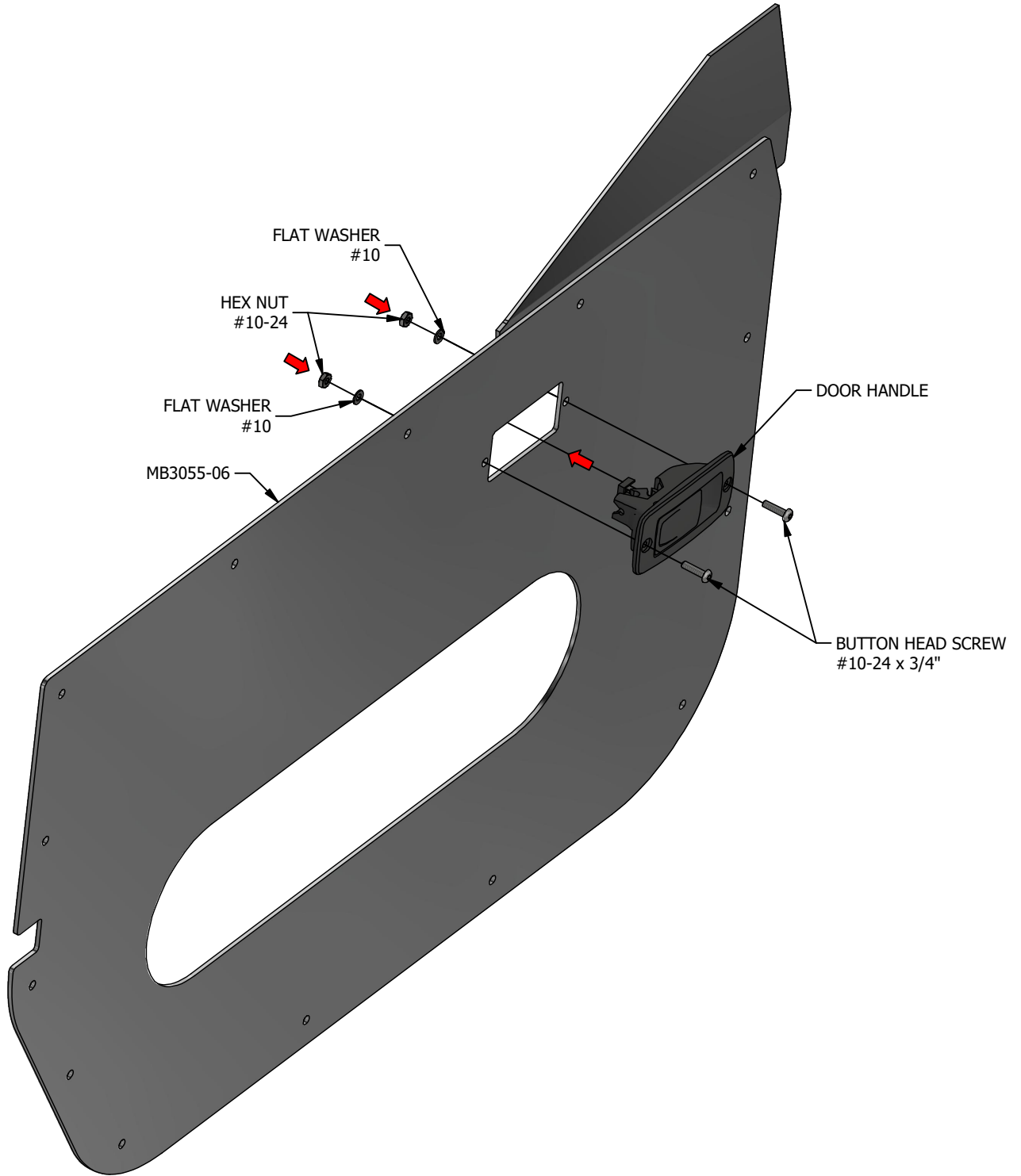


**DETAIL D**



**MB3055 - Assembly Instructions Front Half Door JK/JKU**

**INTERIOR DOOR HANDLE**





**MB3055 - Assembly Instructions Front Half Door JK/JKU****DOOR INTERIOR**

INSTALL THE CABLE TO THE INTERIOR DOOR HANDLE AND DOOR LATCH. ADJUST THE CABLE SO LATCH OPENS THE DOOR LATCH.

MB3055-01

MB3055-06

BUTTON HEAD SCREW  
#10-24 x 3/4"

AFTER THE CABLE IS INSTALLED AND ADJUSTED, FASTEN THE INTERIOR DOOR PANEL (MB3055-06) TO THE EXTERIOR PANEL USING FOURTEEN (14) #10-24 x 3/4" BUTTON HEAD SCREWS.

ADJUST DOOR CABLE TENSION BY ADJUSTING THE JAM NUTS