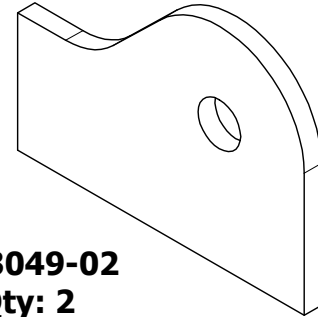


**MB3049-01**  
**Qty: 1**



**MB3049-02**  
**Qty: 2**



Dwg/Part No:  
**MB3049 - Shipping**  
Description:  
**Rear UCA Mount**

Sheet No: **1** of **1**  
Rev No: **0**

Mat'l: