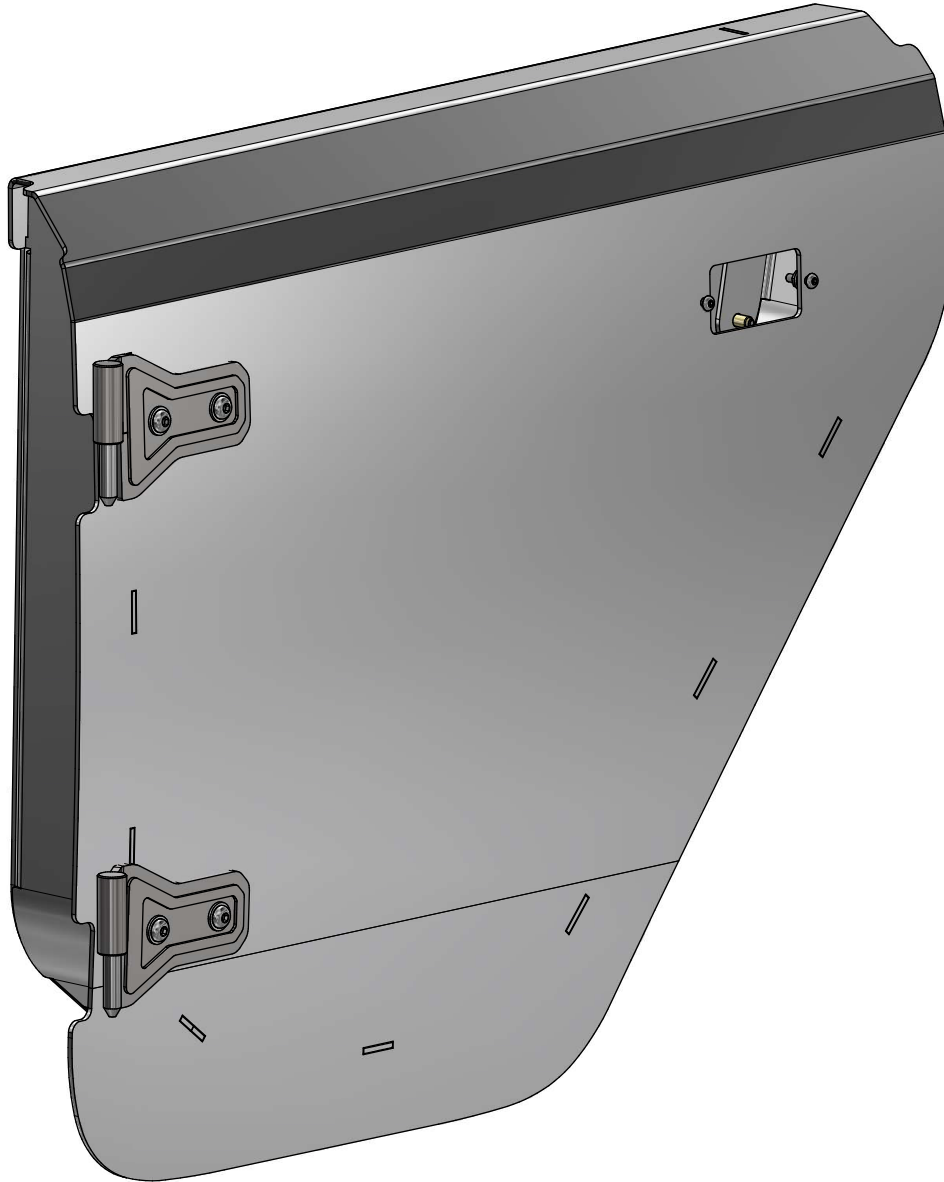


MB3043 - Assembly Instructions Rear Half Doors JL/JLU/JT

MB3043 - REAR HALF DOORS

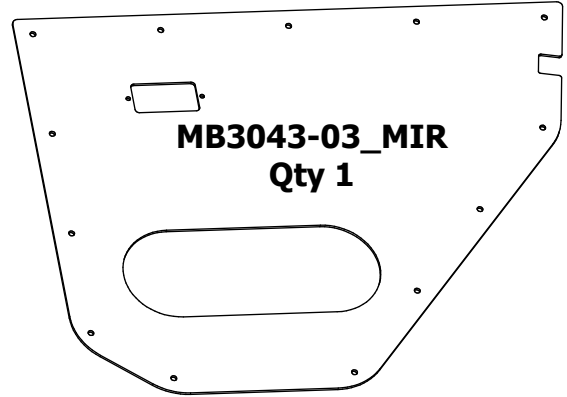
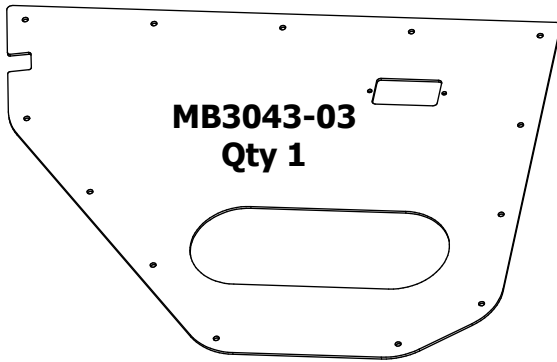
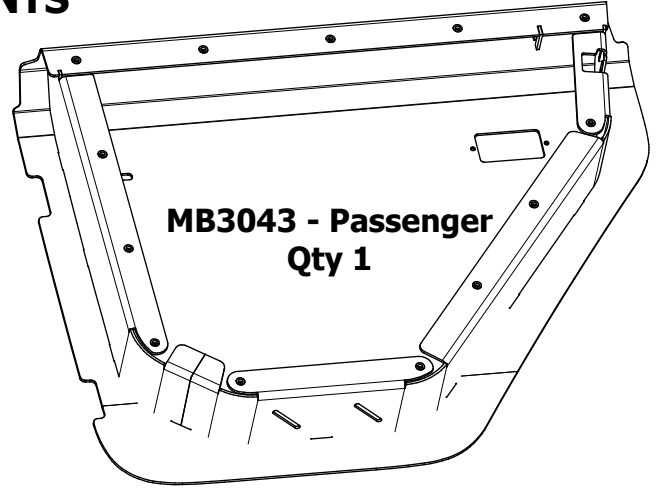
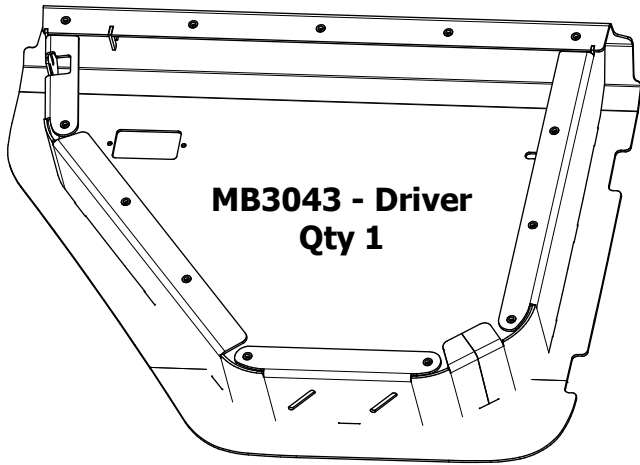
COMPATIBLE WITH JEEP JL/JLU & JT GLADIATOR



ASSEMBLY INSTRUCTIONS

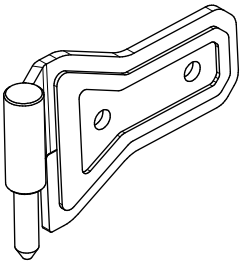
MB3043 - Assembly Instructions Rear Half Doors JL/JLU/JT

CONTENTS

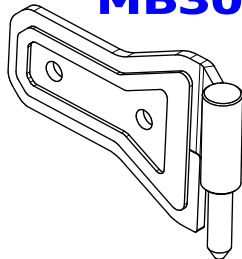


BAG LABELED AS

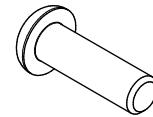
MB3043-KIT01



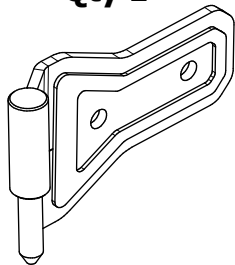
MB3064-JLT
Hinge, Upper Driver
Qty 1



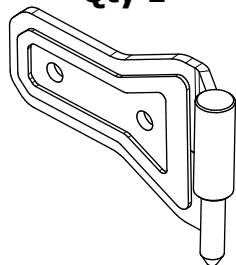
MB3064-JLT_MIR
Hinge, Upper Passenger
Qty 1



Round Head Screw, Stainless
5/16"-18 UNC x 1.00" Long
Qty 8



MB3064-JLB
Hinge, Lower Driver
Qty 1



MB3064-JLB_MIR
Hinge, Lower Passenger
Qty 1



Flat Washer, Stainless
5/16"
Qty 16

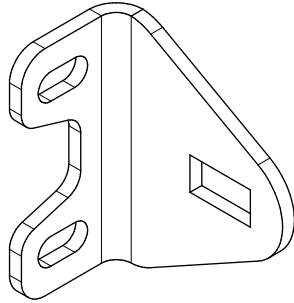


Nylock Nut, Stainless
5/16" UNC
Qty 8

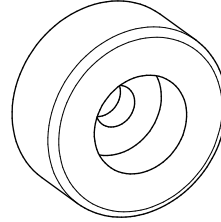
MB3043 - Assembly Instructions Rear Half Doors JL/JLU/JT

CONTENTS

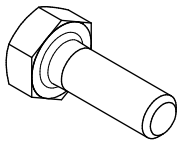
BAG LABELED AS
MB3043-KIT02



MB3059-01
Qty 2



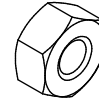
Rubber Bumper
Qty 2



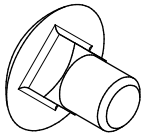
Hex Bolt
1/4"-20 UNC x 3/4" Long
Qty 4



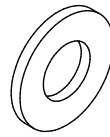
Flat Washer
1/4"
Qty 8



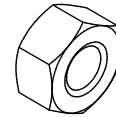
Nylock Nut
1/4"-20 UNC
Qty 4



Carriage Bolt
5/16"-18 UNC x 3/4" Long
Qty 2

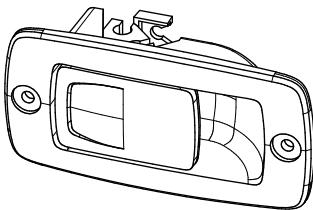


Flat Washer, Stainless
5/16"
Qty 2

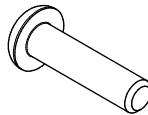


Nylock Nut, Stainless
5/16"-18 UNC
Qty 2

BAG LABELED AS
MB3043-KIT03



Paddle Actuator
Qty 4



Round Head Screw
#10-24 x 3/4" Long
Qty 34



Flat Washer
M6
Qty 8



Nylock Nut
#10-24 UNC
Qty 8

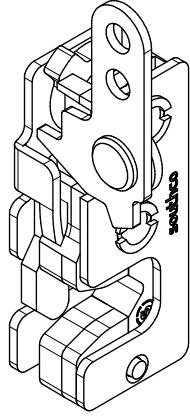


Release Cable
Qty 4

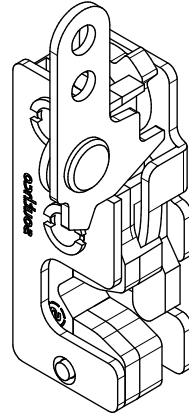
MB3043 - Assembly Instructions Rear Half Doors JL/JLU/JT

CONTENTS

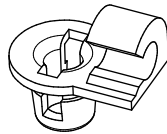
BAG LABELED AS
MB3043-KIT04



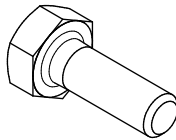
**Rotary Latch
Driver Side Door
Qty 1**



**Rotary Latch
Passenger Side Door
Qty 1**



**Cable Retainer
Qty 4**



**Hex Bolt
1/4"-20 UNC x 3/4" Long
Qty 4**



**Flat Washer
1/4"
Qty 4**

MB3043 - Assembly Instructions Rear Half Doors JL/JLU/JT

ASSEMBLY - STEP 1

HINGE NOTE:

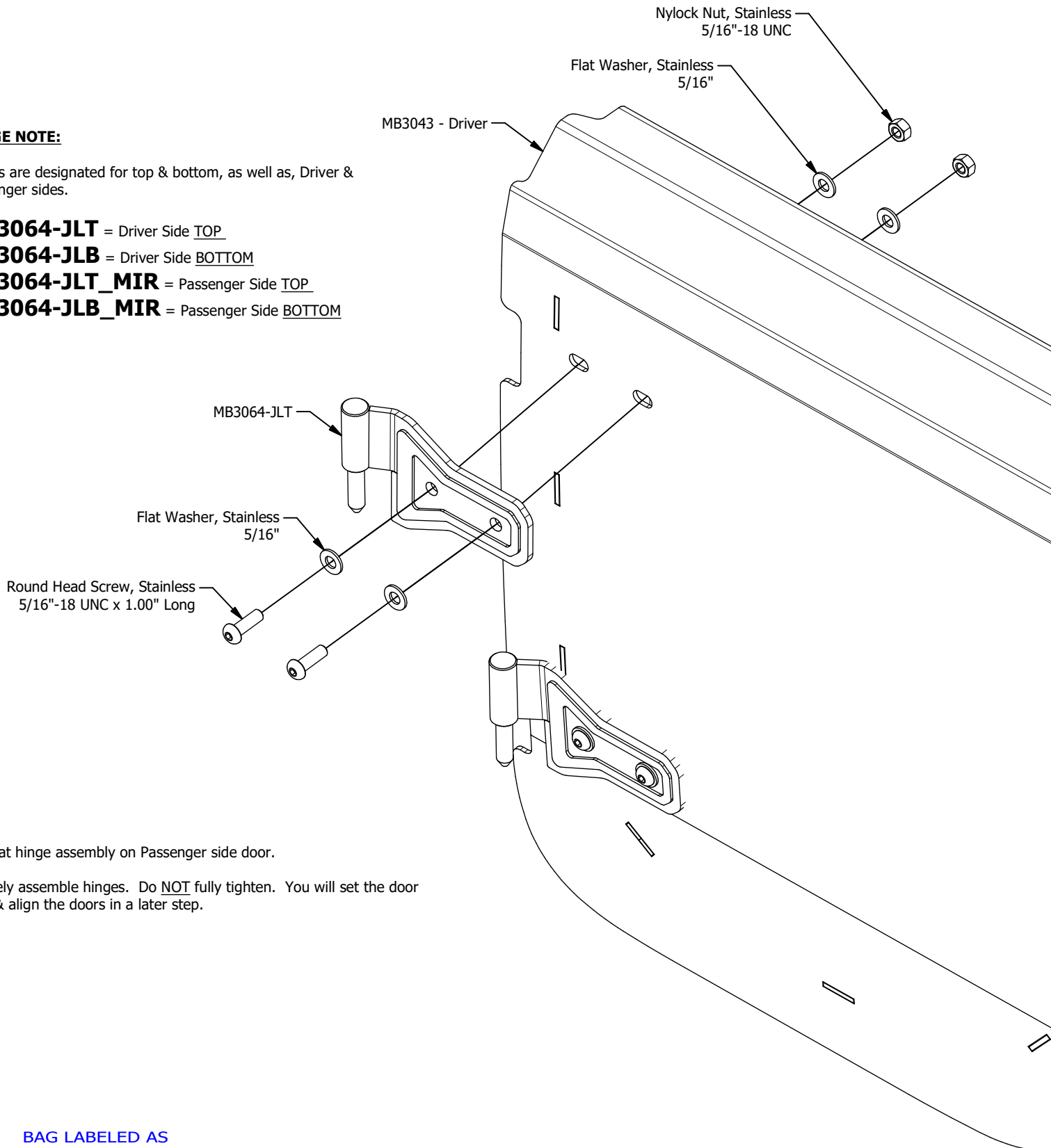
Hinges are designated for top & bottom, as well as, Driver & Passenger sides.

MB3064-JLT = Driver Side TOP

MB3064-JLB = Driver Side BOTTOM

MB3064-JLT_MIR = Passenger Side TOP

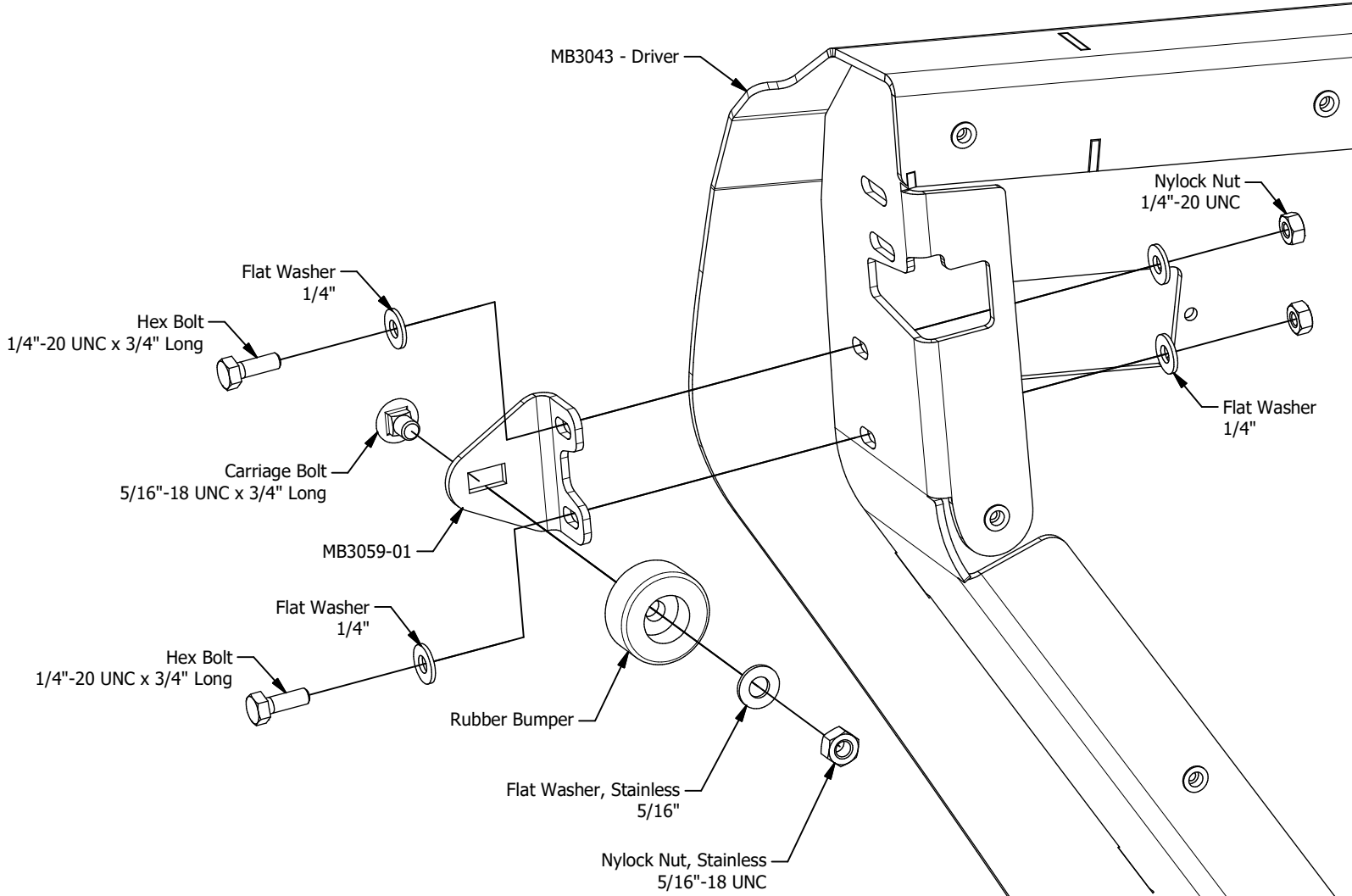
MB3064-JLB_MIR = Passenger Side BOTTOM



Repeat hinge assembly on Passenger side door.

Loosely assemble hinges. Do NOT fully tighten. You will set the door gap & align the doors in a later step.

BAG LABELED AS
MB3043-KIT01

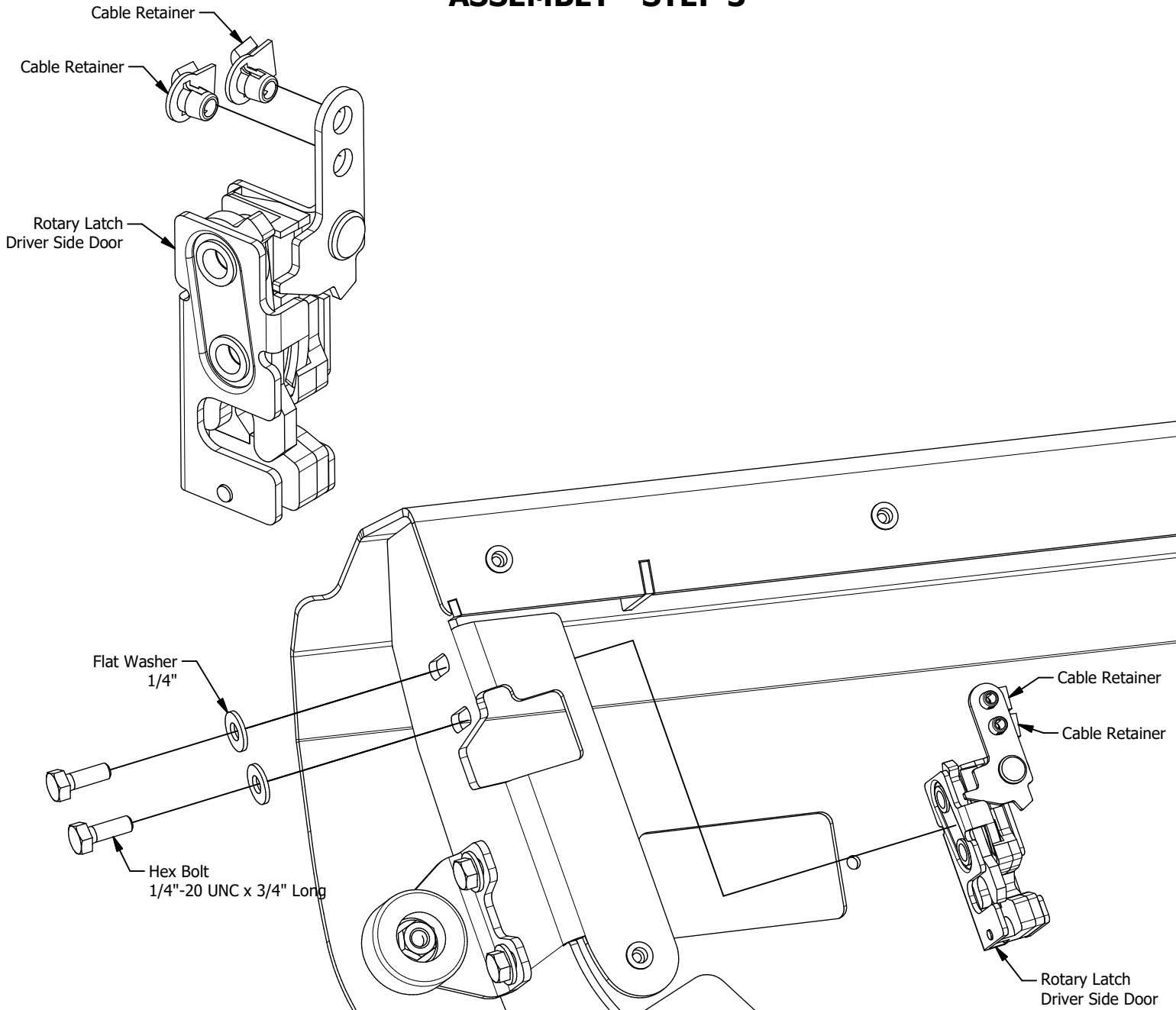
MB3043 - Assembly Instructions Rear Half Doors JL/JLU/JT
ASSEMBLY - STEP 2


Repeat rubber bumper assembly on Passenger side door.

Tighten the fasteners for the rubber bumper.

Loosely assemble brackets. Do **NOT** fully tighten. You will set rubber bumper bracket depth after setting the door hinges & door gaps.

BAG LABELED AS
MB3043-KIT02

MB3043 - Assembly Instructions Rear Half Doors JL/JLU/JT
ASSEMBLY - STEP 3


Repeat latch assembly on Passenger side door.

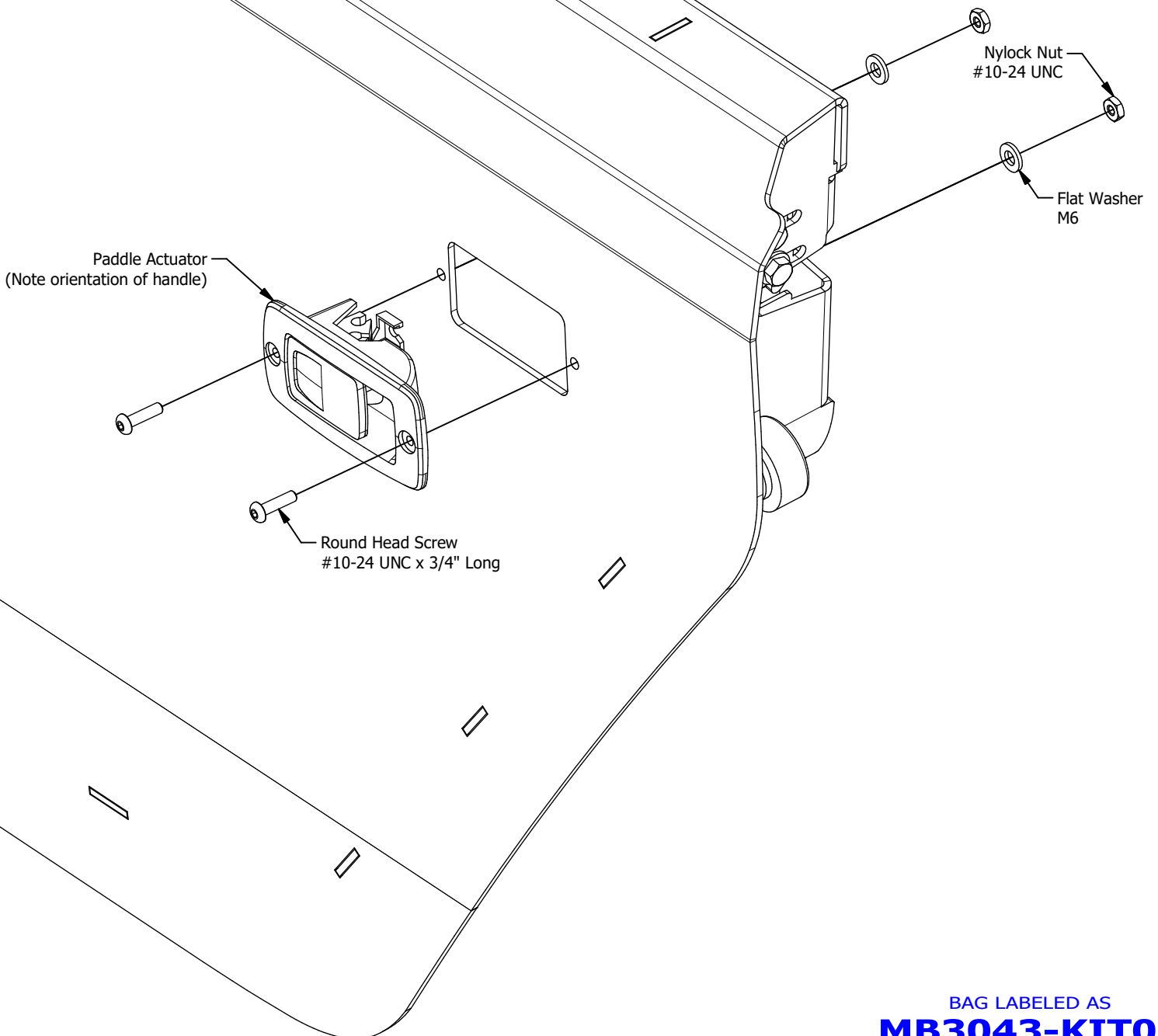
Loosely assemble latches. Do NOT fully tighten. You will set the depth after setting the door hinges & door gaps.

BAG LABELED AS
MB3043-KIT04

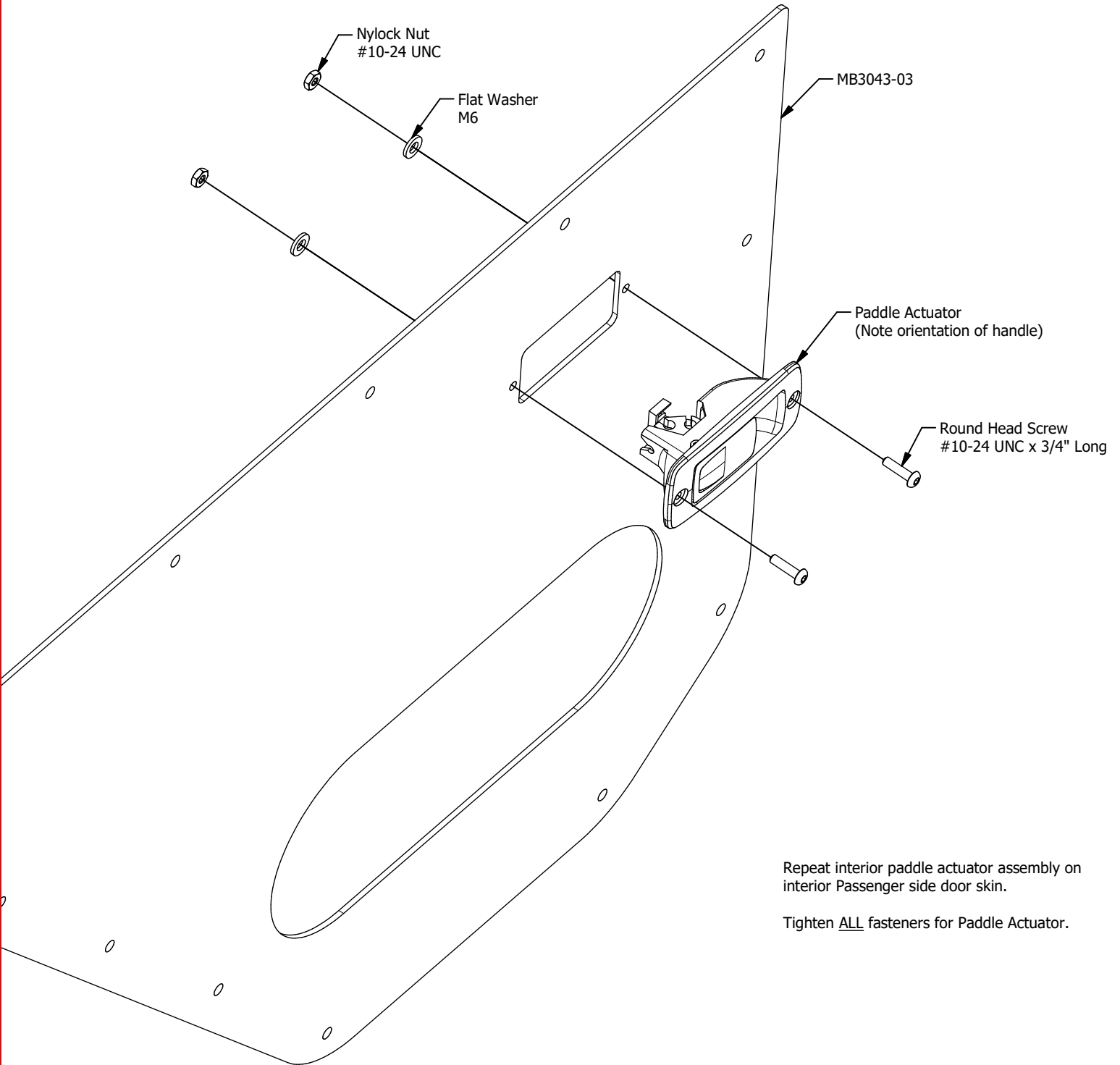
MB3043 - Assembly Instructions Rear Half Doors JL/JLU/JT**ASSEMBLY - STEP 4**

Repeat exterior paddle actuator assembly on Passenger side door.

Tighten ALL fasteners for Paddle Actuator.



BAG LABELED AS
MB3043-KIT03

MB3043 - Assembly Instructions Rear Half Doors JL/JLU/JT**ASSEMBLY - STEP 5**

BAG LABELED AS
MB3043-KIT03

MB3043 - Assembly Instructions Rear Half Doors JL/JLU/JT**ASSEMBLY - STEP 6**

Adjust nuts on cables & test paddle actuators. After all cables are adjusted & paddle actuators function easily, you are ready to install the inner door skin to the exterior door weldment.

Attached lower cable to lower hole in rotary latch then to paddle actuator on inner door skin

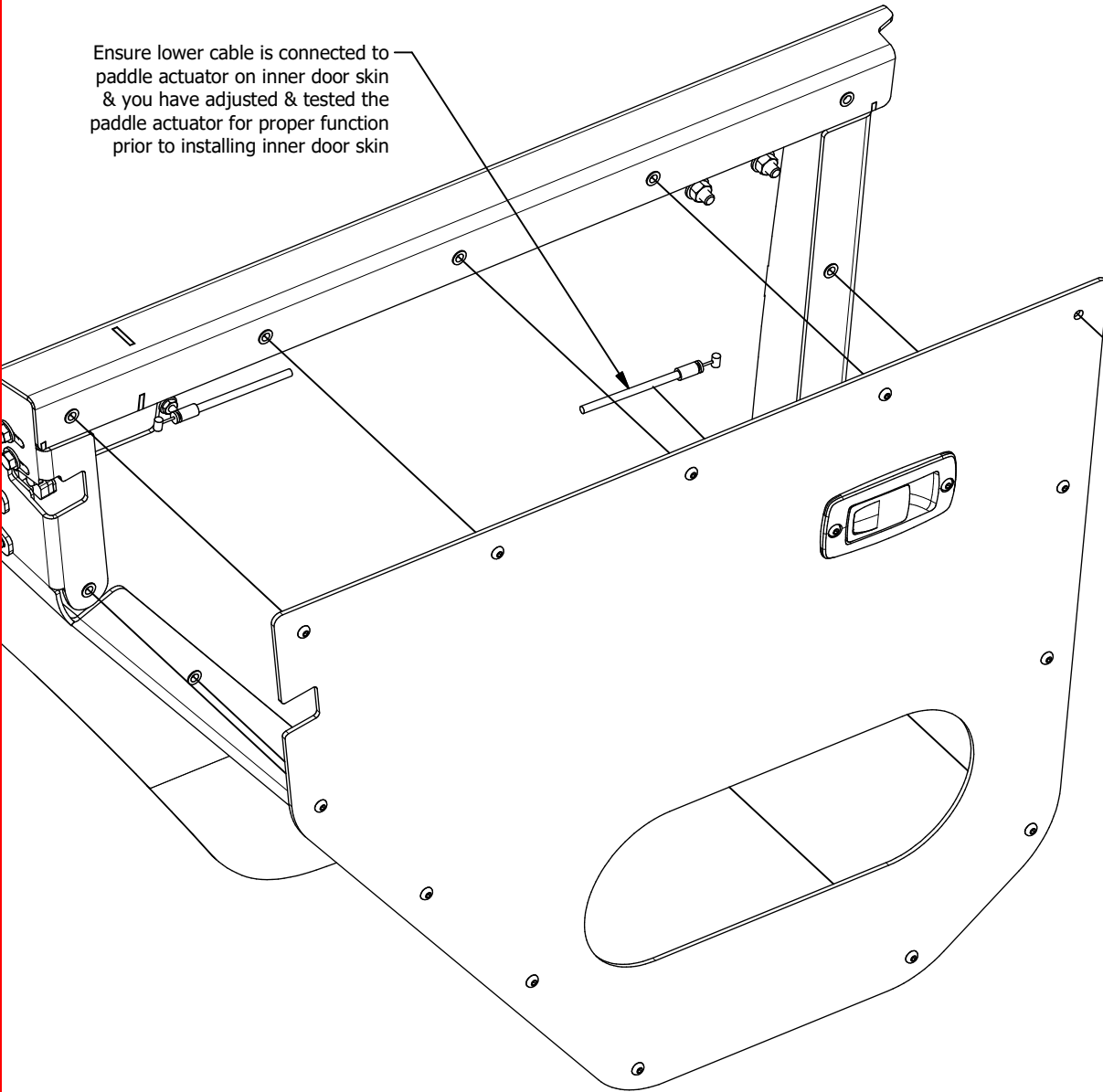
Attach upper cable to top hole in rotary latch then to exterior paddle actuator

BAG LABELED AS
MB3043-KIT03

MB3043 - Assembly Instructions Rear Half Doors JL/JLU/JT**ASSEMBLY - STEP 7**

Ensure lower cable is connected to paddle actuator on inner door skin & you have adjusted & tested the paddle actuator for proper function prior to installing inner door skin

Round Head Screw
#10-24 UNC x 3/4" Long



BAG LABELED AS
MB3043-KIT03

MB3043 - Assembly Instructions Rear Half Doors JL/JLU/JT

ASSEMBLY - STEP 8

FINAL ASSEMBLY & ADJUSTMENT

1. Ensure hinge bolts are loose
2. Place assembled half door on vehicle door hinges
3. Close the door & view the door from the side of the vehicle
4. Adjust the door to ensure there is an even reveal & gaps from left to right & top to bottom
5. With the door remaining closed, tighten the hinges bolts
6. Open the door & adjust the rotary latch fasteners as well as the rubber bumper so that the door latches smoothly & the door sits flush with the outer body

