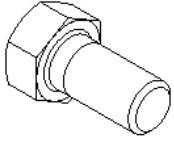
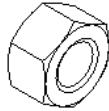


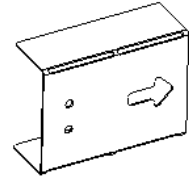
MB3034 TJ-LJ Front Half Kit Contents



HEX BOLT
7/16" UNC x 1.0" GRADE 8 ZINC
QTY 2



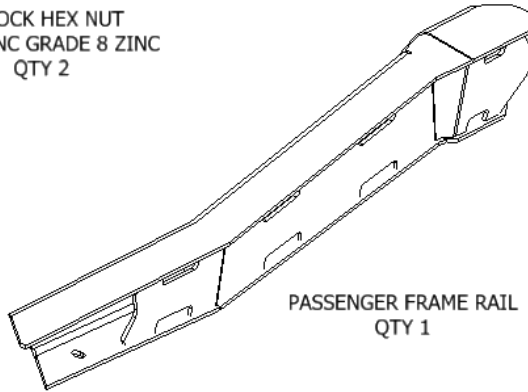
NYLOCK HEX NUT
7/16" UNC GRADE 8 ZINC
QTY 2



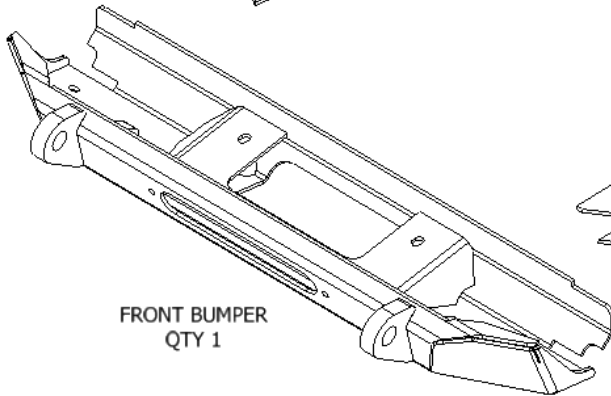
Cutting Jig for Frame
(Shipped Flat - Bend by hand as shown)



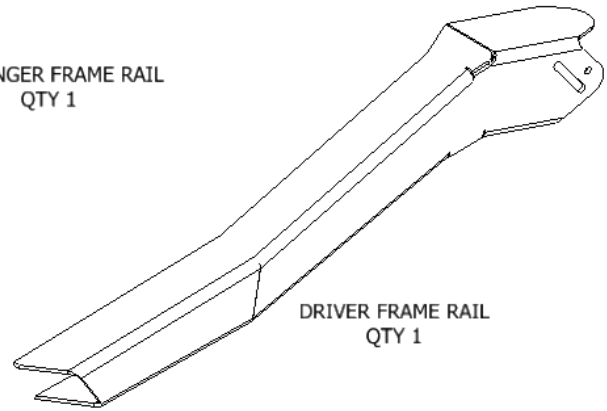
#MB3034-11
FRAME RAIL PLATES
QTY 2



PASSENGER FRAME RAIL
QTY 1



FRONT BUMPER
QTY 1



DRIVER FRAME RAIL
QTY 1

MB3034 TJ-LJ Front Half Kit – Installation Instructions**NOTE:**

These instructions are shown with a Jeep TJ with an aftermarket engine. Stock motor mounts will be in different locations.

- 1** Place frame on jack stands.
- 2** Disconnect & remove the battery.
- 3** Remove front brake hoses & brake lines.
- 4** Remove front suspension, steering components & front axle.
- 5** Remove (or raise) hood, remove front fenders, remove radiator, remove grill & move all brackets/hoses/wiring in the engine compartment exposing the front portion of the stock frame, as shown in the photo to the right.



- 6** Support engine & transmission. Aftermarket engine with aftermarket motor mounts shown.
- 7** Level the underside of the factory frame both fore & aft as well as side to side.
- 8** Grind paint on frame in locations shown in photo to the left.

MB3034 TJ-LJ Front Half Kit – Installation Instructions

- 9** Using the threaded hole in the frame as a guide, draw a line through the existing brake line mounting hole, making the line perpendicular to the frame, as shown in the photo below. Note: passenger side shown.



- 10** Measure & mark 4-1/2" from the line towards the front of the vehicle. Note: passenger side shown.

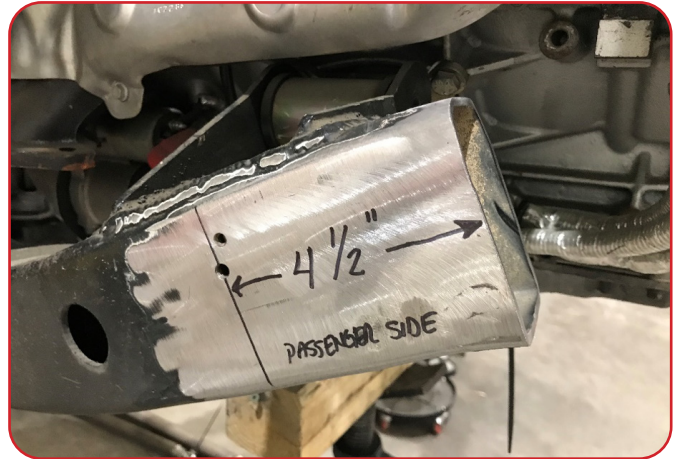
- 11** Draw a perpendicular line to indicate the CUT LINE.

- 12** Repeat Steps 8 thru 10 on opposite side of frame



MB3034 TJ-LJ Front Half Kit – Installation Instructions

- 13** Cut frame at both CUT LINES. Remove all sharp edges.



- 14** The frame rails supplied with the kit include alignment holes which align with the threaded holes shown in the above photo. Slide the frame rails sections over the frame (as shown LEFT) until these holes line up. Reuse factory brake line bracket bolts.

- 15** Place the bumper on the left & right frame rails by rotating the front edge down and sliding it onto the frame rails. Lift the front face of the bumper into its final position. There are mounting holes located on the underside of the frame rails & the underside of the bumper. Use the 7/16" hex bolts & nuts supplied with the kit to fasten the bumper to the frame rails.



MB3034 TJ-LJ Front Half Kit – Installation Instructions

- 16** Level & plumb the front bumper with the frame. Tack weld throughout.



- 17** Install plates #MB3034-11 in the open inside frame rail section (one plate left front inside frame rail, one part right front inside frame rail). Tack weld.



MB3034 TJ-LJ Front Half Kit – Installation Instructions

- 18** Once you are satisfied with your plumb, level & squareness of the install frame components, fully weld at all remaining joints. Paint as desired.

**NOTE:**

You will have to fabricate new front upper shock mounts. You may have to notch your grill around the new frame rails. You may require an aftermarket radiator.